

PRODUCT INFORMATION PACKET



Model No: DL1076

Catalog No: DL1076

Fan and Blower Motor, 3/4 HP, 1 Ph, 60 Hz, 115 V, 1075 RPM, 3 Speed, 48 Frame, OPEN



Regal and Century are trademarks of Regal Rexnord Corporation or one of its affiliated companies.
©2022 Regal Rexnord Corporation, All Rights Reserved. MC017097E





Nameplate Specifications

Output HP	3/4 Hp	Output KW	0.56 kW
Frequency	60 Hz	Voltage	115 V
Current	9.5 A	Speed	1075 rpm
Service Factor	1	Phase	1
Efficiency	61 %	Duty	Air Over
Insulation Class	B	Frame	48
Enclosure	Open Enclosed	Thermal Protection	Automatic
Ambient Temperature	50 °C	UL	Recognized
CSA	Y	CE	N
Number of Speeds	3		

Technical Specifications

Electrical Type	Permanent Split Capacitor	Starting Method	Across The Line
Poles	6	Rotation	Reversible
Mounting	Resilient Rings	Motor Orientation	Any
Drive End Bearing	Ball	Opp Drive End Bearing	Ball
Frame Material	Rolled Steel	Shaft Type	Flat
Overall Length	10.61 in	Frame Length	5.00 in
Shaft Diameter	0.500 in	Shaft Extension	4.5 in
Outline Drawing	DL1076_FA	Connection Drawing	614131-151

This is an uncontrolled document once printed or downloaded and is subject to change without notice. Date Created:11/29/2022

GENERAL INFORMATION:

SHAFT RUNOUT: .001 [.03] T.I.R. PER INCH LENGTH OF EXTENSION

BEARINGS: BALL

MOUNTING POSITION: ANY ANGLE

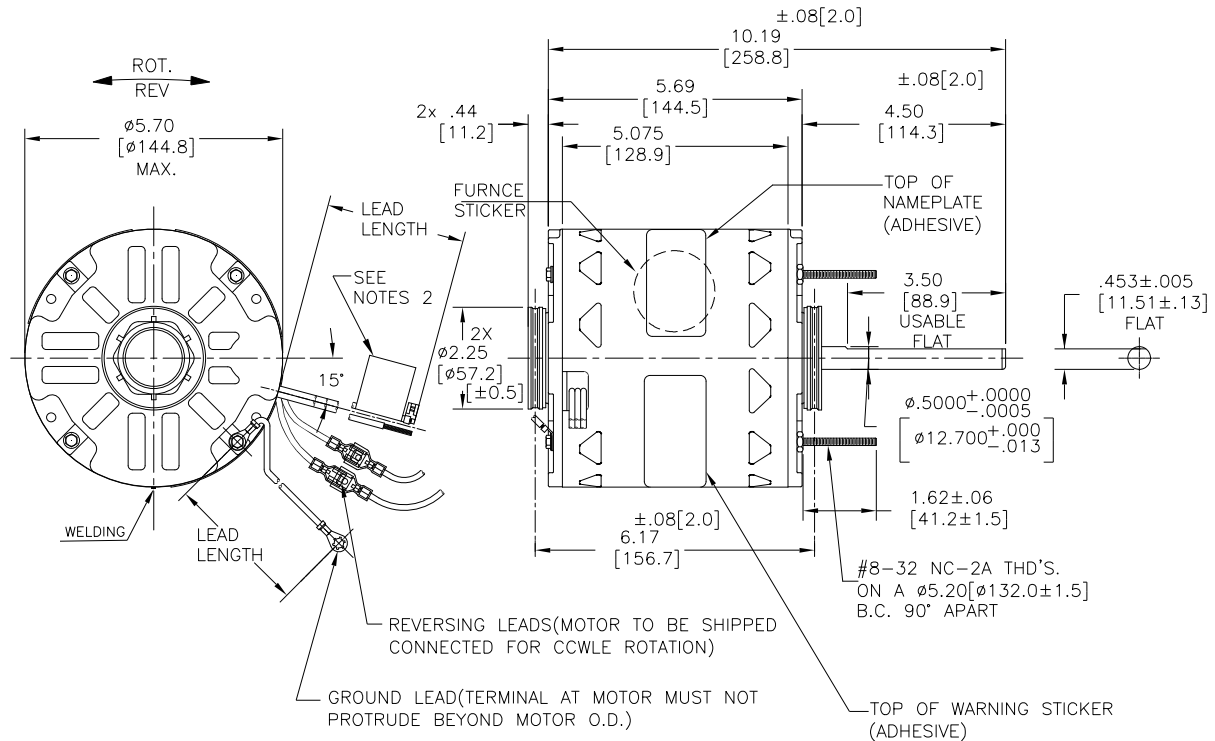
ELECTRICAL DATA:

OVERLOAD PROTECTOR: AUTOMATIC RESET (T.I. 7AM 036)

LINE LEADS: NO. 18 GA., .03 [.8] THK., 125°C INSUL.

REVERSING LEADS: NO. 18 GA., .03 [.8] THK., 125°C INSUL.

GROUND LEADS: NO. 18 GA., .03 [.8] THK., (GREEN) INSUL.



LEAD DATA		
COLOR	LENGTH	TERMINAL OR STRIP LENGTH
RED	26.0/28.0 [660/711]	.50[12.7] SKIN
BLUE	26.0/28.0 [660/711]	.50[12.7] SKIN
BLACK	26.0/28.0 [660/711]	.50[12.7] SKIN
WHITE	26.0/28.0 [660/711]	.50[12.7] SKIN
BROWN/WHITE	26.0/28.0 [660/711]	.25[6.4] FLAG
BROWN	26.0/28.0 [660/711]	.25[6.4] FLAG
PURPLE (REV)	4.5/5.5 [114/140]	.25[6.4] FEMALE INSUL. SPADE
ORANGE (REV)	4.5/5.5 [114/140]	.25[6.4] INSUL. MALE TAB
WHITE (REV)	4.5/5.5 [114/140]	.25[6.4] INSUL. MALE TAB
BROWN (REV)	4.5/5.5 [114/140]	.25[6.4] FEMALE INSUL. SPADE
GREEN (GRD)	12.0/13.0 [305/330]	10# EYELET

NOTES:

- SPLIT RING ADAPTOR 615035 (4 REQ'D) TO BE PACKED WITH EACH MOTOR.
- ATTACH WARNING/CONNECTION LABEL TO COMMON (WHITE) LEAD APPROX. 2.0[51] FROM MOTOR (ADHESIVE)
- ALL LABEL READ FROM LE.
- SPRING SHIM/THRUST WASHER IN OLE SIDE.

REGAL-BELOIT CORPORATION (RBC) PROVIDES TECHNICAL ASSISTANCE TO OUR CUSTOMERS IN SEVERAL AREAS. SINCE RBC DOES NOT RECEIVE ALL DATA CONCERNING THE USE AND APPLICATION OF THE MOTOR, THE SUITABILITY OF THE MOTOR FOR THE APPLICATION MUST BE DETERMINED BY THE CUSTOMER.

DIMENSIONS WITHOUT TOLERANCES ARE FOR REFERENCE ONLY.

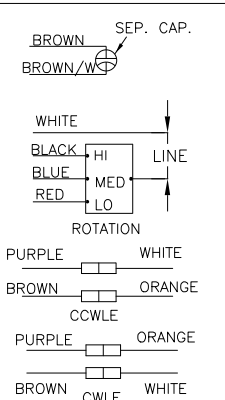
ENCLOSURE	
END FRAME - LE	OPEN
MAIN FRAME - LE	OPEN
END FRAME - OLE	OPEN
MAIN FRAME - OLE	OPEN

CUSTOMER	DISTRIBUTION SERVICES
----------	-----------------------

SAMPLE SM19-509
NAMEPLATE DATA:

MODEL NO.: 5KCP39PGDD702S
CUST. P/N: DL1076
HP: 3/4
ROT: REVERSIBLE
RPM: 1075/3 SPD.
TYPE: UF
FRAME: 48Y
VOLTS: 115
PH: 1
AMPS: 9.5
HZ: 60
INS: B
AMB: 50 °C
DUTY: AIR OVER
CAP.: 15 MFD/370V
THERMALLY PROTECTED

EXTERNAL CONNECTION DIAGRAM

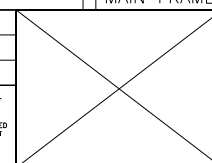


D0000607-001

MADE IN INDIA



DRAWING REVISION	REVISION BY	DATE
D	MG	06-04-22
ECO	APPROVED BY	DATE
ECR-0216723	LS	06-04-22
ECO DESCRIPTION		
Endshield view updated and Endplay removed from general information		
<small>COPYRIGHT REGAL BELLOIT AMERICA, INC. ALL RIGHTS RESERVED. PROPRIETARY AND CONFIDENTIAL INFORMATION - THIS DOCUMENT IS THE PROPERTY OF REGAL BELLOIT AMERICA, INC. (OWNER) AND CONTAINS OWNER'S PROPRIETARY INFORMATION. ANY REPRODUCTION OR OTHER FORM RECEIVING IT IS STRICTLY PROHIBITED. BY RECEIVING IT, TO AGREE THAT IT, AND/OR ANY PART OF IT, SHALL NOT BE DISCLOSED TO ANY PERSON, CORPORATION OR OTHER ENTITY, DUPLICATED, AND/OR USED, EXCEPT AS EXPRESSLY APPROVED IN WRITING IN ADVANCE BY OWNER. THIS DOCUMENT SHALL BE RETURNED TO OWNER UPON REQUEST. IT MAY BE SUBJECT TO CERTAIN RESTRICTIONS UNDER APPLICABLE EXPORT CONTROL LAWS AND REGULATIONS.</small>		

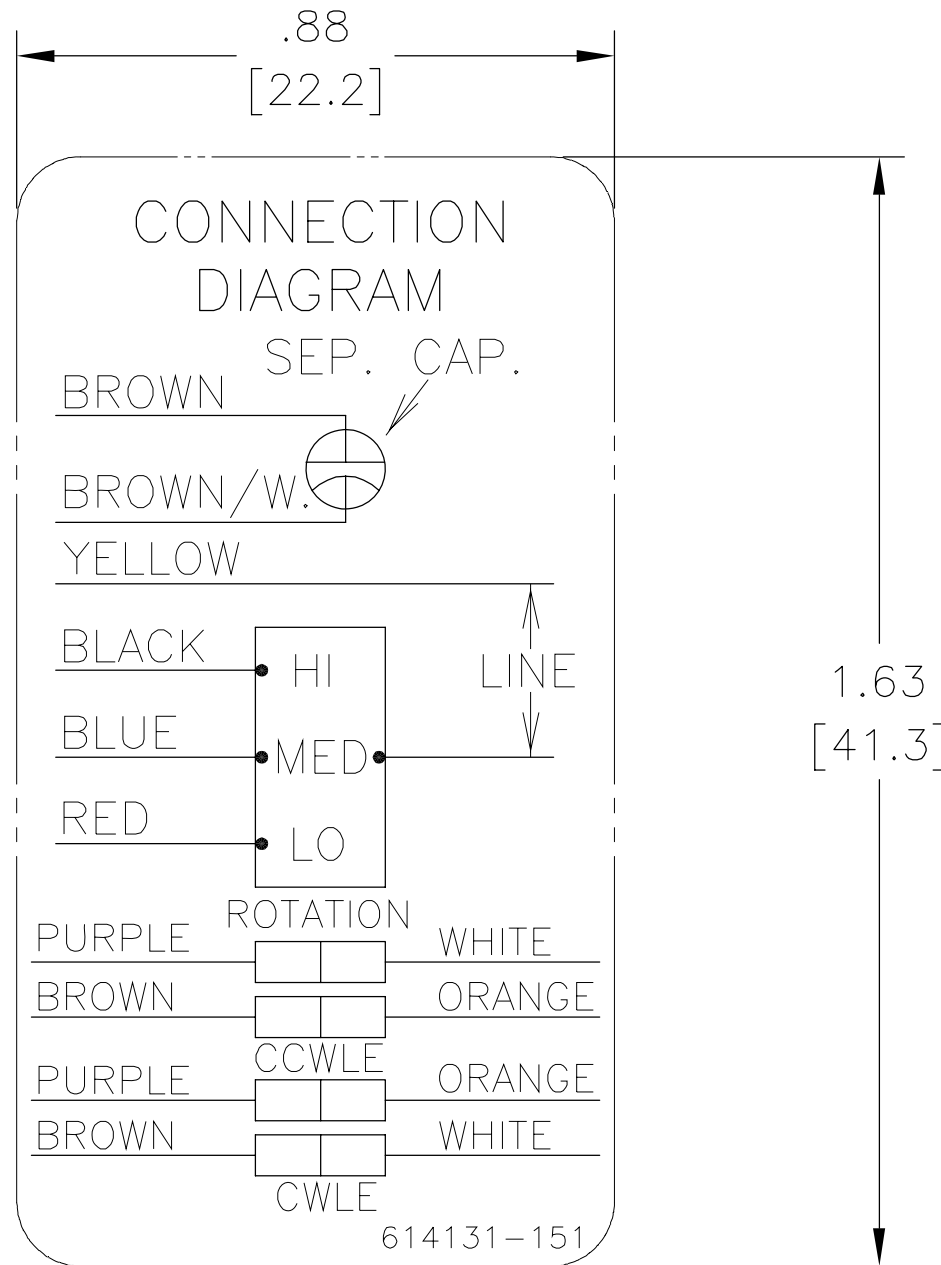


DRAWN BY:	DATE:	DATE:	DATE:
MK	20.01.20	20.01.20	20.01.20
APPROVED BY:	DATE:	DATE:	DATE:
LS	20.01.20	20.01.20	20.01.20
PROCESS/FINISH	MATERIAL	SIZE	DWG NO
THIRD ANGLE PROJECTION		C	DL1076_FA
DESCRIPTION			SHEET
MODEL-RFHP-48FR OUTLINE			1

REV	ECO	REV BY	DATE	APPD	DATE
C	0016999	A. NAJERA	03-17-2011	M. ARGUELLES	03-17-2011

NOTES:

1. FOR USE WITH 614129 NAMEPLATE BLANK
2. — — — — — INDICATES DIMENSIONAL LIMITS.
3. DIE TO BE MADE FROM MASTER SUPPLIED BY A.O. SMITH CORP.
4. DIE MUST PRODUCE A LEGIBLE IMPRESSION.



GEOMETRIC CHARACTERISTICS & SYMBOLS
 ▭ FLATNESS
 — STRAIGHTNESS
 < ANGLARITY
 ⊥ PERPENDICULARITY (SQUARENESS)
 // PARALLELISM
 ○ ROUNDNESS (CIRCULARITY)
 ⊘ CYLINDRICITY
 ∩ PROFILE OF ANY SURFACE
 ∪ PROFILE OF ANY LINE
 ↗ RUNOUT
 ⊕ TRUE POSITION
 ⊙ CONCENTRICITY
 = SYMMETRY

UNLESS OTHERWISE SPECIFIED
 DIM. TOLERANCES ARE AS FOLLOWS:
 INCH X XX XXX XXXX
 mm ±0.5 ±0.13 ±0.013
 ANG. ±.50 DEG
 REMOVE BURRS & BREAK SHARP EDGES:
 INCH .003-.015 mm 0.1-0.4
 CORNER FILLETS TO:
 INCH .020 mm 0.5
 MACHINE SURFACES:
 INCH 125 mm 3.2
 METRIC DIMS. SHOWN IN [BRACKETS]

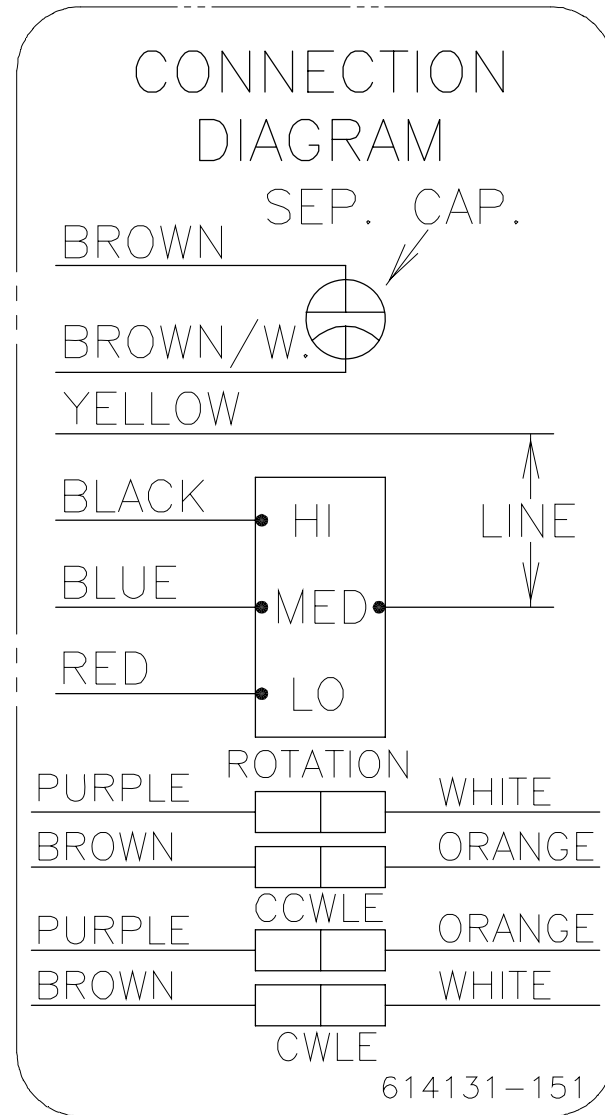
DR BY: JMW 09-29-89
 APPD:
 THIRD ANGLE PROJECTION
 EDS DATE 02-22-2008
 FORMAT REV F
 CONFIDENTIAL: THIS DRAWING AND ITS INFORMATION ARE THE EXCLUSIVE AND CONFIDENTIAL PROPERTY OF A.O. SMITH CORP. AND ARE NOT TO BE DISCLOSED, DUPLICATED, DISTRIBUTED OR OTHERWISE USED WITHOUT THE WRITTEN CONSENT OF A.O. SMITH CORP.
 -ALL RIGHTS RESERVED. ASME Y14.5M 1994

		ELECTRICAL PRODUCTS COMPANY <small>A DIVISION OF A. O. SMITH CORPORATION</small>	
DESCRIPTION CONN DIAGRAM NAMEPLATE			
SIZE A	DWG NO 614131-151		
SCALE NONE			SHEET 1

REVISION:	ECO	REVISADO POR:	FECHA:	APROBADO POR:	FECHA:
C	0016999	A. NAJERA	03-17-2011	M. ARGUELLES	03-17-2011

NOTAS:

1. PARA USAR CON LA PLACA DE DATOS BLANCA 614129
2. — — — — INDICA LOS LIMITES DIMENSIONALES.
3. EL DADO ES HECHO A PARTIR DEL ABASTECIMIENTO MAESTRO POR A.O. SMITH CORP.
4. EL DADO TIENE QUE SER FABRICADO CON UNA IMPRESION LEGIBLE.



CARACTERISTICAS DE GEOMETRIA Y SIMBOLOS
 ▽ PLANICIDAD
 — RECTITUD
 < ANGULARIDAD
 ⊥ PERPENDICULARIDAD (A ESCUADRA)
 // PARALELISMO
 ○ REDONDEZ (CIRCULARIDAD)
 ∅ CILINDRICIDAD
 ∩ PERFIL DE CUALQUIER SUPERFICIE
 ∪ PERFIL DE CUALQUIER LINEA
 ↗ VARIACION
 ⊕ POSICION REAL
 ⊙ CONCENTRICIDAD
 = SIMETRIA

A MENOS QUE SE ESPECIFIQUE DE OTRA MANERA, LAS TOLERANCIAS DE LAS DIMS; SON LAS SIGUIENTES:
 X XX XXX XXXX
 PULG ±.1 ±.02 ±.005 ±.0005
 mm ±0.5 ±0.13 ±0.013
 ANG. ±.50 GRADOS
 ELIMINAR REBABAS Y ORILLAS FILOSAS DEL BORDE.
 PULG .003-.015 mm 0.1-0.4
 FILETEAR ESQUINA: PULG .020 mm 0.5
 MAQUINAR SUPERFICIES
 PULG 125 mm 3.2
 DIMS METRICAS MOSTRADAS [PARENTESIS]

DIBUJADO POR: JMW 09-29-89
 APROBADO POR:
 TERCER ANGULO DE PROYECCION
 CONFIDENCIAL: ESTE DIBUJO Y SU INFORMACION SON PROPIEDAD DE USO EXCLUSIVO Y CONFIDENCIAL DE A.O.SMITH CORP. Y NO DEBERAN SER REVELADOS, DUPLICADOS, DISTRIBUIDOS O USARSE DE OTRA MANERA SIN EL CONSENTIMIENTO ESCRITO DE A.O. SMITH CORP. -TODOS LOS DERECHOS RESERVADOS.ASME Y14.5M 1994

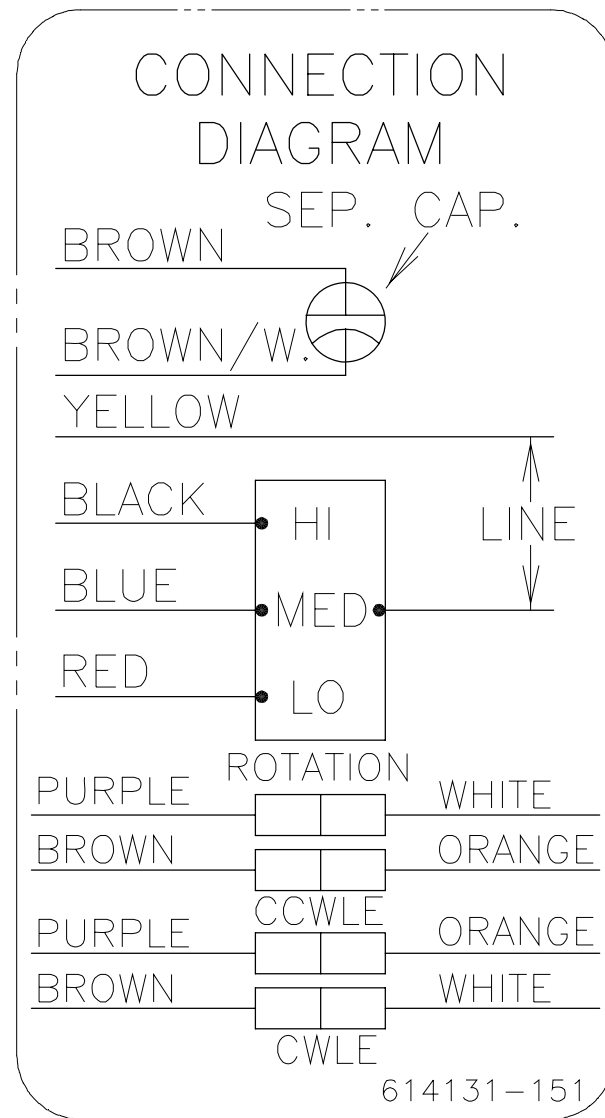
AC Smith **ELECTRICAL PRODUCTS COMPANY**
 Innovation has a name. A DIVISION OF A. O. SMITH CORPORATION

DESCRIPCION: CONN DIAGRAM NAMEPLATE

TAMAÑO: A NUMERO DE DIBUJO: 614131-151

ESCALA: NONE HOJA: 1

版本	ECO	编制	日期	批准	日期
C	0016999	A. NAJERA	03-17-2011	M. ARGUELLES	03-17-2011



- 形位公差
- 平面度
- 直线度
- ∠ 倾斜度
- ⊥ 垂直度
- // 平行度
- 圆度
- ⊘ 圆柱度
- △ 面轮廓度
- ∩ 线轮廓度
- ↗ 圆跳动
- ⊕ 位置度
- ◎ 同轴度
- ≡ 对称度

除另有注明
尺寸公差如下:

	X	XX	XXX	XXXX
英寸	±.1	±.02	±.005	±.0005
毫米	±0.5	±0.13	±0.013	

角度 ±.50 度
清理毛刺和尖棱
英寸 .003-.015 毫米 0.1-0.4
内圆角
英寸 .020 毫米 0.5
表面粗糙度
英制 125 米制 3.2

米制尺寸显示在 []

绘图:	JMW	09-29-89
批准:		
第三角投影		图纸格式发布日期 02-22-2008 图纸格式版本 F
机密: 本图纸及相关信息所有权归A. O. SMITH公司所有。未经A. O. SMITH公司书面授权, 不得泄露、复制、传播或作其他用途。—版权所有		
ASME Y14.5M 1994		

ELECTRICAL PRODUCTS COMPANY <small>Innovation has a name. A DIVISION OF A. O. SMITH CORPORATION</small>	
名称 CONN DIAGRAM NAMEPLATE	
图幅 A	图号 614131-151
比例 NONE	页号 1