

PRODUCT INFORMATION PACKET



Model No: DL1056

Catalog No: DL1056

Fan and Blower Motor, 1/2 HP, 1 Ph, 60 Hz, 115 V, 1075 RPM, 3 Speed, 48 Frame, OPEN



Regal and Century are trademarks of Regal Rexnord Corporation or one of its affiliated companies.
©2022 Regal Rexnord Corporation, All Rights Reserved. MC017097E





Nameplate Specifications

Output HP	1/2 Hp	Output KW	0.37 kW
Frequency	60 Hz	Voltage	115 V
Current	7.1 A	Speed	1075 rpm
Service Factor	1	Phase	1
Duty	Air Over	Insulation Class	B
Frame	48	Enclosure	Open Enclosed
Thermal Protection	Automatic	Ambient Temperature	40 °C
UL	Recognized	CSA	Y
CE	N	Number of Speeds	3

Technical Specifications

Electrical Type	Permanent Split Capacitor	Starting Method	Across The Line
Poles	6	Rotation	Reversible
Mounting	Resilient Rings	Motor Orientation	Horizontal
Drive End Bearing	Ball	Opp Drive End Bearing	Ball
Frame Material	Rolled Steel	Shaft Type	Flat
Overall Length	9.99 in	Frame Length	4.38 in
Shaft Diameter	0.500 in	Shaft Extension	4.5 in
Connection Drawing	614131-151	Outline Drawing	DL1056_FA

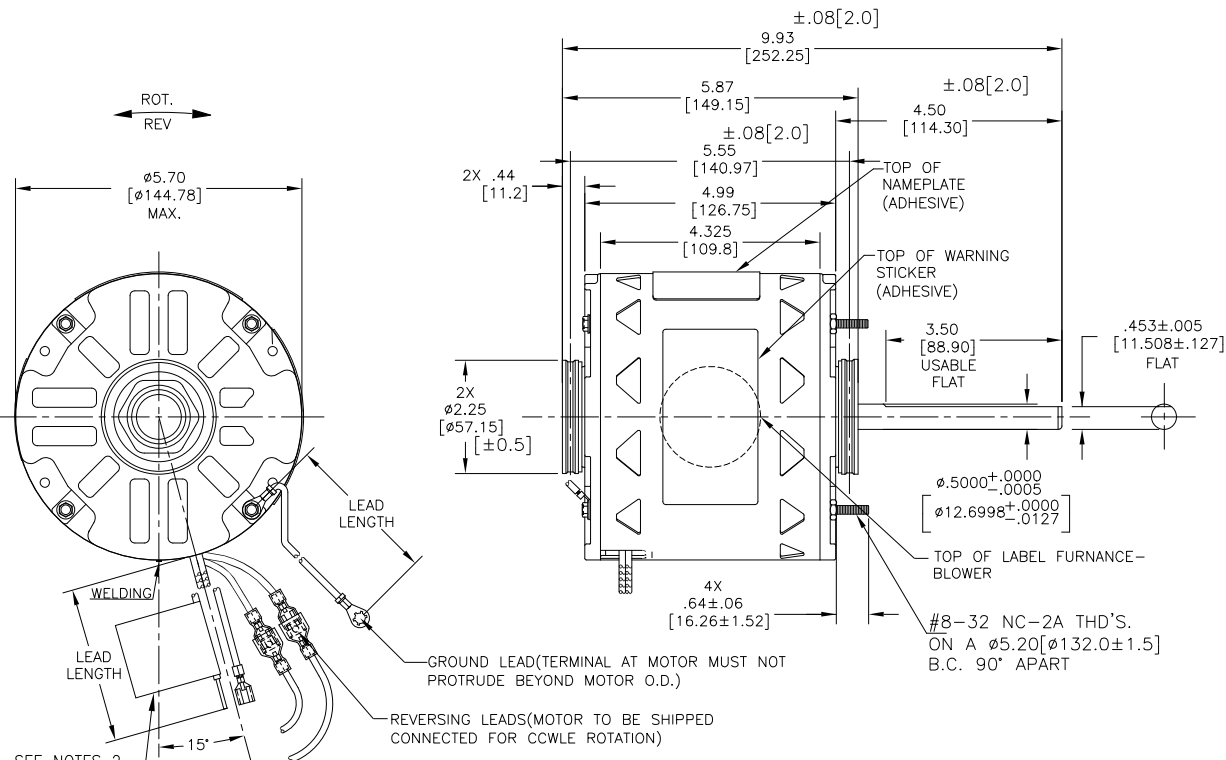
This is an uncontrolled document once printed or downloaded and is subject to change without notice. Date Created:11/28/2022

GENERAL INFORMATION:

SHAFT RUNOUT: .001[.025] T.I.R. PER INCH LENGTH OF EXTENSION
 BEARINGS: BALL
 MOUNTING POSITION: HORIZONTAL

ELECTRICAL DATA:

OVERLOAD PROTECTOR: AUTOMATIC RESET (SENSATA 7AM 036)
 LINE LEADS: NO. 18 GA., .03[.76] THK.,125°C INSUL.
 REVERSING LEADS: NO. 18 GA., .03[.76] THK.,125°C INSUL.
 GROUND LEADS: NO. 18 GA., .03[.76] THK.,(GREEN)INSUL.



- NOTES:
- SPLIT RING ADAPTOR 615035 (4 REQ'D) TO BE PACKED WITH EACH MOTOR.
 - ATTACH WARNING/CONNECTION LABEL TO COMMON (WHITE) LEAD APPROX. 2.0[51] FROM MOTOR (ADHESIVE)
 - ALL LABEL READ FROM LE.
 - SPRING SHIM/THRUST WASHER IN OLE SIDE.

REGAL-BELOIT CORPORATION (RBC) PROVIDES TECHNICAL ASSISTANCE TO OUR CUSTOMERS IN SEVERAL AREAS. SINCE RBC DOES NOT RECEIVE ALL DATA CONCERNING THE USE AND APPLICATION OF THE MOTOR, THE SUITABILITY OF THE MOTOR FOR THE APPLICATION MUST BE DETERMINED BY THE CUSTOMER.

DIMENSIONS WITHOUT TOLERANCES ARE FOR REFERENCE ONLY.

SEE NOTES 2

COLOR	LENGTH	TERMINAL OR STRIP LENGTH
GREEN (GRD)	9.0/11.0 [229.6/279.4]	10# EYELET
WHITE (REV)	4.0/6.0 [101.6/152.4]	.25[6.35] PER-INSUL. MALE TAB
PURPLE (REV)	4.0/6.0 [101.6/152.4]	.25[6.35] PER-INSUL. FEMALE SPADE
ORANGE (REV)	4.0/6.0 [101.6/152.4]	.25[6.35] PER-INSUL. MALE TAB
BROWN (REV)	4.0/6.0 [101.6/152.4]	.25[6.35] PER-INSUL. FEMALE SPADE
BROWN	25.0/27.0 [635.0/685.8]	.25[6.35] FEMALE SPADE
BROWN/WHITE	25.0/27.0 [635.0/685.8]	.25[6.35] FEMALE SPADE
WHITE	25.0/27.0 [635.0/685.8]	.60[15.24] SKIN
BLACK	25.0/27.0 [635.0/685.8]	.60[15.24] SKIN
BLUE	25.0/27.0 [635.0/685.8]	.60[15.24] SKIN
RED	25.0/27.0 [635.0/685.8]	.60[15.24] SKIN
COLOR	LENGTH	TERMINAL OR STRIP LENGTH

MAIN FRAME - OLE	OPEN
END FRAME - OLE	OPEN
MAIN FRAME - LE	OPEN
END FRAME - LE	OPEN

CUSTOMER	DISTRIBUTION SERVICES
----------	-----------------------

SAMPLE SM19-491
NAMEPLATE DATA:

MODEL: 5KCP39MGDD697S
 CUST. P/N: DL1056
 HP: 1/2
 ROT: REVERSIBLE
 RPM: 1075/3 SPD
 TYPE: UF
 FRAME: 48Y
 VOLTS: 115
 PH: 1
 AMPS: 7.1
 HZ: 60
 INS: B
 AMB: 40 °C
 DUTY: AIR OVER
 CAP.: 10 MFD/370V
 THERMALLY PROTECTED

E27885
MADE IN INDIA

EXTERNAL CONNECTION DIAGRAM

ROTATION

CCWLE (Counter-Clockwise Lead Extension)

CWLE (Clockwise Lead Extension)

D0000607-001

DRAWING REVISION	REVISION BY	DATE
D	MG	06-04-22
ECO	APPROVED BY	DATE
ECR-0216723	LS	06-04-22

ECO DESCRIPTION
 Endshield view updated and Endplay removed from general information

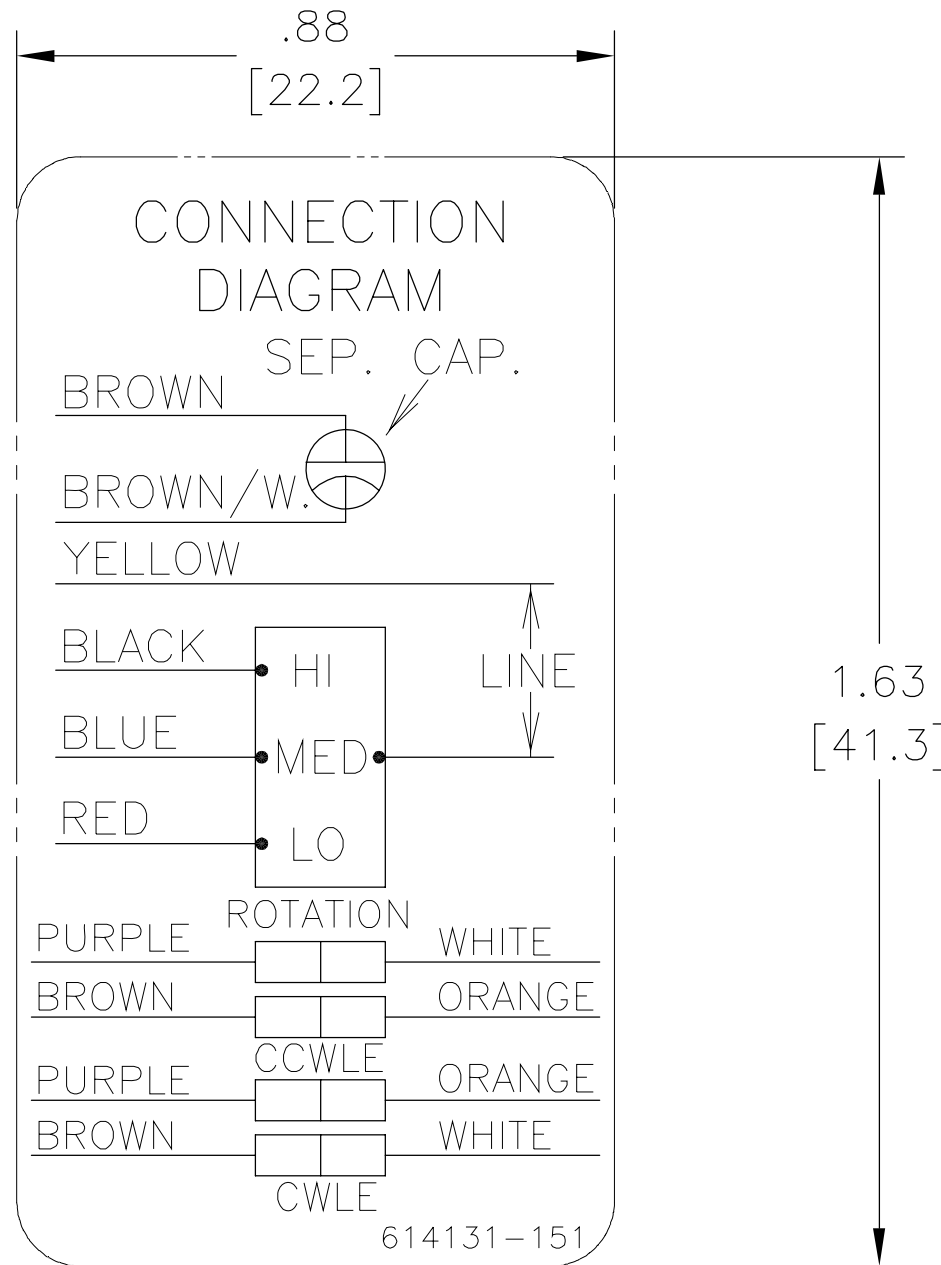
COPYRIGHT REGAL-BELOIT AMERICA, INC. ALL RIGHTS RESERVED. PROPRIETARY AND CONFIDENTIAL INFORMATION - THIS DOCUMENT IS THE PROPERTY OF REGAL-BELOIT AMERICA, INC. (OWNER) AND CONTAINS OWNER'S PROPRIETARY INFORMATION. ANY PERSON, CORPORATION OR OTHER ENTITY, DUPLICATED, AND/OR USED, EXCEPT AS EXPRESSLY APPROVED IN WRITING IN ADVANCE BY OWNER, THIS DOCUMENT SHALL BE RETURNED TO OWNER UPON REQUEST. IT MAY BE SUBJECT TO CERTAIN RESTRICTIONS UNDER APPLICABLE EXPORT CONTROL LAWS AND REGULATIONS.

DRAWN BY: MANOJ	Regal Beloit America, Inc.
DATE: 24.03.20	
APPROVED BY: LS	DESCRIPTION MODEL-RFHP-48FR OUTLINE
DATE: 24.03.20	MATERIAL
PROCESS/FINISH	SIZE DWG NO C DL1056_FA
THIRD ANGLE PROJECTION	SHEET 1

REV	ECO	REV BY	DATE	APPD	DATE
C	0016999	A. NAJERA	03-17-2011	M. ARGUELLES	03-17-2011

NOTES:

- FOR USE WITH 614129 NAMEPLATE BLANK
- -- — INDICATES DIMENSIONAL LIMITS.
- DIE TO BE MADE FROM MASTER SUPPLIED BY A.O. SMITH CORP.
- DIE MUST PRODUCE A LEGIBLE IMPRESSION.



GEOMETRIC CHARACTERISTICS & SYMBOLS
 ▭ FLATNESS
 — STRAIGHTNESS
 < ANGLARITY
 ⊥ PERPENDICULARITY (SQUARENESS)
 // PARALLELISM
 ○ ROUNDNESS (CIRCULARITY)
 ⌀ CYLINDRICITY
 △ PROFILE OF ANY SURFACE
 ∩ PROFILE OF ANY LINE
 ↗ RUNOUT
 ⊕ TRUE POSITION
 ⊙ CONCENTRICITY
 = SYMMETRY

UNLESS OTHERWISE SPECIFIED
 DIM. TOLERANCES ARE AS FOLLOWS:
 INCH X XX XXX XXXX
 ±.1 ±.02 ±.005 ±.0005
 mm ±0.5 ±0.13 ±0.013
 ANG. ±.50 DEG
 REMOVE BURRS & BREAK SHARP EDGES:
 INCH .003-.015 mm 0.1-0.4
 CORNER FILLETS TO:
 INCH .020 mm 0.5
 MACHINE SURFACES:
 INCH 125 mm 3.2
 METRIC DIMS. SHOWN IN [BRACKETS]

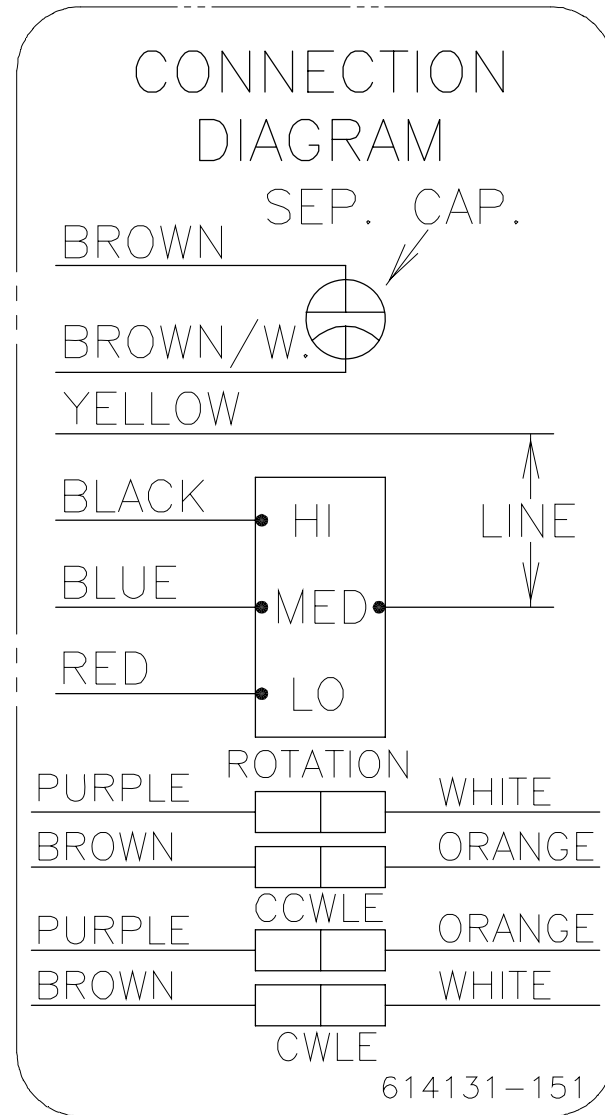
DR BY: JMW 09-29-89
 APPD:
 THIRD ANGLE PROJECTION
 EDS DATE 02-22-2008
 FORMAT REV F
 CONFIDENTIAL: THIS DRAWING AND ITS INFORMATION ARE THE EXCLUSIVE AND CONFIDENTIAL PROPERTY OF A.O. SMITH CORP. AND ARE NOT TO BE DISCLOSED, DUPLICATED, DISTRIBUTED OR OTHERWISE USED WITHOUT THE WRITTEN CONSENT OF A.O. SMITH CORP.
 -ALL RIGHTS RESERVED. ASME Y14.5M 1994

		ELECTRICAL PRODUCTS COMPANY <small>A DIVISION OF A. O. SMITH CORPORATION</small>	
DESCRIPTION CONN DIAGRAM NAMEPLATE			
SIZE A	DWG NO 614131-151		
SCALE NONE			SHEET 1

REVISION:	ECO	REVISADO POR:	FECHA:	APROBADO POR:	FECHA:
C	0016999	A. NAJERA	03-17-2011	M. ARGUELLES	03-17-2011

NOTAS:

1. PARA USAR CON LA PLACA DE DATOS BLANCA 614129
2. — — — — INDICA LOS LIMITES DIMENSIONALES.
3. EL DADO ES HECHO A PARTIR DEL ABASTECIMIENTO MAESTRO POR A.O. SMITH CORP.
4. EL DADO TIENE QUE SER FABRICADO CON UNA IMPRESION LEGIBLE.



CARACTERISTICAS DE GEOMETRIA Y SIMBOLOS
 ▽ PLANICIDAD
 — RECTITUD
 < ANGULARIDAD
 ⊥ PERPENDICULARIDAD (A ESCUADRA)
 // PARALELISMO
 ○ REDONDEZ (CIRCULARIDAD)
 ⊘ CILINDRICIDAD
 ⊖ PERFIL DE CUALQUIER SUPERFICIE
 ⊖ PERFIL DE CUALQUIER LINEA
 ↗ VARIACION
 ⊕ POSICION REAL
 ⊙ CONCENTRICIDAD
 = SIMETRIA

A MENOS QUE SE ESPECIFIQUE DE OTRA MANERA, LAS TOLERANCIAS DE LAS DIMS; SON LAS SIGUIENTES:
 X XX XXX XXXX
 PULG ±.1 ±.02 ±.005 ±.0005
 mm ±0.5 ±0.13 ±0.013
 ANG. ±.50 GRADOS
 ELIMINAR REBABAS Y ORILLAS FILOSAS DEL BORDE.
 PULG .003-.015 mm 0.1-0.4
 FILETEAR ESQUINA: PULG .020 mm 0.5
 MAQUINAR SUPERFICIES
 PULG 125 mm 3.2
 DIMS METRICAS MOSTRADAS [PARENTESIS]

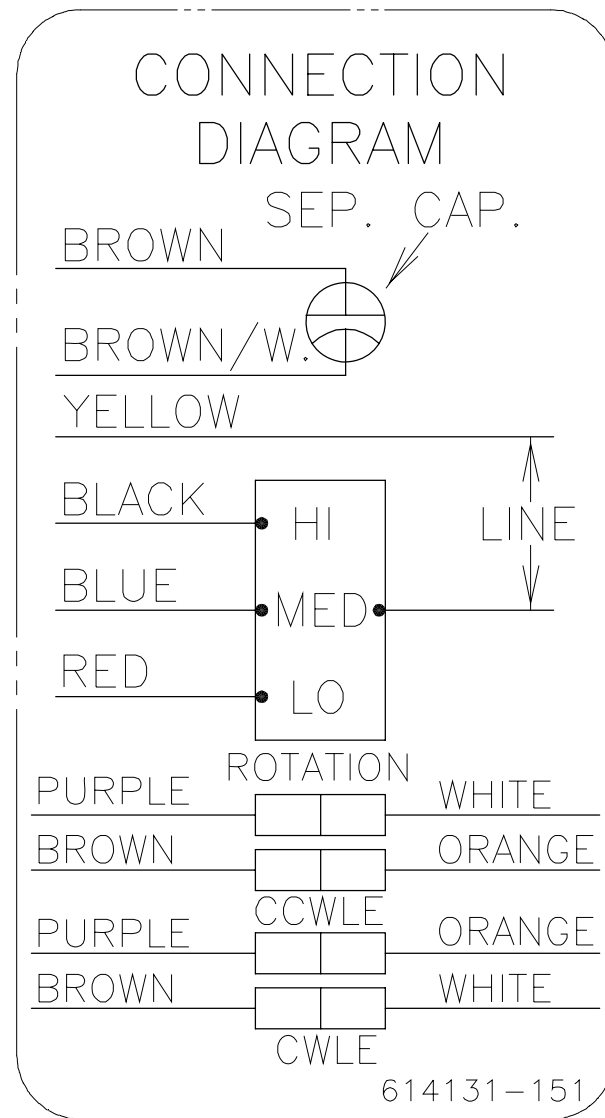
DIBUJADO POR: JMW 09-29-89
 APROBADO POR:
 TERCER ANGULO DE PROYECCION
 CONFIDENCIAL: ESTE DIBUJO Y SU INFORMACION SON PROPIEDAD DE USO EXCLUSIVO Y CONFIDENCIAL DE A.O.SMITH CORP. Y NO DEBERAN SER REVELADOS, DUPLICADOS, DISTRIBUIDOS O USARSE DE OTRA MANERA SIN EL CONSENTIMIENTO ESCRITO DE A.O. SMITH CORP. -TODOS LOS DERECHOS RESERVADOS.ASME Y14.5M 1994

ACSmith **ELECTRICAL PRODUCTS COMPANY**
 Innovation has a name. A DIVISION OF A. O. SMITH CORPORATION

DESCRIPCION: CONN DIAGRAM NAMEPLATE

TAMAÑO: A NUMERO DE DIBUJO: 614131-151
 ESCALA:NONE HOJA: 1

版本	ECO	编制	日期	批准	日期
C	0016999	A. NAJERA	03-17-2011	M. ARGUELLES	03-17-2011



形位公差
 □ 平面度
 — 直线度
 < 倾斜度
 ⊥ 垂直度
 // 平行度
 ○ 圆度
 ⊙ 圆柱度
 △ 面轮廓度
 ∩ 线轮廓度
 ↗ 圆跳动
 ⊕ 位置度
 ◎ 同轴度
 ≡ 对称度

除另有注明
 尺寸公差如下:
 英寸 X XX XXX XXXX
 毫米 ±.1 ±.02 ±.005 ±.0005
 英寸 .003-.015 毫米 0.1-0.4
 内圆角
 英寸 .020 毫米 0.5
 表面粗糙度
 英制 125 米制 3.2
 米制尺寸显示在 []

绘图: JMW 09-29-89
 批准:
 第三角投影 图纸格式发布日期 02-22-2008
 图纸格式版本 F
 机密: 本图纸及相关信息所有权归A. O. SMITH公司所有。
 未经A. O. SMITH公司书面授权, 不得泄露、复制、传播或作
 其他用途。—版权所有
 ASME Y14.5M 1994

AC Smith **ELECTRICAL PRODUCTS COMPANY**
 Innovation has a name. A DIVISION OF A. O. SMITH CORPORATION

名称: CONN DIAGRAM NAMEPLATE

图幅: A 图号: 614131-151

比例: NONE 页号: 1