

# PRODUCT INFORMATION PACKET



Model No: DL1026

Catalog No: DL1026

Fan and Blower Motor, 1/4 HP, 1 Ph, 60 Hz, 115 V, 1075 RPM, 3 Speed, 48 Frame, OPEN



Regal and Century are trademarks of Regal Rexnord Corporation or one of its affiliated companies.

©2022 Regal Rexnord Corporation, All Rights Reserved. MC017097E





**Nameplate Specifications**

Output HP	1/4 Hp	Output KW	0.19 kW
Frequency	60 Hz	Voltage	115 V
Current	4.5 A	Speed	1075 rpm
Service Factor	1	Phase	1
Duty	Air Over	Insulation Class	B
Frame	48	Enclosure	Open Enclosed
Thermal Protection	Automatic	Ambient Temperature	40 °C
UL	Recognized	CSA	Y
CE	N	Number of Speeds	3

**Technical Specifications**

Electrical Type	Permanent Split Capacitor	Starting Method	Across The Line
Poles	6	Rotation	Reversible
Mounting	Resilient Rings	Motor Orientation	Horizontal
Drive End Bearing	Ball	Opp Drive End Bearing	Ball
Frame Material	Rolled Steel	Shaft Type	Flat
Overall Length	9.11 in	Frame Length	3.50 in
Shaft Diameter	0.500 in	Shaft Extension	4.5 in
Outline Drawing	DL1026_FA		

This is an uncontrolled document once printed or downloaded and is subject to change without notice. Date Created:11/28/2022

**GENERAL INFORMATION:**

SHAFT RUNOUT: .001[.03] T.I.R. PER INCH LENGTH OF EXTENSION

BEARINGS: BALL

**ELECTRICAL DATA:**

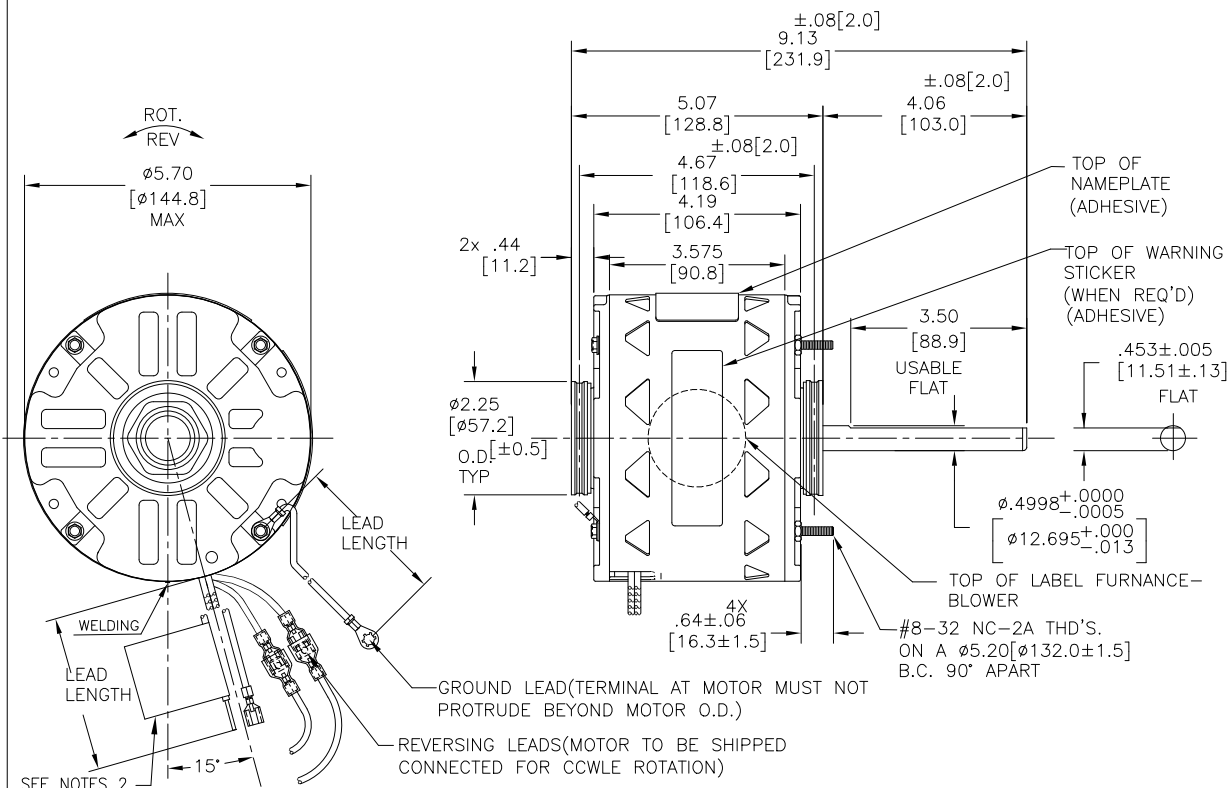
MOUNTING POSITION: HORIZONTAL

OVERLOAD PROTECTOR: AUTOMATIC RESET (SENSATA 7AM 036)

LINE LEADS: NO. 18 GA., .03[.8] THK., 125°C INSUL.

REVERSING LEADS: NO. 18 GA., .03[.8] THK., CROSS-LINKED POLYETHYLENE 125°C INSUL.

GROUND LEADS: NO. 18 GA., .03[.8] THK., (GREEN) INSUL.



SEE NOTES 2

LEAD DATA		
COLOR	LENGTH	TERMINAL OR STRIP LENGTH
RED	25.0/27.0 [635/686]	.60[15.2] SKIN
BLUE	25.0/27.0 [635/686]	.60[15.2] SKIN
BLACK	25.0/27.0 [635/686]	.60[15.2] SKIN
WHITE	25.0/27.0 [635/686]	.60[15.2] SKIN
BROWN/WHITE	25.0/27.0 [635/686]	.25[6.4] FEMALE SPADE
BROWN	25.0/27.0 [635/686]	.25[6.4] FEMALE SPADE
BROWN (REV)	4.0/6.0 [102/152]	.25[6.4] PER-INSUL. FEMALE SPADE
ORANGE (REV)	4.0/6.0 [102/152]	.25[6.4] PER-INSUL. MALE SPADE
PURPLE (REV)	4.0/6.0 [102/152]	.25[6.4] PER-INSUL. FEMALE SPADE
WHITE (REV)	4.0/6.0 [102/152]	.25[6.4] PER-INSUL. MALE SPADE
GREEN (GRD)	9.0/11.0 [229/279]	10# EYELET

- NOTES:**
1. SPLIT RING ADAPTOR 53P26-1 OR 615035(4 REQ'D) TO BE PACKED WITH EACH MOTOR.
  2. ATTACH WARNING/CONNECTION LABEL TO COMMON (WHITE) LEAD APPROX. 2.0[51] FROM MOTOR (ADHESIVE)
  3. ALL LABEL READ FROM LE.
  4. SPRING SHIM/THRUST WASHER IN OLE SIDE.

REGAL-BELOIT CORPORATION (RBC) PROVIDES TECHNICAL ASSISTANCE TO OUR CUSTOMERS IN SEVERAL AREAS. SINCE RBC DOES NOT RECEIVE ALL DATA CONCERNING THE USE AND APPLICATION OF THE MOTOR, THE SUITABILITY OF THE MOTOR FOR THE APPLICATION MUST BE DETERMINED BY THE CUSTOMER.

DIMENSIONS WITHOUT TOLERANCES ARE FOR REFERENCE ONLY.

SAMPLE SM19-508 NAMEPLATE DATA:	EXTERNAL CONNECTION DIAGRAM
MODEL NO.: 5KCP39FGDD705S CUST. P/N: DL1026 HP: 1/4 ROT.: REVERSIBLE RPM: 1075/3 SPD. TYPE: UF FRAME: 48Y VOLTS: 115 PH: 1 AMPS: 4.5 HZ: 60 INS.: B AMB: 40°C DUTY: AIR OVER CAP.: 5 MFD/370 V THERMALLY PROTECTED	<p>RED — LO</p> <p>BLUE — MED</p> <p>BLACK — HI</p> <p>WHITE — LINE</p> <p>BROWN —</p> <p>BRN/WHT —</p> <p>ROTATION AT LEAD END</p> <p>CW CCW</p> <p>PURPLE BROWN</p> <p>ORANGE ORANGE</p> <p>WHITE WHITE</p> <p>BROWN PURPLE</p> <p>63P5519#203</p>

ENCLOSURE		CUSTOMER	DISTRIBUTION SERVICES
END FRAME - LE	OPEN		
MAIN FRAME - LE	OPEN		
END FRAME - OLE	OPEN		
MAIN FRAME - OLE	OPEN		

DRAWING REVISION BY: D MG	DATE: 07-04-22	DRAWN BY: MK	REGAL™ Regal Beloit America, Inc.
ECR-0216723	APPROVED BY: LS		
ECO DESCRIPTION: Endshield view updated and Endplay removed from general information		APPROVED BY: LS	DESCRIPTION: MODEL-RFHP-48FR OUTLINE
COPYRIGHT REGAL-BELOIT AMERICA, INC. ALL RIGHTS RESERVED. PROPRIETARY AND CONFIDENTIAL INFORMATION - THIS DOCUMENT IS THE PROPERTY OF REGAL-BELOIT AMERICA, INC. (OWNER) AND COMPANY OWNER'S PROPRIETARY INFORMATION. ANY PERSON, CORPORATION OR OTHER ENTITY, DUPLICATED, AND/OR USED, EXCEPT BY RECEIVING IT TO AGREE THAT IT, AND/OR ANY PART OF IT, SHALL NOT BE DISCLOSED TO ANY PERSON, CORPORATION OR OTHER ENTITY, DUPLICATED, AND/OR USED, EXCEPT AS EXPRESSLY APPROVED IN WRITING IN ADVANCE BY OWNER. THIS DOCUMENT SHALL BE RETURNED TO OWNER UPON REQUEST. IT MAY BE SUBJECT TO CERTAIN RESTRICTIONS UNDER APPLICABLE EXPORT CONTROL LAWS AND REGULATIONS.		DATE: 21.01.20	MATERIAL: -
		PROCESS/FINISH: -	SIZE DWG NO: DL1026_FA
		THIRD ANGLE PROJECTION	SHEET 1