

PRODUCT INFORMATION PACKET



Model No: DL007
Catalog No: DL007
3/4 HP Fan & Blower Motor, 1075 RPM, 2 Speed, 115 Volts, 48 Frame, OAO
Fan and Blower Motors



Regal and Century are trademarks of Regal Rexnord Corporation or one of its affiliated companies.
©2021 Regal Rexnord Corporation, All Rights Reserved. MC017097E





Nameplate Specifications

| | | | |
|--------------------|-------------------|---------------------|----------------------|
| Output HP | 3/4 Hp | Output KW | 0.56 kW |
| Frequency | 60 Hz | Voltage | 115 V |
| Current | 8.9 A | Speed | 1075 rpm |
| Service Factor | 1 | Phase | 1 |
| Duty | Air Over | Insulation Class | B |
| Frame | 48Y | Enclosure | Open Enclosed |
| Thermal Protection | Automatic | Ambient Temperature | 50 °C |
| UL | Recognized | CSA | Y |
| CE | N | Number of Speeds | 2 |

Technical Specifications

| | | | |
|--------------------|----------------------------------|-----------------------|------------------------|
| Electrical Type | Permanent Split Capacitor | Starting Method | Across The Line |
| Poles | 6 | Rotation | Reversible |
| Mounting | Resilient Rings | Motor Orientation | Any |
| Drive End Bearing | Sleeve | Opp Drive End Bearing | Sleeve |
| Frame Material | Rolled Steel | Shaft Type | Flat |
| Overall Length | 10.61 in | Frame Length | 5.00 in |
| Shaft Diameter | 0.500 in | Shaft Extension | 4.5 in |
| Connection Drawing | 614131-171 | Outline Drawing | 11760-082-S01 |

This is an uncontrolled document once printed or downloaded and is subject to change without notice. Date Created:10/07/2021

4

3

2

1

| REV | ECO | REV BY | DATE | APPD | DATE |
|-----|---------|----------|------------|---------------|------------|
| B | 0025543 | I. ORTIZ | 04-26-2012 | D. BALDERRAMA | 04-26-2012 |

GENERAL INFORMATION:

SHAFT RUNOUT: .001 [.03] T.I.R. PER INCH LENGTH OF EXTENSION

END PLAY: .010 TO .063 [.25 TO 1.60]

BEARINGS: SLEEVE

MOUNTING POSITION: ALL ANGLE

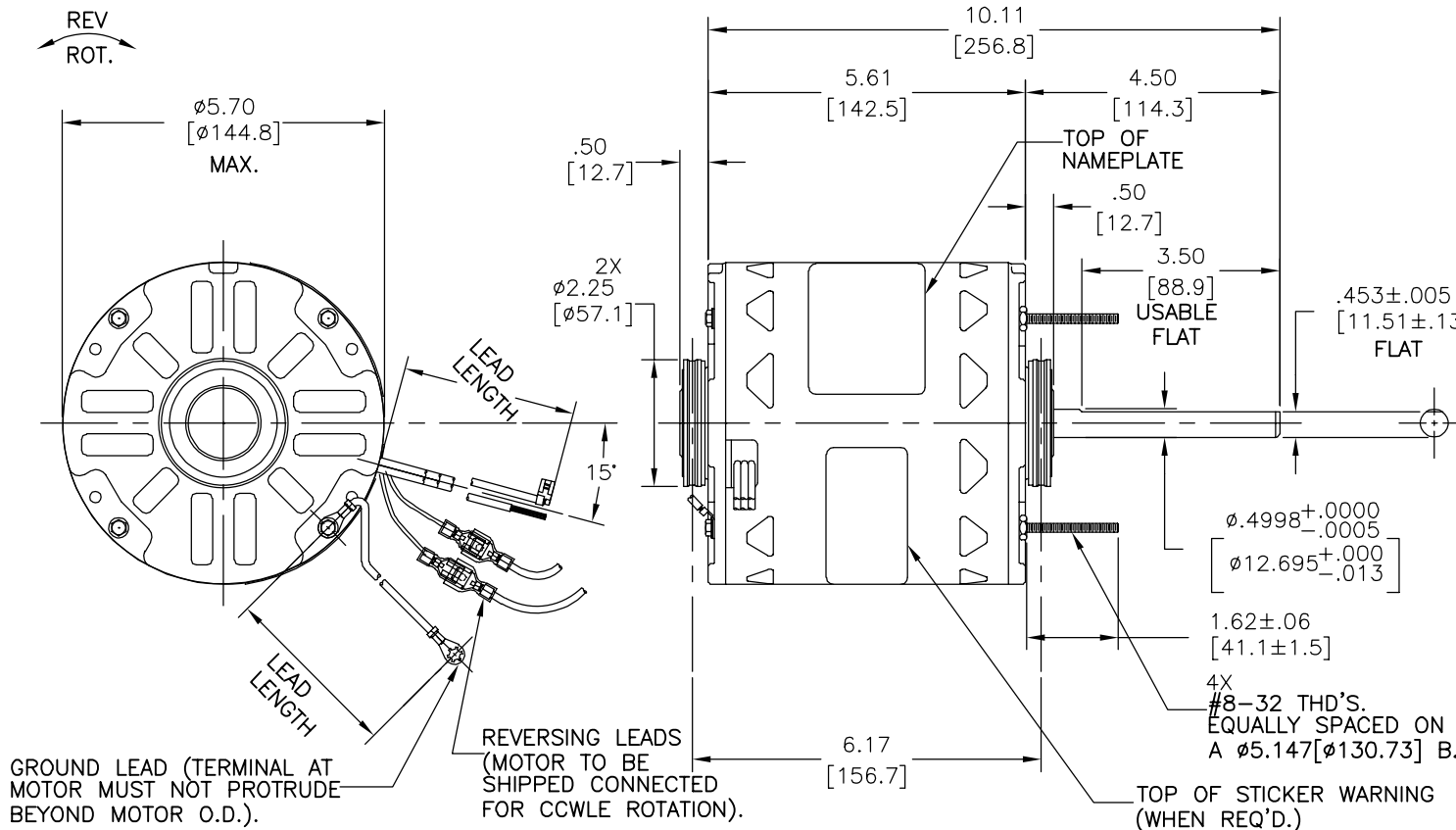
ELECTRICAL DATA:

OVERLOAD PROTECTOR: AUTOMATIC RESET (T.I. 7AM 036)

LEADS: NO. 18 GA., .06 [1.5] THK., 105°C INSUL.

REVERSING LEADS: NO. 18 GA., .03 [.8] THK., 125°C INSUL.

GROUND LEADS: NO. 18 GA., .03 [.8] THK., (GREEN) INSUL.



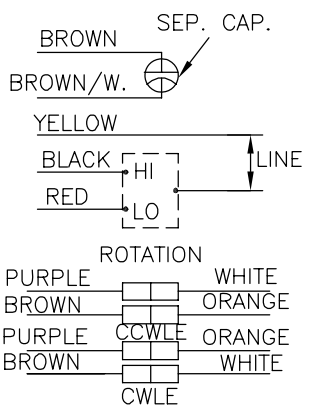
GROUND LEAD (TERMINAL AT MOTOR MUST NOT PROTRUDE BEYOND MOTOR O.D.).

REVERSING LEADS (MOTOR TO BE SHIPPED CONNECTED FOR CCWLE ROTATION).

NAMEPLATE DATA:

EXTERNAL CONNECTION DIAGRAM

MODEL NO.: F48M87A01
 CUST. P/N: [] [] [] []
 HP: 3/4
 ROT: REVERSIBLE
 RPM: 1075/2 SPD.
 TYPE: UF
 FRAME: 48Y
 VOLTS: 115
 PH: 1
 AMPS: 8.9 (10.3 MAX)
 HZ: 60
 INS: B
 AMB: 50°C
 DUTY: AIR OVER
 CAP.: 15 MFD/370V
 ENCL: OPEN
 CSA LOGO
 UL LOGO
 THERMALLY PROTECTED



* C24158 EXCEPT HI & LO SPEEDS ONLY

614131-171

| | | |
|--------------|----------------------|------------------------------|
| GREEN (GRD) | 12/13 [305/330] | 10# EYELET |
| BROWN (REV) | 4.5/5.5 [114/140] | .25[6.4]. FEMALE INSUL SPADE |
| WHITE (REV) | 4.5/5.5 [114/140] | .25[6.4]. MALE INSUL. SPADE |
| ORANGE (REV) | 4.5/5.5 [114/140] | .25[6.4]. MALE INSUL. SPADE |
| PURPLE (REV) | 4.5/5.5 [114/140] | .25[6.4]. FEMALE INSUL SPADE |
| BROWN | 26/28 [660/711] | .25[6.4] FLAG |
| BROWN/WHITE | 26/28 [660/711] | .25[6.4] FLAG |
| YELLOW | 26/28 [660/711] | .50[12.7] SKIN |
| BLACK | 26/28 [660/711] | .50[12.7] SKIN |
| RED | 26/28 [660/711] | .50[12.7] SKIN |
| COLOR | LENGTH | TERMINAL OR STRIP LENGTH |

- NOTE:
- SNAP RINGS 615035 (4 REQ'D) TO BE PACKED WITH EACH MOTOR
 - DISTRIBUTION PART NUMBER: DL007
GRAINGER PART NUMBER: 4KA30

| | |
|----------------|------|
| MAIN FR. - OLE | OPEN |
| END FR. - OLE | OPEN |
| MAIN FR. - LE | OPEN |
| END FR. - LE | OPEN |

| | |
|-------|-----------------------|
| CUST. | DISTRIBUTION SERVICES |
|-------|-----------------------|

| PERFORMANCE CURVE NO. | TORQUE @ 1075 RPM (25°C) | APPROVED SAMPLE | UL COMPONENT FILE # | CSA GUIDE # |
|-----------------------|--------------------------|-----------------|---------------------|-----------------|
| * | 64.6 OZ. FT. | ----- | E46412 PRGY2 | LR43341 260-0-0 |

GEOMETRIC CHARACTERISTICS & SYMBOLS
 ▽ FLATNESS
 - STRAIGHTNESS
 < ANGLARITY
 ⊥ PERPENDICULARITY (SQUARENESS)
 // PARALLELISM
 ○ ROUNDNESS (CIRCULARITY)
 ∅ CYLINDRICITY
 △ PROFILE OF ANY SURFACE
 ∩ PROFILE OF ANY LINE
 ↗ RUNOUT
 ⊕ TRUE POSITION
 ⊙ CONCENTRICITY
 = SYMMETRY
 ASME Y14.5M 1994

REGAL-BELOIT CORPORATION (RBC) PROVIDES TECHNICAL ASSISTANCE TO OUR CUSTOMERS IN SEVERAL AREAS. SINCE RBC DOES NOT RECEIVE ALL DATA CONCERNING THE USE AND APPLICATION OF THE MOTOR, THE SUITABILITY OF THE MOTOR FOR THE APPLICATION MUST BE DETERMINED BY THE CUSTOMER.

DIMENSIONS WITHOUT TOLERANCES ARE FOR REFERENCE ONLY.

DR BY: D M JONES 03-15-1999
 APPD: J P MU 03-15-1999
 EDS DATE 11-11-2011
 FORMAT REV G

THIRD ANGLE PROJECTION

CONFIDENTIAL: THIS DRAWING AND ITS INFORMATION ARE THE EXCLUSIVE AND CONFIDENTIAL PROPERTY OF REGAL-BELOIT CORPORATION AND ARE NOT TO BE DISCLOSED, DUPLICATED, DISTRIBUTED OR OTHERWISE USED WITHOUT THE WRITTEN CONSENT OF REGAL-BELOIT CORPORATION. -ALL RIGHTS RESERVED.

| | |
|-------------------------|------------------|
| | |
| DESCRIPTION | |
| MODEL-RFHP-48FR OUTLINE | |
| SIZE C | DWG NO 11760-082 |
| SCALE NONE | SHEET 1 |

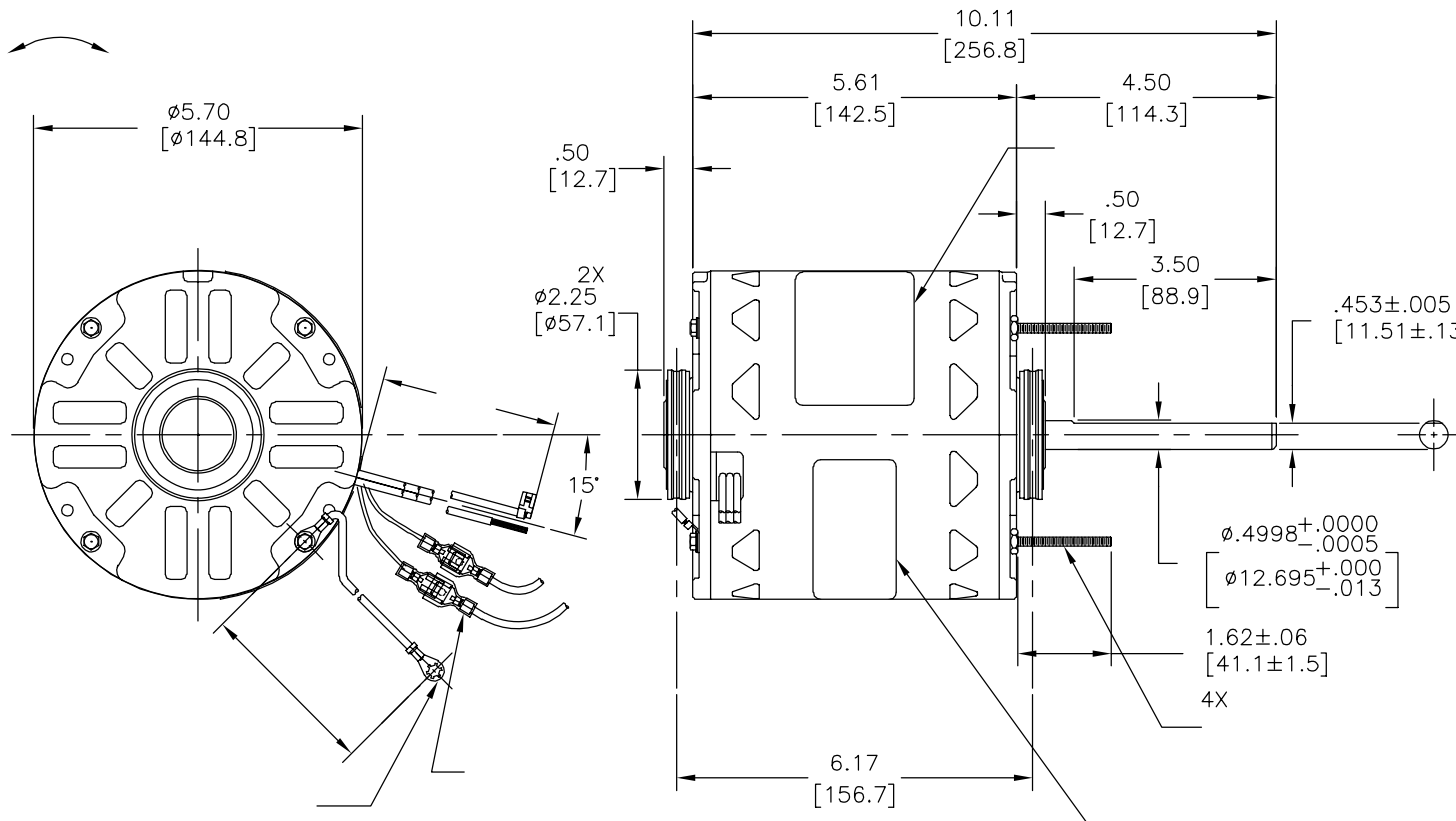
4

3

2

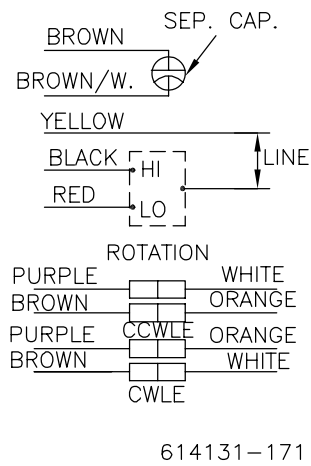
1

| | | | | | |
|-----------|---------|---------------|------------|---------------|------------|
| REVISION: | ECO | REVISADO POR: | FECHA: | APROBADO POR: | FECHA: |
| B | 0025543 | I. ORTIZ | 04-26-2012 | D. BALDERRAMA | 04-26-2012 |



SEE NOTE 2

MODEL NO.: F48M87A01
 CUST. P/N: □□□□
 HP: 3/4
 ROT: REVERSIBLE
 RPM: 1075/2 SPD.
 TYPE: UF
 FRAME: 48Y
 VOLTS: 115
 PH: 1
 AMPS: 8.9 (10.3 MAX)
 HZ: 60
 INS: B
 AMB: 50°C
 DUTY: AIR OVER
 CAP.: 15 MFD/370V
 ENCL: OPEN
 CSA LOGO
 UL LOGO
 THERMALLY PROTECTED



| | | |
|--|-----------|-----------|
| | 12/13 | |
| | [305/330] | |
| | 4.5/5.5 | .25[6.4]. |
| | [114/140] | |
| | 4.5/5.5 | .25[6.4]. |
| | [114/140] | |
| | 4.5/5.5 | .25[6.4]. |
| | [114/140] | |
| | 4.5/5.5 | .25[6.4]. |
| | [114/140] | |
| | 26/28 | .25[6.4] |
| | [660/711] | |
| | 26/28 | .25[6.4] |
| | [660/711] | |
| | 26/28 | .50[12.7] |
| | [660/711] | |
| | 26/28 | .50[12.7] |
| | [660/711] | |
| | 26/28 | .50[12.7] |
| | [660/711] | |

| | |
|--|--|
| | |
| | |
| | |

DISTRIBUTION SERVICES

CARACTERISTICAS DE GEOMETRIA Y SIMBOLOS
 ▽ PLANICIDAD
 — RECTITUD
 ∠ ANGULARIDAD
 ⊥ PERPENDICULARIDAD (A ESCUADRA)
 // PARALELISMO
 ○ REDONDEZ (CIRCULARIDAD)
 ∅ CILINDRICIDAD
 △ PERFIL DE CUALQUIER SUPERFICIE
 ∩ PERFIL DE CUALQUIER LINEA
 ↗ VARIACION
 ⊕ POSICION REAL
 ⊙ CONCENTRICIDAD
 = SIMETRIA
 ASME Y14.5M 1994

REGAL-BELOIT CORPORATION (RBC)
 PROVEE ASISTENCIA TECNICA A
 NUESTROS CLIENTES EN VARIAS AREAS.
 DESDE QUE RBC NO RECIBE TODOS
 LOS DATOS EN RELACION AL USO Y A
 LA APLICACION DEL MOTOR, LA
 APLICACION ADECUADA DEL MOTOR
 DEBE SER DETERMINADA POR EL
 CLIENTE.

DIMENSIONES SIN TOLERANCIA SON
 DE REFERENCIA SOLAMENTE

DIBUJADO POR:
 D M JONES
 03-15-1999

APROBADO POR:
 J P MU
 03-15-1999

TERCER ANGULO
 DE PROYECCION

CONFIDENCIAL: ESTE DIBUJO Y SU INFORMACION
 SON PROPIEDAD DE USO EXCLUSIVO Y CONFIDENCIAL DE
 REGAL-BELOIT CORPORATION. Y NO DEBERAN SER REVELADOS,
 DUPLICADOS, DISTRIBUIDOS O USARSE DE OTRA MANERA
 SIN EL CONSENTIMIENTO ESCRITO DE REGAL-BELOIT
 CORPORATION. -TODOS LOS DERECHOS RESERVADOS.



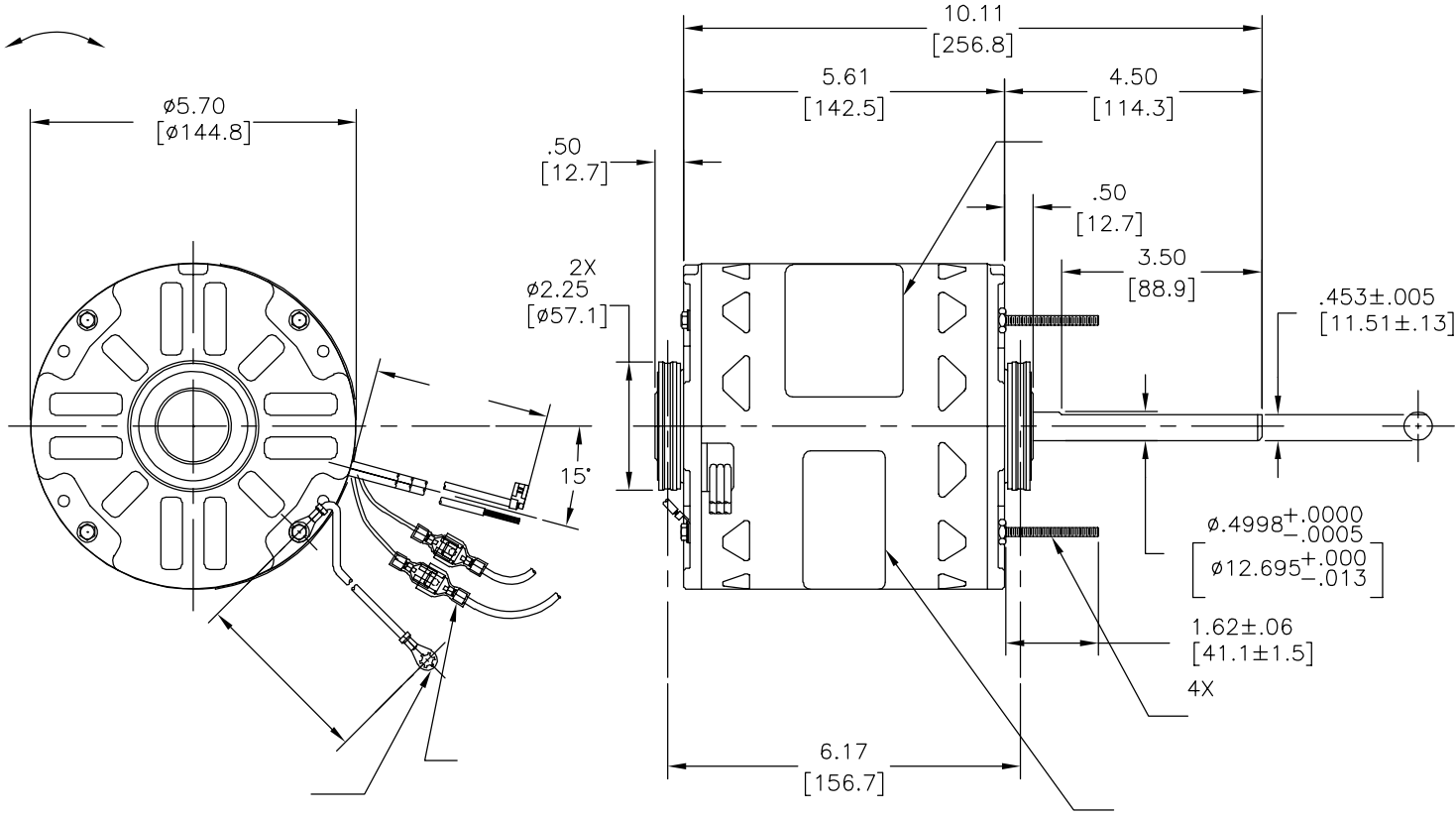
DESCRIPCION:
 MODEL-RFHP-48FR
 OUTLINE

TAMAÑO: C NUMERO DE DIBUJO:
 11760-082

ESCALA: NONE HOJA: 1

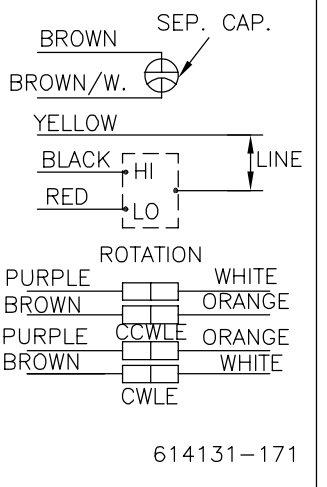
4 3 2 1

| | | | | | |
|----|---------|----------|------------|---------------|------------|
| 版本 | ECO | 编制 | 日期 | 批准 | 日期 |
| B | 0025543 | I. ORTIZ | 04-26-2012 | D. BALDERRAMA | 04-26-2012 |



SEE NOTE 2

MODEL NO.: F48M87A01
 CUST. P/N: □□□□
 HP: 3/4
 ROT: REVERSIBLE
 RPM: 1075/2 SPD.
 TYPE: UF
 FRAME: 48Y
 VOLTS: 115
 PH: 1
 AMPS: 8.9 (10.3 MAX)
 HZ: 60
 INS: B
 AMB: 50°C
 DUTY: AIR OVER
 CAP.: 15 MFD/370V
 ENCL: OPEN
 CSA LOGO
 UL LOGO
 THERMALLY PROTECTED



614131-171

| | | |
|--|-----------|-----------|
| | 12/13 | |
| | [305/330] | |
| | 4.5/5.5 | .25[6.4]. |
| | [114/140] | |
| | 4.5/5.5 | .25[6.4]. |
| | [114/140] | |
| | 4.5/5.5 | .25[6.4]. |
| | [114/140] | |
| | 4.5/5.5 | .25[6.4]. |
| | [114/140] | |
| | 26/28 | .25[6.4] |
| | [660/711] | |
| | 26/28 | .25[6.4] |
| | [660/711] | |
| | 26/28 | .50[12.7] |
| | [660/711] | |
| | 26/28 | .50[12.7] |
| | [660/711] | |
| | 26/28 | .50[12.7] |
| | [660/711] | |

| | | | | | |
|---|--------------|-------|--------|-------|-----------------|
| | | | | | CSA |
| * | 64.6 OZ. FT. | ----- | E46412 | PRGY2 | LR43341 260-Ø-0 |

| | |
|--|--|
| | |
| | |
| | |

DISTRIBUTION SERVICES

- 形位公差
- 平面度
- 直线度
- ∠ 倾斜度
- ⊥ 垂直度
- ∥ 平行度
- 圆度
- ⊙ 圆柱度
- ⌒ 面轮廓度
- ⌒ 线轮廓度
- ↻ 圆跳动
- ⊕ 位置度
- ⊙ 同轴度
- ≡ 对称度

ASME Y14.5M 1994

REGAL-BELOIT CORPORATION (RBC) 在个别领域为客户提供技术支持。鉴于RBC未收到任何涉及电机使用和应用环境的数据，电机的适用性由客户自己决定。

未注公差尺寸仅供参考。

| | | |
|---|-----------|---------------------------------|
| 绘图: | D M JONES | 03-15-1999 |
| 批准: | J P MU | 03-15-1999 |
| 第三角投影 | | 图纸格式发布日期 11-11-2011 图纸格式版本 G |
| 机密: 本图纸及相关信息所有权归REGAL-BELOIT CORPORATION。未经REGAL-BELOIT CORPORATION书面授权, 不得泄露、复制、传播或作其他用途。一版权所有 | | |



名称
MODEL-RFHP-48FR
OUTLINE

| | | | |
|----|------|----|-----------|
| 图幅 | C | 图号 | 11760-082 |
| 比例 | NONE | 页号 | 1 |

4 3 2 1