

PRODUCT INFORMATION PACKET



Model No: DC4522
Catalog No: DC4522

Fan Coil & Air Conditioner Motor, 1/5 HP, 1 Ph, 60 Hz, 208-230 V, 1550 RPM, 2 Speed, 42 Frame, OPEN



Regal and Century are trademarks of Regal Rexnord Corporation or one of its affiliated companies.
©2022 Regal Rexnord Corporation, All Rights Reserved. MC017097E





Nameplate Specifications

Output HP	1/5 Hp	Output KW	0.15 kW
Frequency	60 Hz	Voltage	208-230 V
Current	2.8 A	Speed	1550 rpm
Service Factor	1	Phase	1
Duty	Air Over	Insulation Class	B
Frame	42Y	Enclosure	Open Enclosed
Thermal Protection	Automatic	Ambient Temperature	40 °C
UL	Recognized	CSA	Y
CE	N	Number of Speeds	2

Technical Specifications

Electrical Type	Permanent Split Capacitor	Starting Method	Across The Line
Poles	4	Rotation	Counterclockwise Lead End
Mounting	Resilient Rings	Motor Orientation	Horizontal
Drive End Bearing	Sleeve	Opp Drive End Bearing	Sleeve
Frame Material	Na	Shaft Type	Flat
Overall Length	24.00 in	Shaft Diameter	0.500 in
Shaft Extension	10.2X.5X10.2 in		
Outline Drawing	322P983-S01	Connection Drawing	7553A45F01

This is an uncontrolled document once printed or downloaded and is subject to change without notice. Date Created:11/29/2022

REV	ECO	REV BY	DATE	APPD	DATE
F	0025542	L.HEREDIA	04-25-2012	D.BALDERRAMA	04-25-2012

GENERAL INFORMATION:

SHAFT RUNOUT: .001[.03] T.I.R. PER INCH[25.4] LENGTH OF EXTENSION.

END PLAY: .010[.25] TO .063[1.60]

BEARINGS: SLEEVE

MOUNTING POSITION: HORIZONTAL

ELECTRICAL DATA:

OVERLOAD PROTECTOR: AUTOMATIC RESET (T.I. 7AM 304)

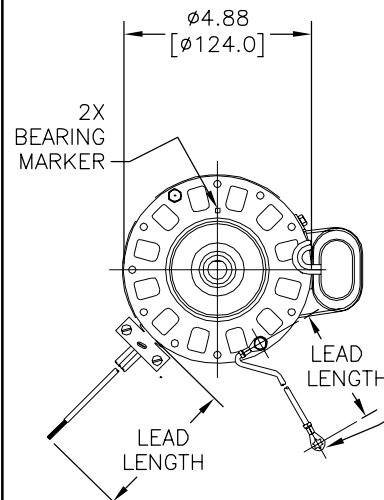
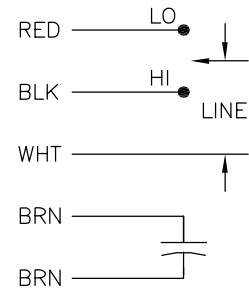
LEADS: NO. 18 GA., .03[.8] THK., 125°C INSUL.

GROUND LEAD: NO. 18 GA., .03[.8] THK., GREEN INSUL.

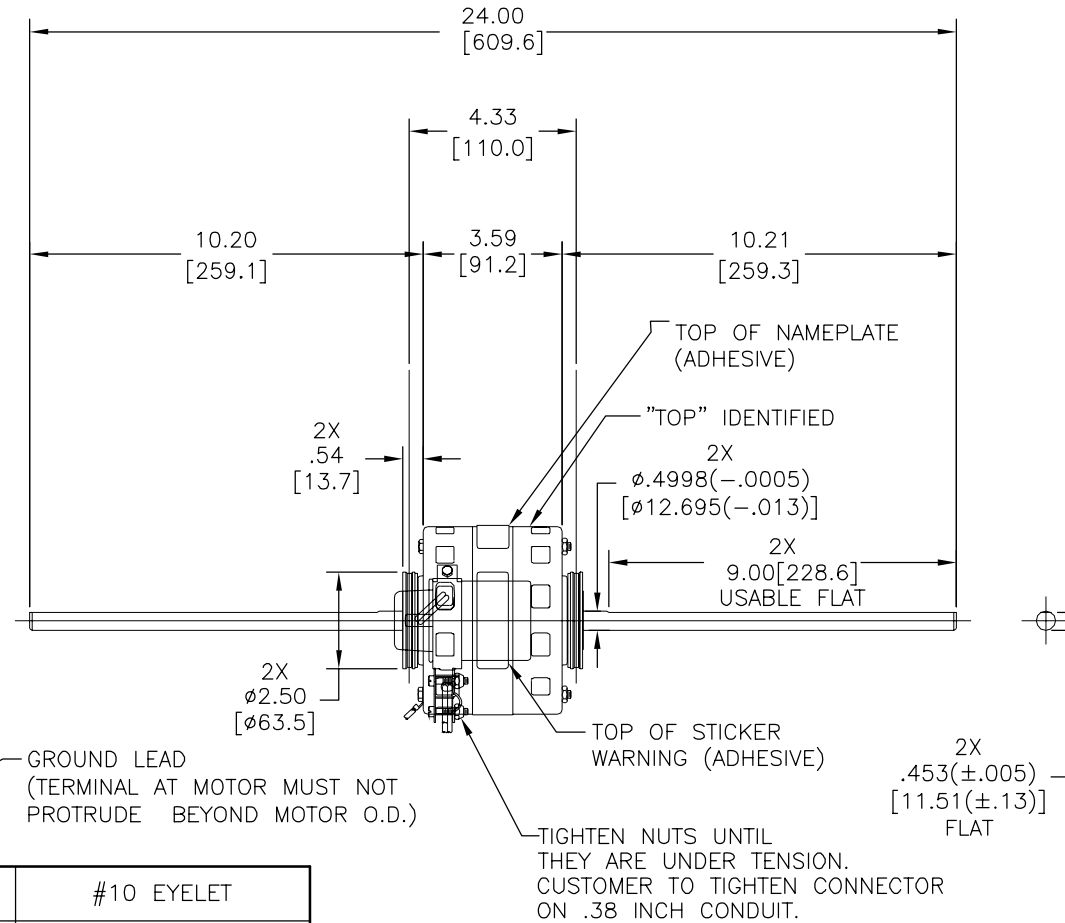
NAMEPLATE DATA:

MODEL NO.: 322P983
 CUST. P/N: DC4522
 HP: 1/5
 ROT.: CCWLE
 RPM: 1550/2 SPD.
 TYPE: FLL
 FRAME: 42Y
 VOLTS: 208-230
 PH: 1
 AMPS: 2.8
 HZ: 60
 INS.: B
 AMB.: 40 °C
 DUTY: AIR OVER
 CAP.: 5 MFD/370 V
 CSA LOGO
 UL LOGO
 THERMALLY PROTECTED
 TYPE C

EXTERNAL CONNECTION DIAGRAM



CCW
 ←
 ROT.



GREEN (GRD)	5/7[127/178]	#10 EYELET
BROWN	CONNECTED TO CAPACITOR	.25[6.4] FLAG
BROWN	CONNECTED TO CAPACITOR	.25[6.4] FLAG
RED	29.5-31.5 [749-800]	.50[12.7] SKIN
BLACK	29.5-31.5 [749-800]	.50[12.7] SKIN
WHITE	29.5-31.5 [749-800]	.50[12.7] SKIN
COLOR	LENGTH	TERMINAL OR STRIP LENGTH

MAIN FRAME - OLE	OPEN
END FRAME - OLE	OPEN
MAIN FRAME - LE	OPEN
END FRAME - LE	OPEN

CUSTOMER	DISTRIBUTION SERVICE
----------	----------------------

PERFORMANCE CURVE NO.	TORQUE @ 1550 RPM (25°C)	APPROVED SAMPLE	UL COMPONENT FILE #	CCN #	CSA FILE #	CLASS #
C30270	24.0 OZ. FT.	88AC435A	E46412	PRGY2	LR43341	4211-01

GEOMETRIC CHARACTERISTICS & SYMBOLS
 ▽ FLATNESS
 — STRAIGHTNESS
 ∠ ANGULARITY
 ⊥ PERPENDICULARITY (SQUARENESS)
 // PARALLELISM
 ○ ROUNDNESS (CIRCULARITY)
 Ⓞ CYLINDRICITY
 △ PROFILE OF ANY SURFACE
 ∩ PROFILE OF ANY LINE
 Ⓜ RUNOUT
 ⊕ TRUE POSITION
 ⊙ CONCENTRICITY
 ≡ SYMMETRY

REGAL-BELOIT CORPORATION (RBC) PROVIDES TECHNICAL ASSISTANCE TO OUR CUSTOMERS IN SEVERAL AREAS. SINCE RBC DOES NOT RECEIVE ALL DATA CONCERNING THE USE AND APPLICATION OF THE MOTOR, THE SUITABILITY OF THE MOTOR FOR THE APPLICATION MUST BE DETERMINED BY THE CUSTOMER.

DIMENSIONS WITHOUT TOLERANCES ARE FOR REFERENCE ONLY.

DR BY: SW 01-02-2008
 APPD: CB 01-16-2008
 EDS DATE 11-11-2011
 FORMAT REV G
 THIRD ANGLE PROJECTION
 CONFIDENTIAL: THIS DRAWING AND ITS INFORMATION ARE THE EXCLUSIVE AND CONFIDENTIAL PROPERTY OF REGAL-BELOIT CORPORATION AND ARE NOT TO BE DISCLOSED, DUPLICATED, DISTRIBUTED OR OTHERWISE USED WITHOUT THE WRITTEN CONSENT OF REGAL-BELOIT CORPORATION. -ALL RIGHTS RESERVED.

REGAL-BELOIT CORPORATION
 DESCRIPTION: OUTLINE
 SIZE: C DWG NO: 322P983-0L
 SCALE: NONE SHEET 1

4 3 2 1

REVISION:	ECO	REVISADO POR:	FECHA:	APROBADO POR:	FECHA:
F	0025542	L.HEREDIA	04-25-2012	D.BALDERRAMA	04-25-2012

INFORMACION GENERAL:

OSCILACION DE FLECHA: .001[.03] L.T.I. POR PULG. DE LONGITUD DE EXTENSION

JUEGO AXIAL: .010[.25] A .063[1.60]

BALEROS: FUNDA

POSICION DEL MONTAJE: HORIZONTAL

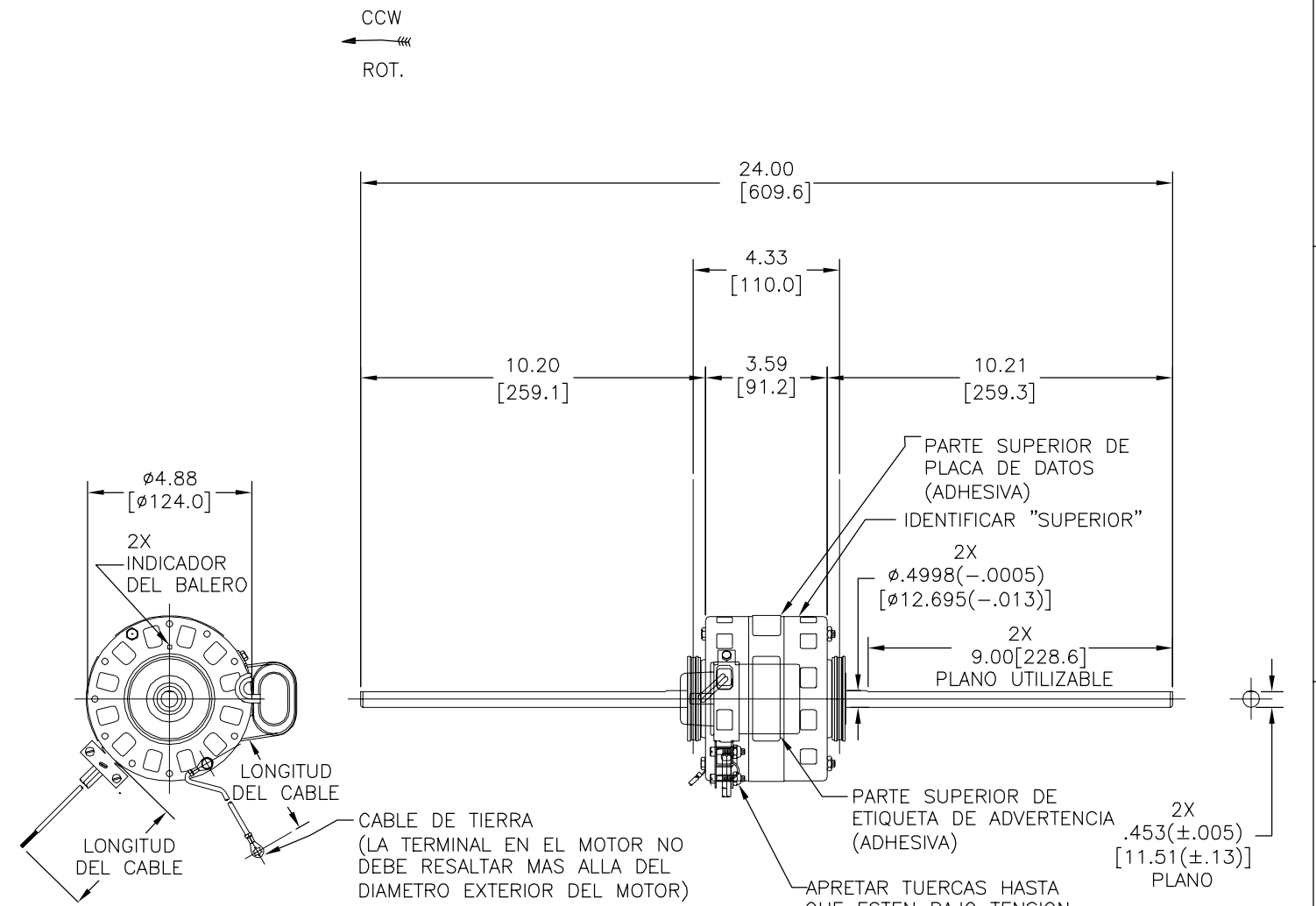
INFORMACION ELECTRICA:

PROTECTOR DE SOBRECARGA: REINICIO AUTOMATICO (T.I. 7AM 304)

CABLES: CALIBRE 18 AISLANTE .03[.8] DE GROSOR 125°C

CABLE DE TIERRA: CALIBRE 18 AISLANTE .03[.8] DE GROSOR (VERDE)

INFORMACION DE ETIQUETA:	DIAGRAMA DE CONEXION EXTRNA
MODEL NO.: 322P983 CUST. P/N: DC4522 HP: 1/5 ROT.: CCWLE RPM: 1550/2 SPD. TYPE: FLL FRAME: 42Y VOLTS: 208-230 PH: 1 AMPS: 2.8 HZ: 60 INS.: B AMB.: 40 °C DUTY: AIR OVER CAP.: 5 MFD/370 V CSA LOGO UL LOGO THERMALLY PROTECTED TYPE C	



VERDE (TIERRA)	5/7 [127/178]	#10 ANILLO
CAFE	CONECTADO AL CAPACITOR	.25 [6.4] BANDERA
CAFE	CONECTADO AL CAPACITOR	.25 [6.4] BANDERA
ROJO	29.5-31.5 [749-800]	.50 [12.7] FORRO
NEGRO	29.5-31.5 [749-800]	.50 [12.7] FORRO
BLANCO	29.5-31.5 [749-800]	.50 [12.7] FORRO
COLOR	LONGITUD	TERMINAL O LONGITUD DE DESFORRE

CARCASA - LOC	ABIERTA
TAPA - LOC	ABIERTA
CARCASA - LC	ABIERTA
TAPA - LC	ABIERTA

CLIENTE	DISTRIBUTION SERVICE
---------	----------------------

CURVAS DE FUNCIONAMIENTO	TORSION @ 1550 RPM (25°C)	MUESTRA APROBADA	COMPONENTE UL	CSA
C30270	24.0 ONZAS PIE	88AC435A	#ARCHIVO PRGY2	CLASE # 4211-01

CARACTERISTICAS DE GEOMETRIA Y SIMBOLOS

- PLANICIDAD
- RECTITUD
- ∠ ANGULARIDAD
- ⊥ PERPENDICULARIDAD (A ESCUADRA)
- // PARALELISMO
- REDONDEZ (CIRCULARIDAD)
- ⊘ CILINDRICIDAD
- △ PERFIL DE CUALQUIER SUPERFICIE
- ▽ PERFIL DE CUALQUIER LINEA
- ↗ VARIACION
- ⊕ POSICION REAL
- ⊙ CONCENTRICIDAD
- ≡ SIMETRIA

ASME Y14.5M 1994

REGAL-BELOIT CORPORATION (RBC) PROVEE ASISTENCIA TECNICA A NUESTROS CLIENTES EN VARIAS AREAS DESDE QUE RBC NO RECIBE TODOS LOS DATOS EN RELACION AL USO Y A LA APLICACION DEL MOTOR, LA APLICACION ADECUADA DEL MOTOR DEBE SER DETERMINADA POR EL CLIENTE.

DIMENSIONES SIN TOLERANCIA SON DE REFERENCIA SOLAMENTE

DIBUJADO POR: SW 01-02-2008

APROBADO POR: CB 01-16-2008

TERCER ANGULO DE PROYECCION

FECHA EDS: 11-11-2011

REV. FORMATO: G

CONFIDENCIAL: ESTE DIBUJO Y SU INFORMACION SON PROPIEDAD DE USO EXCLUSIVO Y CONFIDENCIAL DE REGAL-BELOIT CORPORATION. Y NO DEBERAN SER REVELADOS, DUPLICADOS, DISTRIBUIDOS O USARSE DE OTRA MANERA SIN EL CONSENTIMIENTO ESCRITO DE REGAL-BELOIT CORPORATION. -TODOS LOS DERECHOS RESERVADOS.

REGAL-BELOIT CORPORATION

DESCRIPCION: OUTLINE

TAMAÑO: C NUMERO DE DIBUJO: 322P983-0L

ESCALA: NONE HOJA: 1

4 3 2 1

4 3 2 1

总技术要求:

轴跳动: .001[.03] T.I.R. PER INCH[25.4] LENGTH OF EXTENSION.

端部窜动量 .010 TO .063 [.25 TO 1.60]

轴承: SLEEVE

安装位置: HORIZONTAL

电气数据:

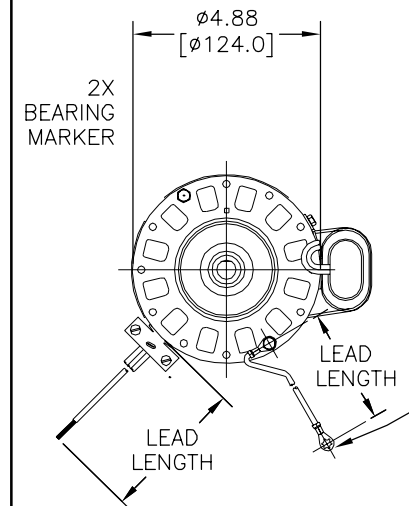
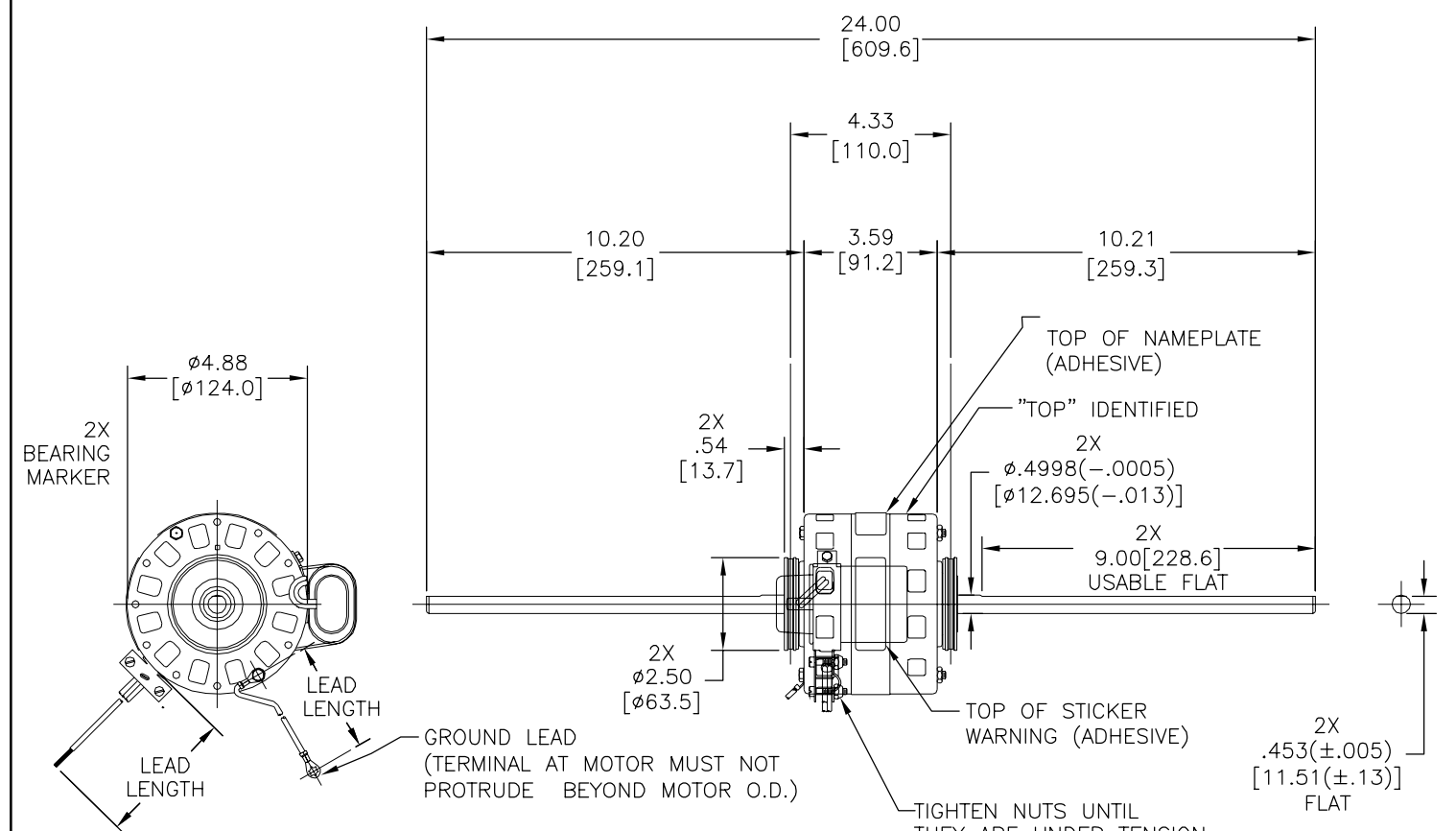
过载保护: AUTOMATIC RESET (T.I. 7AM 304)

引线: NO. 18 GA., .03[.8] THK., 125°C INSUL.

接地线: NO. 18 GA., .03[.8] THK., GREEN INSUL.

版本	ECO	编制	日期	批准	日期
F	0025542	L.HEREDIA	04-25-2012	D.BALDERRAMA	04-25-2012

CCW
←
ROT.



GREEN (GRD)	5/7[127/178]	#10 EYELET
BROWN	CONNECTED TO CAPACITOR	.25[6.35] FLAG
BROWN	CONNECTED TO CAPACITOR	.25[6.35] FLAG
RED	29.5-31.5 [749-800]	.50[12.7] SKIN
BLACK	29.5-31.5 [749-800]	.50[12.7] SKIN
WHITE	29.5-31.5 [749-800]	.50[12.7] SKIN
颜色	长度	端子或剥线长度

无引线端机壳	OPEN
无引线端端盖	OPEN
有引线端机壳	OPEN
有引线端端盖	OPEN

用户	DISTRIBUTION SERVICE
----	----------------------

铭牌数据	外部数据线
MODEL NO.: 322P983 CUST. P/N: DC4522 HP: 1/5 ROT.: CCWLE RPM: 1550/2 SPD. TYPE: FLL FRAME: 42Y VOLTS: 208-230 PH: 1 AMPS: 2.8 HZ: 60 INS.: B AMB.: 40 °C DUTY: AIR OVER CAP.: 5 MFD/370 V CSA LOGO UL LOGO THERMALLY PROTECTED TYPE C	

性能曲线编号	TORQUE @ 1550 RPM (25°C)	批准样品	UL部件	CSA
C30270		88AC435A	文件号 指南	文件号 指南
			E46412 PRGY2	LR43341 4211-01

形位公差
 □ 平面度
 — 直线度
 ∠ 倾斜度
 ⊥ 垂直度
 ∥ 平行度
 ○ 圆度
 ⌀ 圆柱度
 面轮廓度
 线轮廓度
 圆跳动
 位置度
 ⊙ 同轴度
 ≡ 对称度

ASME Y14.5M 1994

REGAL-BELOIT CORPORATION (RBC) 在个别领域为客户提供技术支持。鉴于RBC未收到任何涉及电机使用和应用环境的数据，电机的适用性由客户自己决定。

未注公差尺寸仅供参考。

绘图: SW 01-02-2008
 批准: CB 01-16-2008
 第三角投影
 机密: 本图纸及相关信息所有权归REGAL-BELOIT CORPORATION。未经REGAL-BELOIT CORPORATION书面授权，不得泄露、复制、传播或作其他用途。一版权所有

名称		REGAL-BELOIT CORPORATION	
图幅		C	
图号		322P983-0L	
比例	NONE	页号	1

4 3 2 1