

PRODUCT INFORMATION PACKET



Model No: DBL6501A
Catalog No: DBL6501A
Fan Coil & Air Conditioner Motor, 1/10,1/12,1/15,1/20 HP, 1 Ph, 60 Hz, 115 V, 1075 RPM, 4 Speed,
42 Frame, OPEN



Regal and Century are trademarks of Regal Rexnord Corporation or one of its affiliated companies.
©2024 Regal Rexnord Corporation, All Rights Reserved. MC017097E





Nameplate Specifications

Phase	1	Output HP	1/10,1/12,1/15,1/20 Hp
Voltage	115 V	Speed	1075 rpm
Service Factor	1.0	Frame	42
Enclosure	Open Enclosed	Thermal Protection	Automatic
Ambient Temperature	40 °C	Frequency	60 Hz
Current	2.1,1.54,1.25,1.05 A	Duty	Air Over
Insulation Class	B	UL	Recognized
CSA	Y	CE	N
Number of Speeds	4		

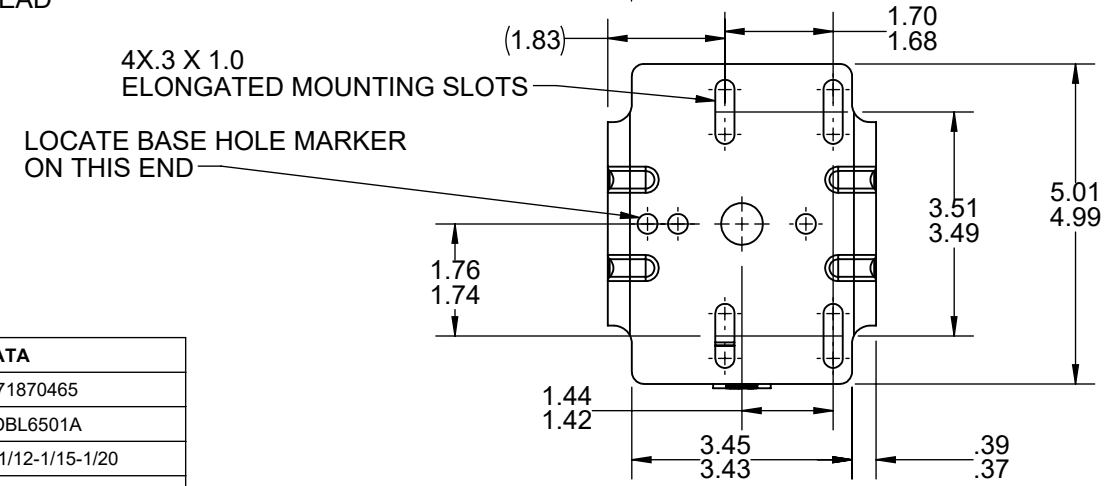
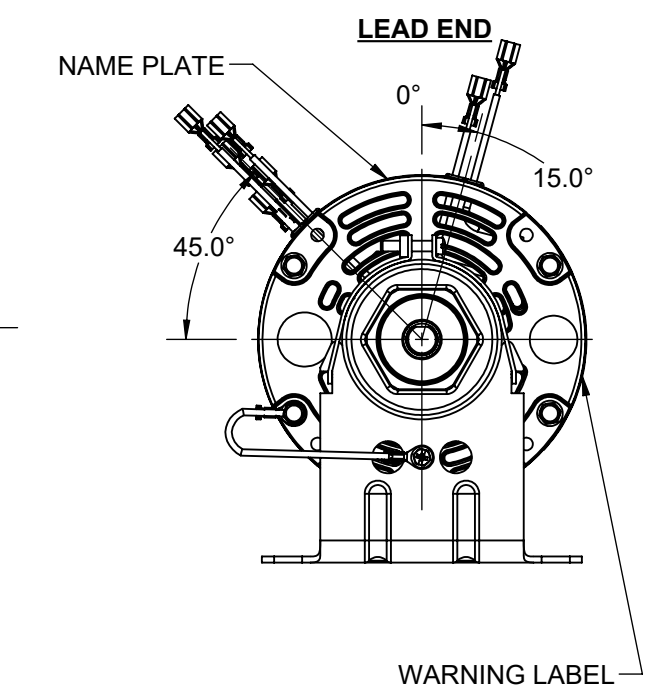
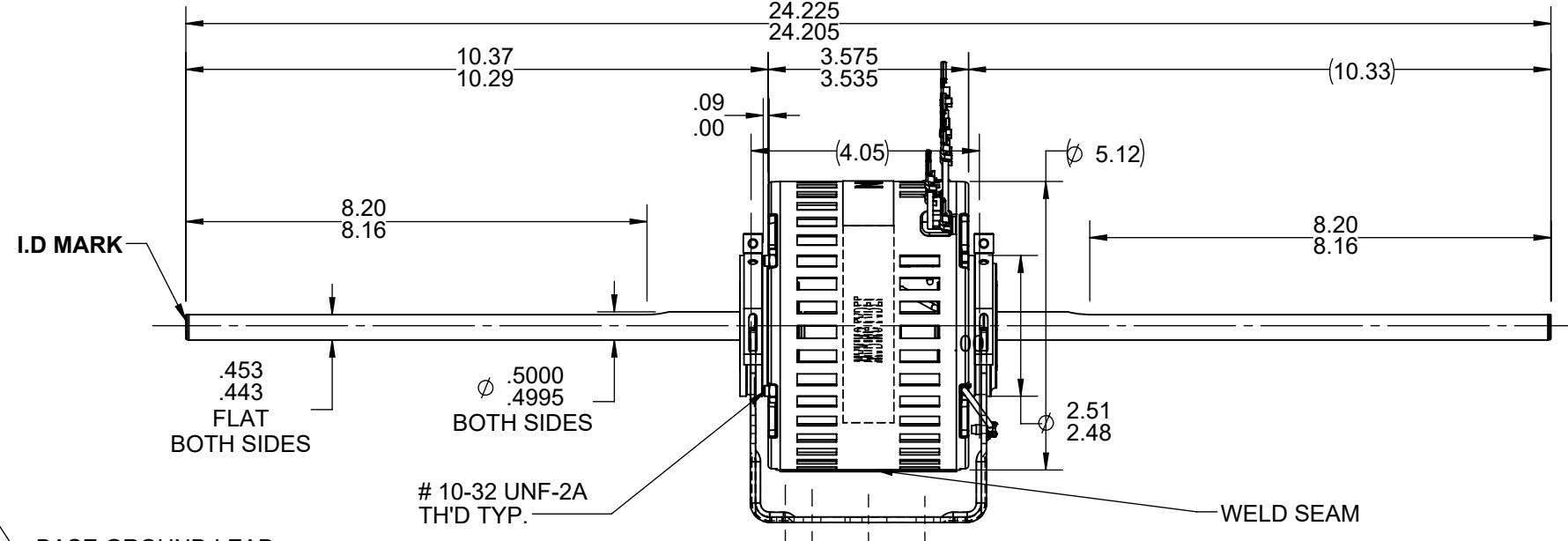
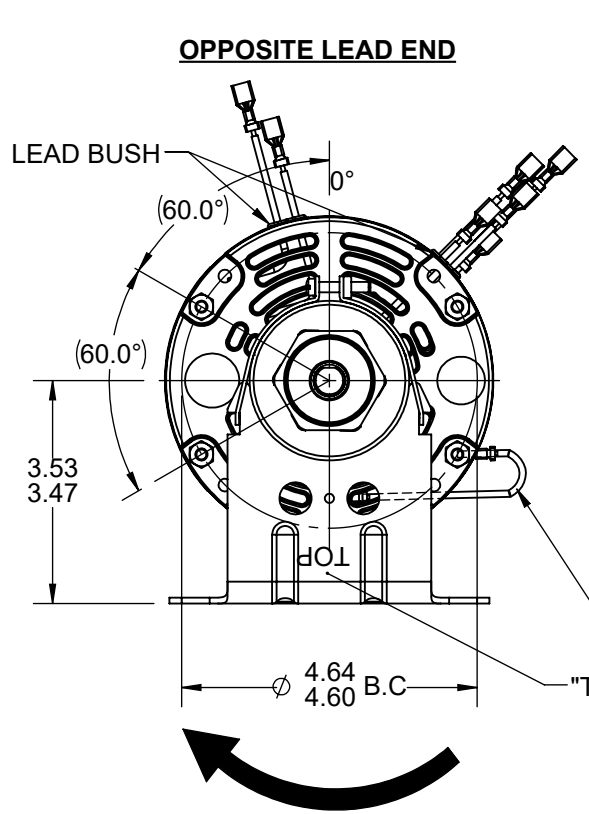
Technical Specifications

Electrical Type	Permanent Split Capacitor	Starting Method	Across The Line
Poles	6	Rotation	Counterclockwise Lead End
Mounting	Resilient Base	Drive End Bearing	Ball
Opp Drive End Bearing	Ball	Frame Material	Rolled Steel
Shaft Type	Flat	Frame Length	3.58 in
Shaft Diameter	0.500 in	Shaft Extension	10.33x.5x10.33 in
Outline Drawing	71870465R		

This is an uncontrolled document once printed or downloaded and is subject to change without notice. Date Created:07/03/2024

S.NO	CONNECTION	COLOR	EXIT TYPE	EXIT LOC (VIEWING LE)	GAGE	MATERIAL	WALL THK.	LENGTH (±1.50)	TERMINATION
1	COMMON LEAD	WHITE	LEAD BUSH	10:30	18	XLPE	2/64	40.0	0.25 SQC UNINSULATED
2	CAPACITOR LEAD	BROWN	LEAD BUSH	12:30	18	XLPE	2/64	24.0	0.25 SQC UNINSULATED
3	CAPACITOR LEAD	BROWN	LEAD BUSH	12:30	18	XLPE	2/64	24.0	0.25 SQC UNINSULATED
4	HIGH SPEED LEAD	BLACK	LEAD BUSH	10:30	18	XLPE	2/64	40.0	0.25 SQC UNINSULATED
5	MEDIUM HIGH SPEED LEAD	YELLOW	LEAD BUSH	10:30	18	XLPE	2/64	40.0	0.25 SQC UNINSULATED
6	MEDIUM LOW SPEED LEAD	BLUE	LEAD BUSH	10:30	18	XLPE	2/64	40.0	0.25 SQC UNINSULATED
7	LOW SPEED LEAD	RED	LEAD BUSH	10:30	18	XLPE	2/64	40.0	0.25 SQC UNINSULATED
8	BASE GROUND LEAD	GREEN	CLAMP SCREW	8:00	18	THERMOPLASTIC	2/64	5.0	# 8 SERR EYELET

VENTILATION SYSTEM	
SHELL VENTS	OPEN
ENDSHIELD(OPP.LEAD END)	OPEN
ENDSHIELD(LEAD END)	OPEN



NAME PLATE DATA	
MODEL	71870465
CUST P/N	DBL6501A
HP	1/10-1/12-1/15-1/20
RPM	1075 (4 SPD)
VOLTS	115
HZ	60
SPEEDS	4
AMPS	2.10 1.54 1.25 1.05
CAP REQ D-1	5.0/370
CAP REQ D-2	N/R
CONN. DRW	NP24X350515
ROTATION	CCWLE

NOTE:

- NAMEPLATE LABEL LOCATION: 360 ° -CENTER - READ FROM LE WITH RESPECT TO MOTOR ZERO.
- OVERLOAD PROTECTOR : AUTOMATIC RESET (7AM 033)

DRAWING REVISION AD	REVISION BY SURYA	REV DATE/© DATE 05/08/2024	DRAWN BY Muralidar	 Regal Beloit America, Inc.
REQUEST NUMBER ECR-0233789	APPROVED BY Muralidar	DATE 05/08/2024	DATE 4/17/2023	
REQUEST NUMBER DESCRIPTION REMOVED SUFFIX R FROM NAME PLATE DETAILS			APPROVED BY RS	DESCRIPTION OUTLINE
COPYRIGHT (PER REVISION DATE) REGAL BELOIT AMERICA, INC. ALL RIGHTS RESERVED. PROPRIETARY AND CONFIDENTIAL INFORMATION - THIS DOCUMENT IS THE PROPERTY OF REGAL BELOIT AMERICA, INC. ("OWNER") AND CONTAINS OWNER'S PROPRIETARY INFORMATION. ANY PERSON, CORPORATION OR OTHER FIRM RECEIVING IT IS DEEMED, BY RECEIVING IT, TO AGREE THAT IT, AND/OR ANY PART OF IT, SHALL NOT BE DISCLOSED TO ANY PERSON, CORPORATION OR OTHER ENTITY, DUPLICATED, AND/OR USED, EXCEPT AS EXPRESSLY APPROVED IN WRITING IN ADVANCE BY OWNER. THIS DOCUMENT SHALL BE RETURNED TO OWNER UPON REQUEST. IT MAY BE SUBJECT TO CERTAIN RESTRICTIONS UNDER APPLICABLE EXPORT CONTROL LAWS AND REGULATIONS.			DATE 4/18/2023	CUSTOMER NAME: DISTRIBUTION SERVICES
PRIMARY DIMENSIONS ARE INCH mm DIMENSIONS IN [BRACKETS] ARE FOR REFERENCE ONLY			REFERENCE	MATERIAL
THIRD ANGLE PROJECTION			SIZE B	PROCESS/FINISH
			DRAWING NUMBER 71870465R	SHEET 1 OF 1