

PRODUCT INFORMATION PACKET



Model No: DBL4500V1
Catalog No: DBL4500V1
Fan Coil & Air Conditioner Motor, 1/10-1/12-1/15 HP, 1 Ph, 60 Hz, 115 V, 1625 RPM, 3 Speed,
42 Frame, OPEN



Regal and Century are trademarks of Regal Rexnord Corporation or one of its affiliated companies.
©2022 Regal Rexnord Corporation, All Rights Reserved. MC017097E





Nameplate Specifications

Output HP	1/10-1/12-1/15 Hp	Output KW	0.07 kW
Frequency	60 Hz	Voltage	115 V
Current	1.3/1.0/0.7 A	Speed	1625 rpm
Service Factor	1	Phase	1
Duty	Air Over	Insulation Class	A
Frame	42Y	Enclosure	Open Enclosed
Thermal Protection	Automatic	Ambient Temperature	40 °C
UL	Recognized	CSA	Y
CE	N	Number of Speeds	3

Technical Specifications

Electrical Type	Permanent Split Capacitor	Starting Method	Across The Line
Poles	4	Rotation	Counterclockwise Lead End
Mounting	Resilient Base	Motor Orientation	Horizontal
Drive End Bearing	Sleeve	Opp Drive End Bearing	Sleeve
Frame Material	Na	Shaft Type	Flat
Overall Length	22.00 in	Shaft Diameter	0.500 in
Shaft Extension	9.3X.5X9.3 in		
Outline Drawing	11840-040-S01	Connection Drawing	2488A21F01

This is an uncontrolled document once printed or downloaded and is subject to change without notice. Date Created:11/28/2022

4 3 2 1

REV	ECO	REV BY	DATE	APPD	DATE
E	0025542	O. CARVAJAL	04-25-2012	D. BALDERRAMA	04-25-2012

GENERAL INFORMATION:

SHAFT RUNOUT: .001 [.03] T.I.R. PER INCH LENGTH OF EXTENSION

END PLAY: .010[.25] TO .063[1.60]

BEARINGS: SLEEVE

MOUNTING POSITION: HORIZONTAL

ELECTRICAL DATA:

OVERLOAD PROTECTOR: AUTOMATIC RESET (T.I. 7AM 034)

LEADS: NO. 18 GA., .03 [.8] THK. 125°C INSUL.

GROUND LEAD: NO. 18 GA., .03 [.8] THK. GREEN INSUL.

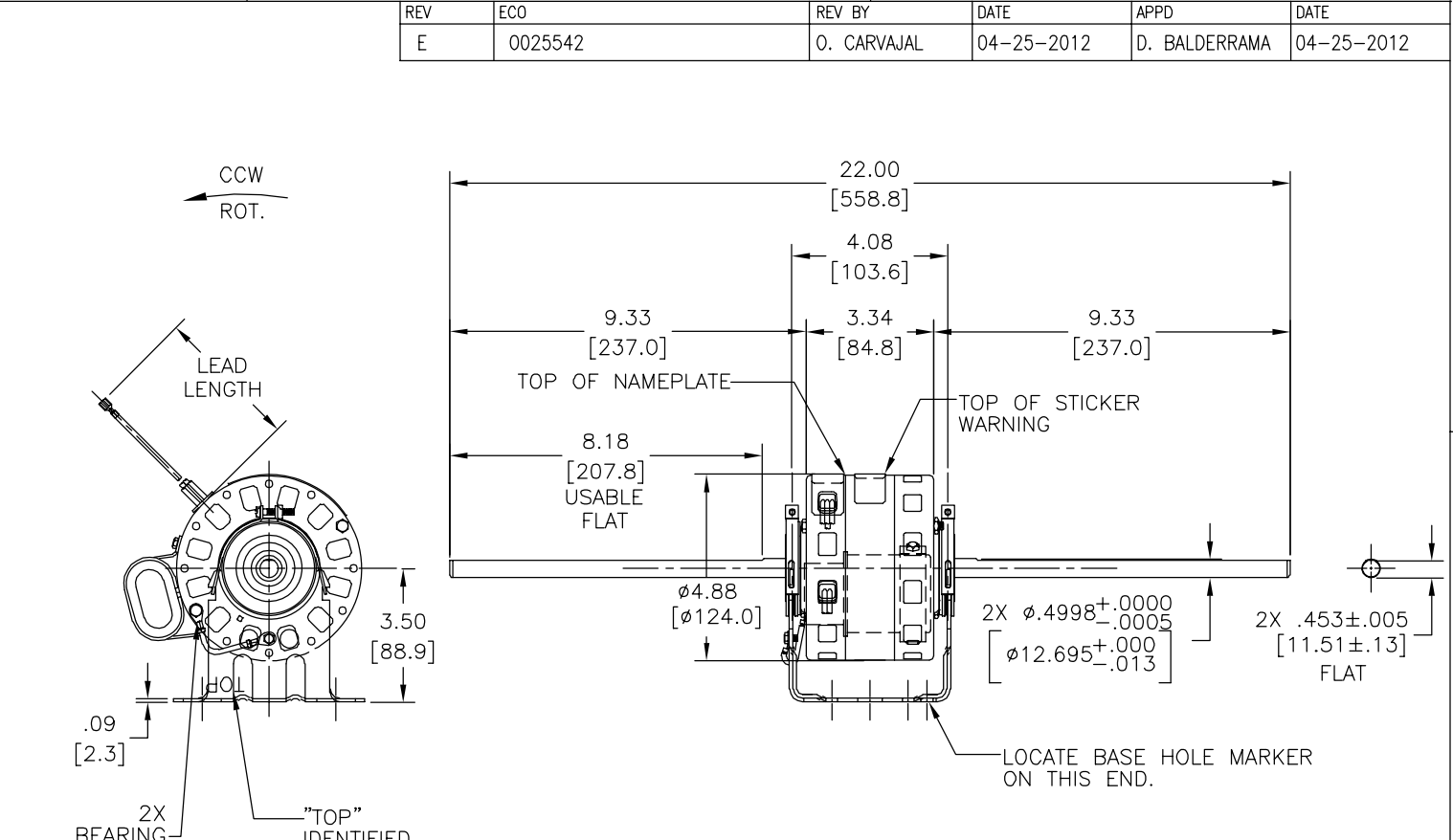
NAMEPLATE DATA:	EXTERNAL CONNECTION DIAGRAM
MODEL NO.: F42F20A01 CUST. P/N: [] HP: 1/10, 1/12, 1/15 ROT.: CCWLE RPM: 1625 TYPE: FLL FRAME: 42Y VOLTS: 115 PH: 1 AMPS: 1.3, 1.0, 0.7 HZ: 60 INS.: A AMB.: 40° C DUTY: AIR OVER CAP.: 5 MFD/370V ENCL: - UL LOGO CSA LOGO THERMALLY PROTECTED	

PERFORMANCE CURVE NO.	TORQUE @ 1075 RPM (25°C)	APPROVED SAMPLE	UL COMPONENT FILE #	CCN #	CSA FILE #	CLASS #
C31729	6.0 OZ. FT.	98AC384A	E46412	PRGY2	LR43341	4211-01

GEOMETRIC CHARACTERISTICS & SYMBOLS

- FLATNESS
- STRAIGHTNESS
- ANGULARITY
- PERPENDICULARITY (SQUARENESS)
- PARALLELISM
- ROUNDNESS (CIRCULARITY)
- CYLINDRICITY
- PROFILE OF ANY SURFACE
- PROFILE OF ANY LINE
- RUNOUT
- TRUE POSITION
- CONCENTRICITY
- SYMMETRY

ASME Y14.5M 1994



NOTE:
 DISTRIBUTION: CUST. P/N: DBL4500V1
 GRAINGER: CUST. P/N: 4UU16

COLOR	LENGTH	TERMINAL OR STRIP LENGTH
GREEN (GROUND)	CONNECTED TO BASE	#8 EYELET
BROWN	CONNECTED TO CAP	.25 [6.4] FLAG
BROWN	CONNECTED TO CAP	.25 [6.4] FLAG
RED	38.5/41.5 [978/1054]	.25 [6.4] FEMALE SPADE
BLUE	38.5/41.5 [978/1054]	.25 [6.4] FEMALE SPADE
BLACK	38.5/41.5 [978/1054]	.25 [6.4] FEMALE SPADE
WHITE	38.5/41.5 [978/1054]	.25 [6.4] FEMALE SPADE

MAIN FRAME - OLE	OPEN
END FRAME - OLE	OPEN
MAIN FRAME - LE	OPEN
END FRAME - LE	OPEN

CUSTOMER	DISTRIBUTION SERVICE
----------	----------------------

REGAL-BELOIT CORPORATION (RBC) PROVIDES TECHNICAL ASSISTANCE TO OUR CUSTOMERS IN SEVERAL AREAS. SINCE RBC DOES NOT RECEIVE ALL DATA CONCERNING THE USE AND APPLICATION OF THE MOTOR, THE SUITABILITY OF THE MOTOR FOR THE APPLICATION MUST BE DETERMINED BY THE CUSTOMER.

DIMENSIONS WITHOUT TOLERANCES ARE FOR REFERENCE ONLY.

DR BY: CORDON 08-23-2004
 APPD: PIATT 08-24-2004
 EDS DATE 11-11-2011
 FORMAT REV G

THIRD ANGLE PROJECTION

CONFIDENTIAL: THIS DRAWING AND ITS INFORMATION ARE THE EXCLUSIVE AND CONFIDENTIAL PROPERTY OF REGAL-BELOIT CORPORATION AND ARE NOT TO BE DISCLOSED, DUPLICATED, DISTRIBUTED OR OTHERWISE USED WITHOUT THE WRITTEN CONSENT OF REGAL-BELOIT CORPORATION. -ALL RIGHTS RESERVED.

REGAL-BELOIT CORPORATION

DESCRIPTION: OUTLINE

SIZE: C DWG NO: 11840-040

SCALE: NONE SHEET 1

4 3 2 1

4 3 2 1

REVISION:	ECO	REVISADO POR:	FECHA:	APROBADO POR:	FECHA:
E	0025542	O. CARVAJAL	04-25-2012	D. BALDERRAMA	04-25-2012

INFORMACION GENERAL:

OSCILACION DE FLECHA: .001 [.03] L.T.I. LONG. DE EXTENSION POR PULGADA

JUEGO AXIAL: .010[.25] A .063[1.60]

BALEROS: MANGA

POSICION DEL MONTAJE: HORIZONTAL

INFORMACION ELECTRICA:

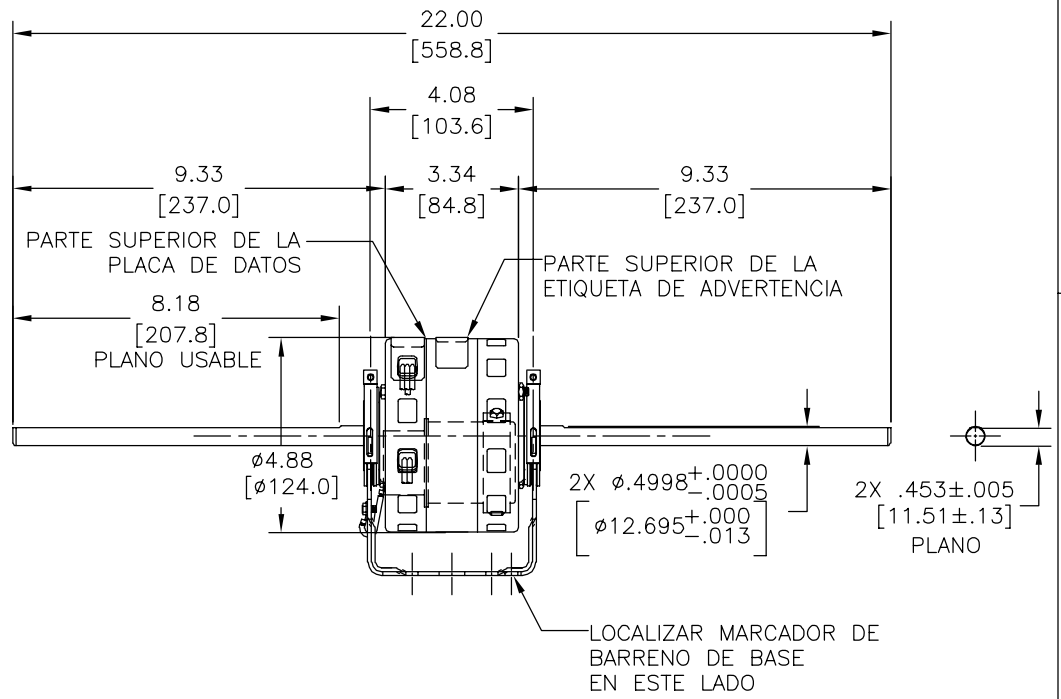
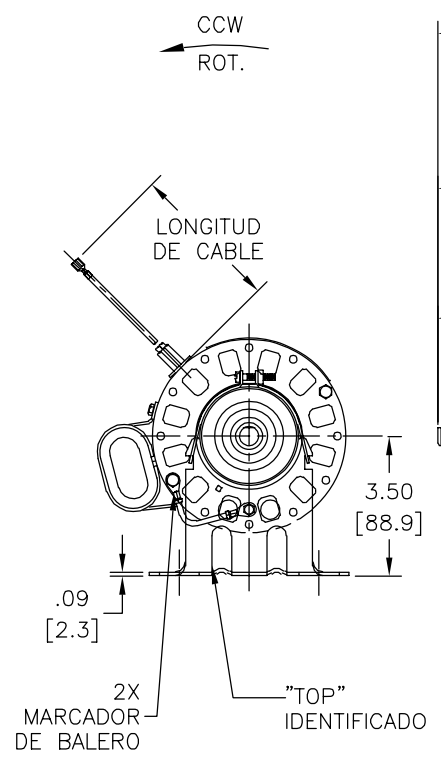
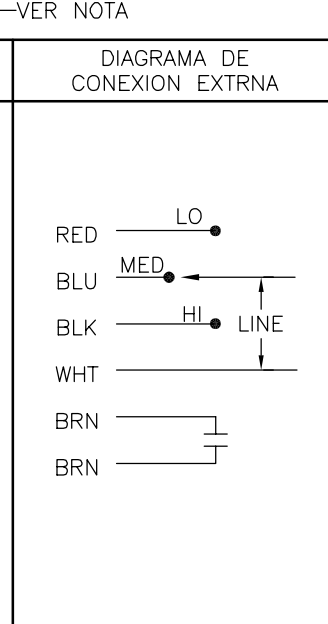
PROTECTOR DE SOBRECARGA: REINICIO AUTOMATICO (T.I. 7AM 034)

CABLES: NO. 18 GA., .03 [.8] ESPESOR 125°C AISLANTE

CABLE DE TIERRA: NO. 18 GA., .03 [.8] ESPESOR (VERDE) AISLANTE

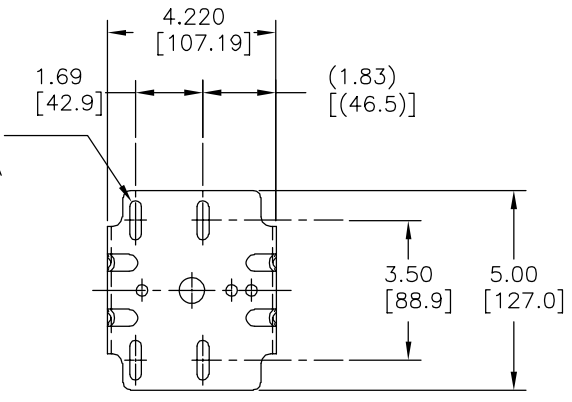
INFORMACION DE ETIQUETA:

MODEL NO.: F42F20A01
 CUST. P/N: []
 HP: 1/10, 1/12, 1/15
 ROT.: CCWLE
 RPM: 1625
 TYPE: FLL
 FRAME: 42Y
 VOLTS: 115
 PH: 1
 AMPS: 1.3, 1.0, 0.7
 HZ: 60
 INS.: A
 AMB.: 40° C
 DUTY: AIR OVER
 CAP.: 5 MFD/370V
 ENCL: -
 UL LOGO
 CSA LOGO
 THERMALLY PROTECTED



NOTA:
 DISTRIBUTION: CUST. P/N: DBL4500V1
 GRAINGER: CUST. P/N: 4UU16

COLOR	LONGITUD	TERMINAL O LONGITUD DE DESFORRE
VERDE (TIERRA)	CONECTADO A LA BASE	OJAL #8
CAFE	CONECTADO AL CAPACITOR	.25 [6.4] TERM. TIPO BANDERA
CAFE	CONECTADO AL CAPACITOR	.25 [6.4] TERM. TIPO BANDERA
ROJO	38.5/41.5 [978/1054]	.25 [6.4] TERM. HEMBRA TIPO ESPADA
AZUL	38.5/41.5 [978/1054]	.25 [6.4] TERM. HEMBRA TIPO ESPADA
NEGRO	38.5/41.5 [978/1054]	.25 [6.4] TERM. HEMBRA TIPO ESPADA
BLANCO	38.5/41.5 [978/1054]	.25 [6.4] TERM. HEMBRA TIPO ESPADA



CARCASA - LOC	ABIERTO
TAPA - LOC	ABIERTO
CARCASA - LC	ABIERTO
TAPA - LC	ABIERTO

CLIENTE	DISTRIBUTION SERVICE
---------	----------------------

CURVAS DE FUNCIONAMIENTO	TORSION @ 1075 RPM (25°C)	MUESTRA APROBADA	COMPONENTE UL	CSA
C31729	6.0 OZ. FT.	98AC384A	#ARCHIVO PRGY2	LR43341 4211-01

CARACTERISTICAS DE GEOMETRIA Y SIMBOLOS

- PLANICIDAD
- RECTITUD
- ANGULARIDAD
- PERPENDICULARIDAD (A ESCUADRA)
- PARALELISMO
- REDONDEZ (CIRCULARIDAD)
- CILINDRICIDAD
- PERFIL DE CUALQUIER SUPERFICIE
- PERFIL DE CUALQUIER LINEA
- VARIACION
- POSICION REAL
- CONCENTRICIDAD
- SIMETRIA

ASME Y14.5M 1994

REGAL-BELOIT CORPORATION (RBC) PROVEE ASISTENCIA TECNICA A NUESTROS CLIENTES EN VARIAS AREAS DESDE QUE RBC NO RECIBE TODOS LOS DATOS EN RELACION AL USO Y A LA APLICACION DEL MOTOR, LA APLICACION ADECUADA DEL MOTOR DEBE SER DETERMINADA POR EL CLIENTE.

DIMENSIONES SIN TOLERANCIA SON DE REFERENCIA SOLAMENTE

DIBUJADO POR: CORDON 08-23-2004

APROBADO POR: PIATT 08-24-2004

FECHA EDS: 11-11-2011

REV. FORMATO: G

CONFIDENCIAL: ESTE DIBUJO Y SU INFORMACION SON PROPIEDAD DE USO EXCLUSIVO Y CONFIDENCIAL DE REGAL-BELOIT CORPORATION. Y NO DEBERAN SER REVELADOS, DUPLICADOS, DISTRIBUIDOS O USARSE DE OTRA MANERA SIN EL CONSENTIMIENTO ESCRITO DE REGAL-BELOIT CORPORATION. -TODOS LOS DERECHOS RESERVADOS.

REGAL-BELOIT CORPORATION

DESCRIPCION: OUTLINE

TAMAÑO: C NUMERO DE DIBUJO: 11840-040

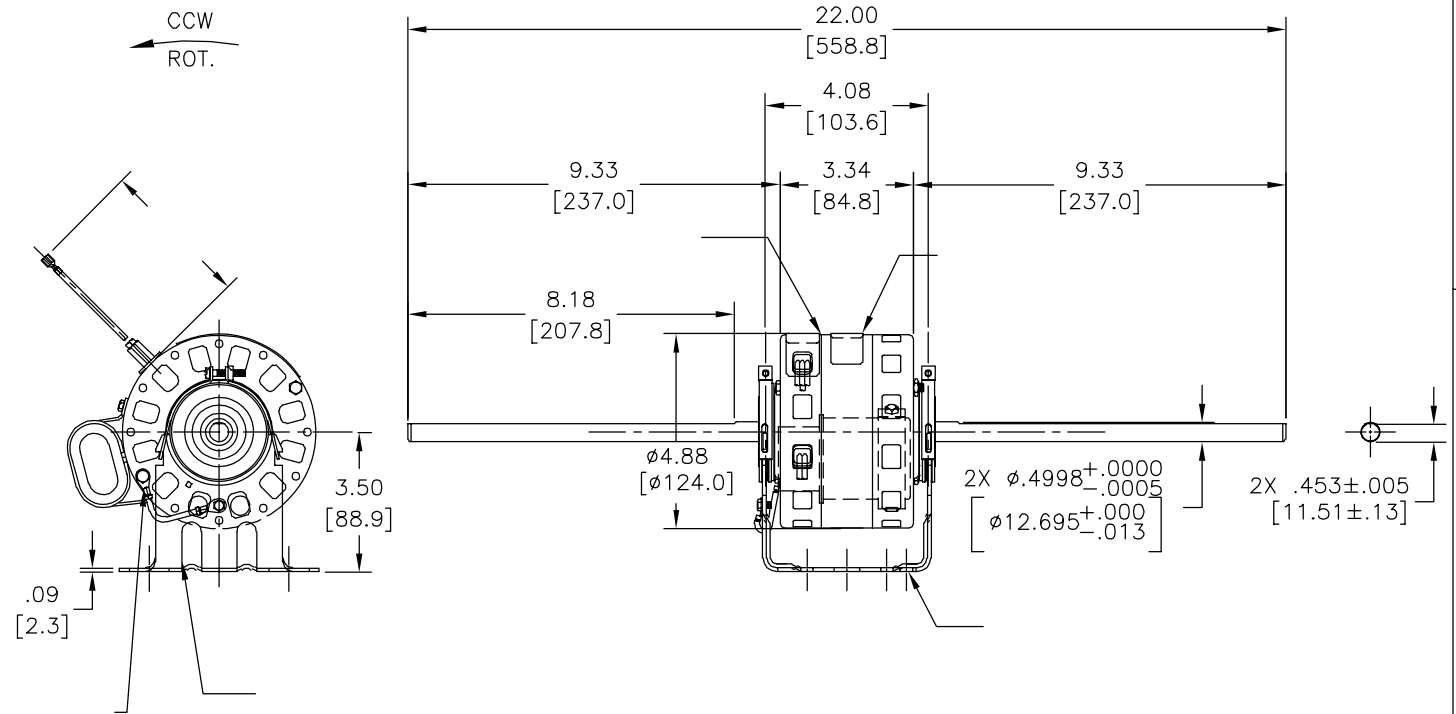
ESCALA: NONE HOJA: 1

4 3 2 1

4 3 2 1

总技术要求:
轴跳动:
端部窜动量
轴承:
安装位置:
电气数据:
过载保护:
引线:
接地线:

版本	ECO	编制	日期	批准	日期
E	0025542	O. CARVAJAL	04-25-2012	D. BALDERRAMA	04-25-2012



铭牌数据	外部数据线
MODEL NO.: F42F20A01 CUST. P/N: HP: 1/10, 1/12, 1/15 ROT.: CCWLE RPM: 1625 TYPE: FLL FRAME: 42Y VOLTS: 115 PH: 1 AMPS: 1.3, 1.0, 0.7 HZ: 60 INS.: A AMB.: 40° C DUTY: AIR OVER CAP.: 5 MFD/370V ENCL: - UL LOGO CSA LOGO THERMALLY PROTECTED	

颜色	长度	端子或剥线长度
		.25 [6.4]
		.25 [6.4]
	38.5/41.5 [978/1054]	.25 [6.4]
	38.5/41.5 [978/1054]	.25 [6.4]
	38.5/41.5 [978/1054]	.25 [6.4]
	38.5/41.5 [978/1054]	.25 [6.4]

无引线端机壳	
无引线端端盖	
有引线端机壳	
有引线端端盖	

性能曲线编号	转矩在 @ --- RPM (25° C)	批准样品	UL部件		CSA	
			文件号	指南	文件号	指南
C31729	6.0 OZ. FT.	98AC384A	E46412	PRGY2	LR43341	4211-01

形位公差
 □ 平面度
 — 直线度
 ∠ 倾斜度
 ⊥ 垂直度
 // 平行度
 ○ 圆度
 ⌀ 圆柱度
 面轮廓度
 线轮廓度
 圆跳动
 位置度
 ⊙ 同轴度
 ≡ 对称度

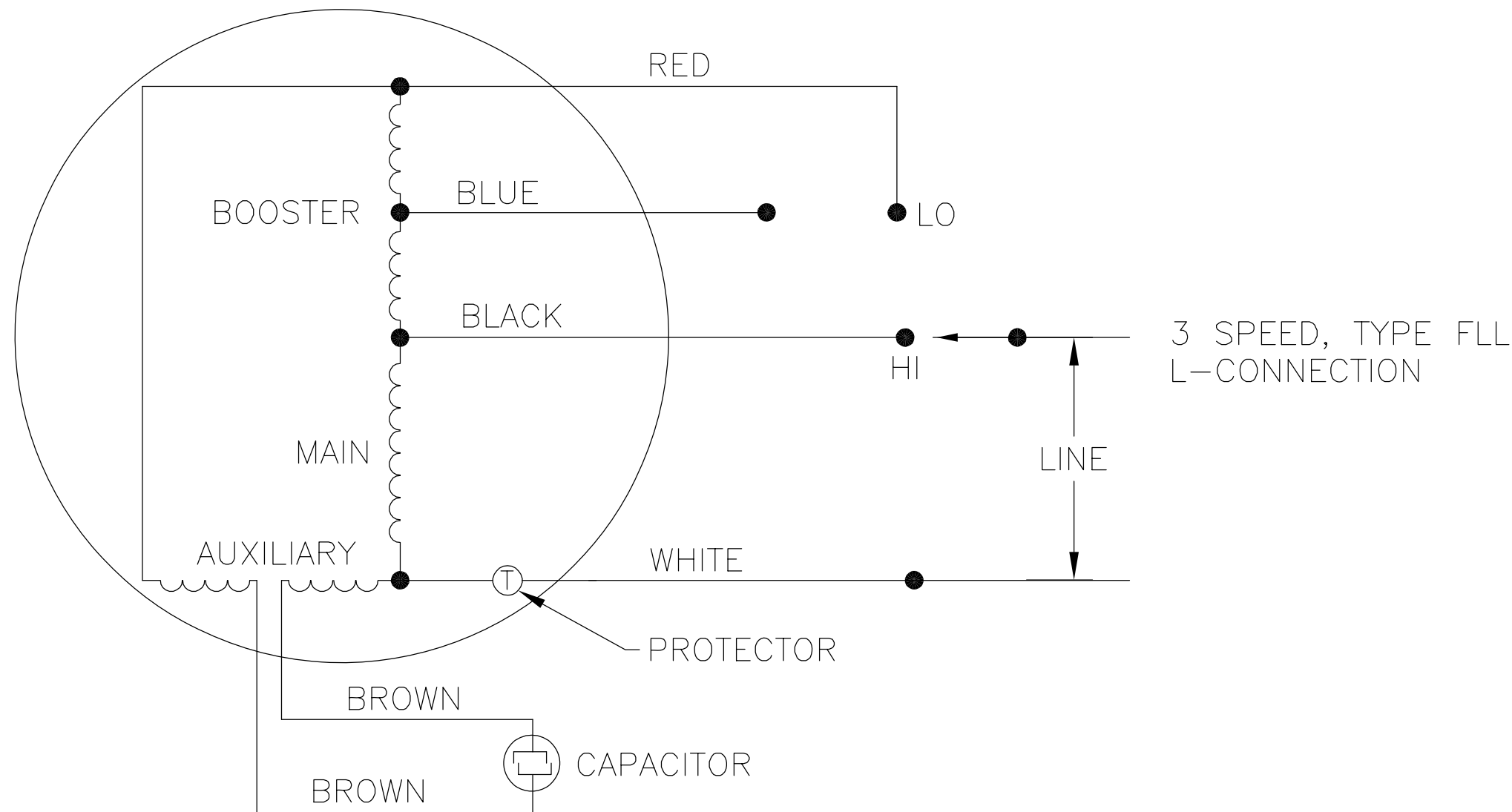
REGAL-BELOIT CORPORATION (RBC) 在个别领域为客户提供技术支持。鉴于RBC未收到任何涉及电机使用和应用环境的数据，电机的适用性由客户自己决定。
未注公差尺寸仅供参考。

绘图: CORDON 08-23-2004
 批准: PIATT 08-24-2004
 第三角投影
 机密: 本图纸及相关信息所有权归REGAL-BELOIT CORPORATION。未经REGAL-BELOIT CORPORATION书面授权，不得泄露、复制、传播或作其他用途。一版权所有

名称	OUTLINE
图幅	C
图号	11840-040
比例	NONE
页号	1

4 3 2 1

REV	ECO	REV BY	DATE	APPD	DATE
B	ECO-0018824	J.HESS	04-19-2011	J.HESS	04-19-2011



QUALITY CONTROL NOTE:
 1. TO CHECK THE WINDINGS FOR OPENS,
 VERIFY THE CONTINUITY BETWEEN THE
 TWO BROWN LEADS.

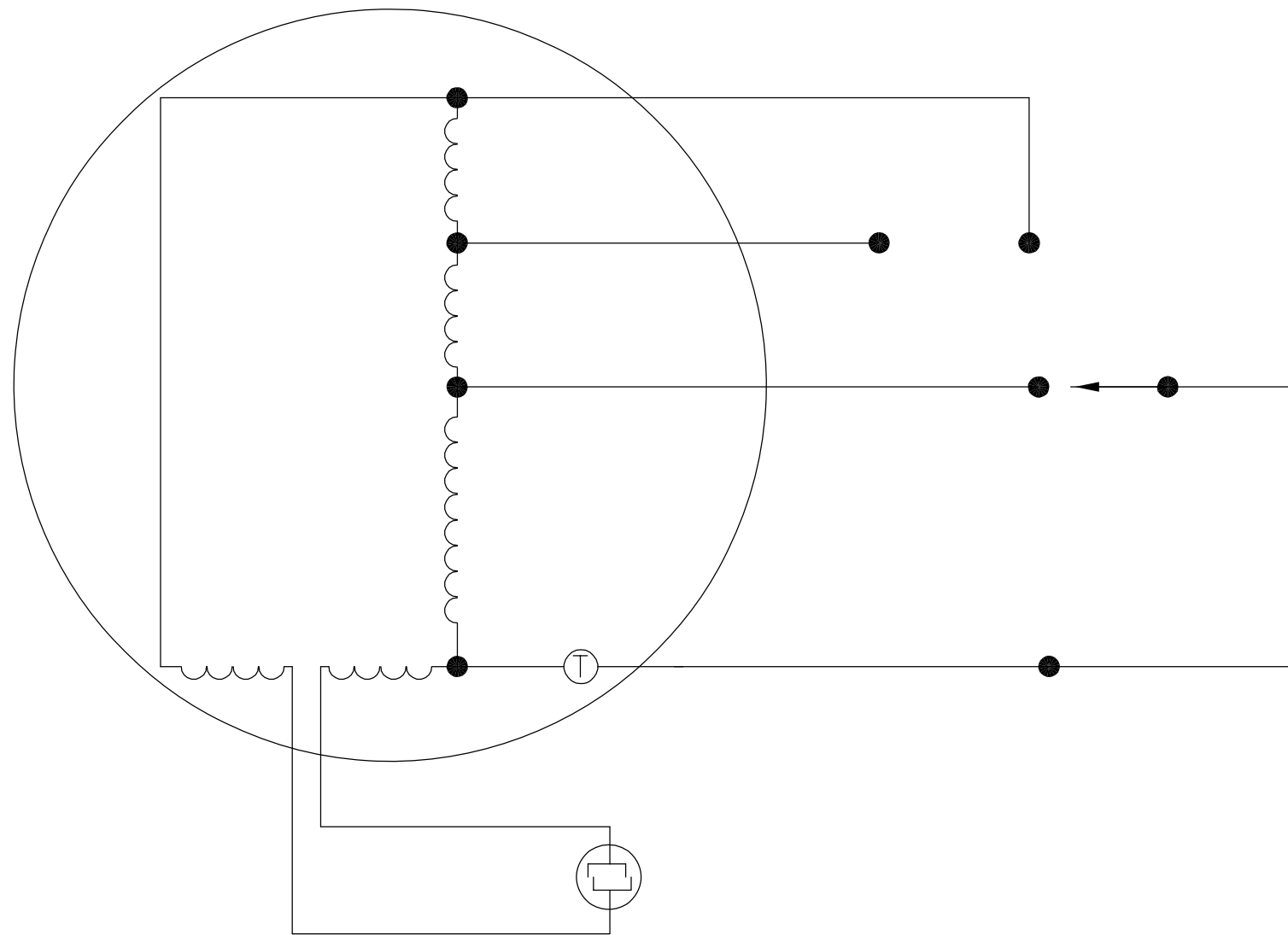
GEOMETRIC CHARACTERISTICS & SYMBOLS
 ▭ FLATNESS
 — STRAIGHTNESS
 ∠ ANGULARITY
 ⊥ PERPENDICULARITY (SQUARENESS)
 // PARALLELISM
 ○ ROUNDNESS (CIRCULARITY)
 ∅ CYLINDRICITY
 △ PROFILE OF ANY SURFACE
 ∩ PROFILE OF ANY LINE
 ↑ RUNOUT
 ⊕ TRUE POSITION
 ◎ CONCENTRICITY
 = SYMMETRY

UNLESS OTHERWISE SPECIFIED
 DIM. TOLERANCES ARE AS FOLLOWS:
 INCH X XX XXX XXXX
 ±.1 ±.02 ±.005 ±.0005
 mm ±0.5 ±0.13 ±0.013
 ANG. ±.50 DEG
 REMOVE BURRS & BREAK SHARP EDGES:
 INCH .003-.015 mm 0.1-0.4
 CORNER FILLETS TO:
 INCH .020 mm 0.5
 MACHINE SURFACES:
 INCH 125 mm 3.2
 METRIC DIMS. SHOWN IN [BRACKETS]

DR BY:	CORBIN	12-02-1971
APPD:		
THIRD ANGLE PROJECTION		EDS DATE 02-22-2008 FORMAT REV F
CONFIDENTIAL: THIS DRAWING AND ITS INFORMATION ARE THE EXCLUSIVE AND CONFIDENTIAL PROPERTY OF A.O. SMITH CORP. AND ARE NOT TO BE DISCLOSED, DUPLICATED, DISTRIBUTED OR OTHERWISE USED WITHOUT THE WRITTEN CONSENT OF A.O. SMITH CORP. -ALL RIGHTS RESERVED. ASME Y14.5M 1994		

		ELECTRICAL PRODUCTS COMPANY A DIVISION OF A. O. SMITH CORPORATION	
DESCRIPTION CONN DIAGRAM-EXTERNAL			
SIZE	A	DWG NO	2488A21
SCALE	NONE	SHEET	1

REVISION:	ECO	REVISADO POR:	FECHA:	APROBADO POR:	FECHA:
B	ECO-0018824	J.HESS	04-19-2011	J.HESS	04-19-2011



CARACTERISTICAS DE GEOMETRIA Y SIMBOLOS

- ▭ PLANICIDAD
- RECTITUD
- ∠ ANGULARIDAD
- ⊥ PERPENDICULARIDAD (A ESCUADRA)
- // PARALELISMO
- REDONDEZ (CIRCULARIDAD)
- ⊘ CILINDRICIDAD
- ⌒ PERFIL DE CUALQUIER SUPERFICIE
- ⌒ PERFIL DE CUALQUIER LINEA
- ↑ VARIACION
- ⊕ POSICION REAL
- ◎ CONCENTRICIDAD
- ≡ SIMETRIA

A MENOS QUE SE ESPECIFIQUE DE OTRA MANERA, LAS TOLERANCIAS DE LAS DIMS; SON LAS SIGUIENTES:

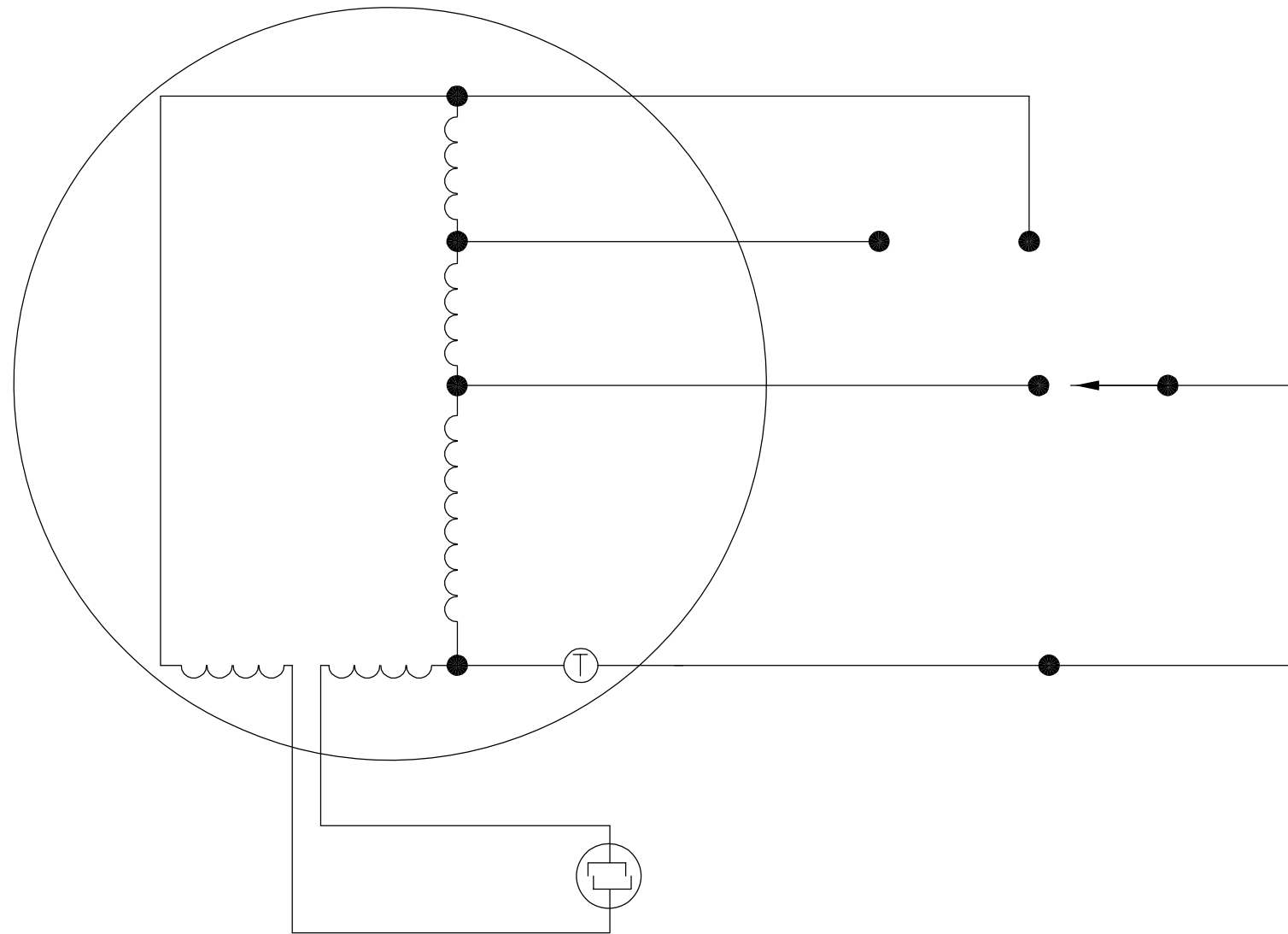
X	XX	XXX	XXXX
PULG ±.1	±.02	±.005	±.0005
mm ±0.5	±0.13	±0.013	

ANG. ±.50 GRADOS
 ELIMINAR REBABAS Y ORILLAS FILOSAS DEL BORDE.
 PULG .003-.015 mm 0.1-0.4
 FILETEAR ESQUINA: PULG .020 mm 0.5
 MAQUINAR SUPERFICIES
 PULG 125 mm 3.2
 DIMS METRICAS MOSTRADAS [PARENTESIS]

DIBUJADO POR: CORBIN	12-02-1971	
APROBADO POR:		
TERCER ANGULO DE PROYECCION	⊕	FECHA EDS: 02-22-2008 REV. FORMATO: F
CONFIDENCIAL: ESTE DIBUJO Y SU INFORMACION SON PROPIEDAD DE USO EXCLUSIVO Y CONFIDENCIAL DE A.O.SMITH CORP. Y NO DEBERAN SER REVELADOS, DUPLICADOS, DISTRIBUIDOS O USARSE DE OTRA MANERA SIN EL CONSENTIMIENTO ESCRITO DE A.O. SMITH CORP. -TODOS LOS DERECHOS RESERVADOS.ASME Y14.5M 1994		

<p>AC Smith innovation has a name.</p>	<p>ELECTRICAL PRODUCTS COMPANY A DIVISION OF A. O. SMITH CORPORATION</p>
DESCRIPCION: CONN DIAGRAM-EXTERNAL	
TAMAÑO: A	NUMERO DE DIBUJO: 2488A21
ESCALA:NONE	HOJA: 1

版本	ECO	编制	日期	批准	日期
B	ECO-0018824	J.HESS	04-19-2011	J.HESS	04-19-2011



- 形位公差
- 平面度
- 直线度
- ∠ 倾斜度
- ⊥ 垂直度
- // 平行度
- 圆度
- ⊘ 圆柱度
- △ 面轮廓度
- ⌒ 线轮廓度
- ↗ 圆跳动
- ⊕ 位置度
- ◎ 同轴度
- ≡ 对称度

除另有注明
尺寸公差如下:

	X	XX	XXX	XXXX
英寸	±.1	±.02	±.005	±.0005
毫米	±0.5	±0.13	±0.013	

角度 ±.50 度
清理毛刺和尖棱
英寸 .003-.015 毫米 0.1-0.4
内圆角
英寸 .020 毫米 0.5
表面粗糙度
英制 125 米制 3.2

米制尺寸显示在 []

绘图:	CORBIN	12-02-1971
批准:		
第三角投影		图纸格式发布日期 02-22-2008 图纸格式版本 F
机密: 本图纸及相关信息所有权归A. O. SMITH公司所有。 未经A. O. SMITH公司书面授权, 不得泄露、复制、传播或作 其他用途。—版权所有		
ASME Y14.5M 1994		

		ELECTRICAL PRODUCTS COMPANY <small>A DIVISION OF A. O. SMITH CORPORATION</small>	
名称 CONN DIAGRAM-EXTERNAL			
图幅	A	图号	2488A21
比例	NONE	页号	1