

PRODUCT INFORMATION PACKET



Model No: DBL4410
Catalog No: DBL4410

Fan Coil & Air Conditioner Motor, 1/10 HP, 1 Ph, 60 Hz, 115 V, 1550 RPM, 4 Speed, 42 Frame, OAO



Regal and Century are trademarks of Regal Rexnord Corporation or one of its affiliated companies.
©2023 Regal Rexnord Corporation, All Rights Reserved. MC017097E





Nameplate Specifications

Phase	1	Output HP	1/10 Hp
Output KW	0.07 kW	Voltage	115 V
Speed	1550 rpm	Service Factor	1
Frame	42Y	Enclosure	Open Air Over
Thermal Protection	Automatic	Ambient Temperature	40 °C
Frequency	60 Hz	Current	3.5 A
Duty	Air Over	Insulation Class	A
UL	Recognized	CSA	Y
CE	N	Number of Speeds	4

Technical Specifications

Electrical Type	Shaded Pole	Starting Method	Across The Line
Poles	4	Rotation	Counterclockwise Lead End
Mounting	Resilient Ring/Extended Studs	Motor Orientation	Horizontal
Drive End Bearing	Sleeve	Opp Drive End Bearing	Sleeve
Frame Material	Rolled Steel	Shaft Type	Flat
Overall Length	22.00 in	Shaft Diameter	0.500 in
Shaft Extension	9.3X.5X9.3 in		
Connection Drawing	619105	Outline Drawing	DBL4410-S01

This is an uncontrolled document once printed or downloaded and is subject to change without notice. Date Created:05/27/2023

GENERAL INFORMATION:

SHAFT RUNOUT: .001 [.03] T.I.R. PER INCH LENGTH OF EXTENSION

END PLAY: .010[.25] TO .063[1.60]

BEARINGS: SLEEVE

MOUNTING POSITION: HORIZONTAL

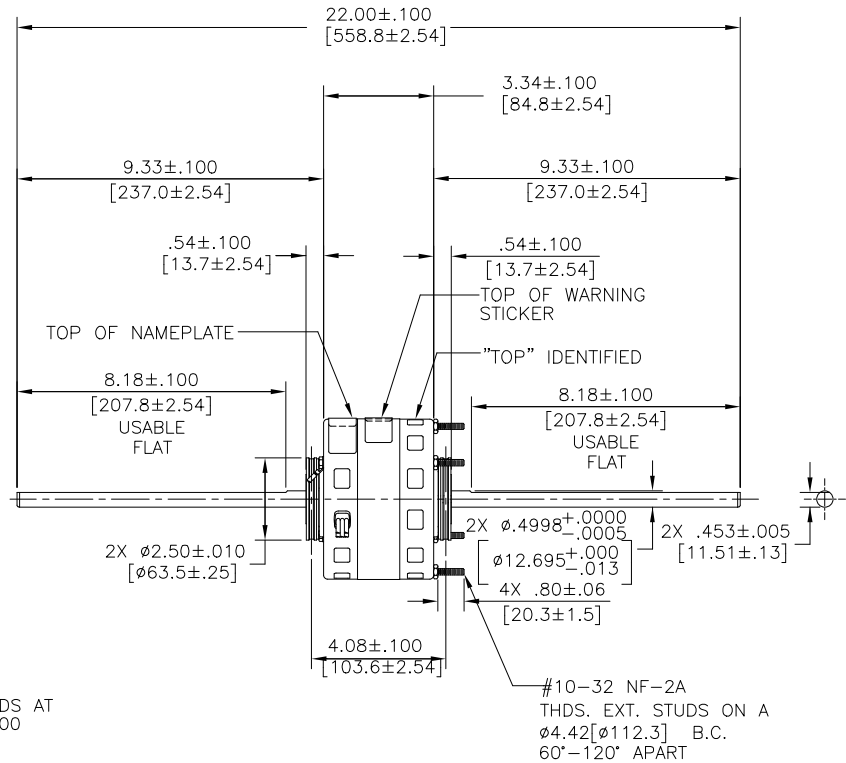
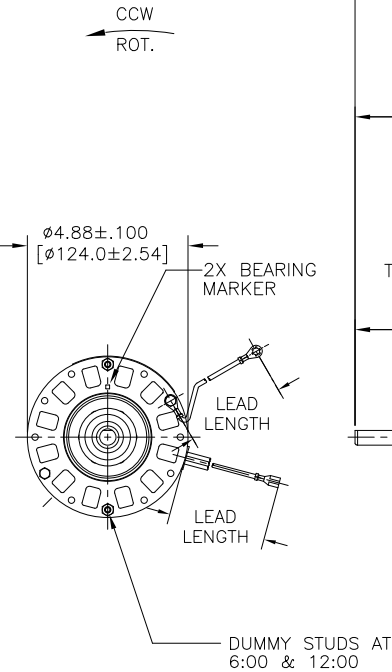
ELECTRICAL DATA:

OVERLOAD PROTECTOR: AUTOMATIC RESET (T.I. 7AM 034)

LEADS: NO. 18 GA., .03 [.8] THK., 125°C X-LINKED INSUL.

GROUND LEAD: NO. 18 GA., .03 [.8] THK. (GREEN) INSUL.

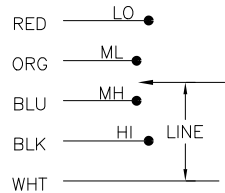
NOTE: DISTRIBUTION: CUST. P/N: DBL4410 GRAINGER: CUST. P/N: 4UU44



NAMEPLATE DATA:

EXTERNAL CONNECTION DIAGRAM

MODEL NO.: B42A95A01
CUST. P/N: []
HP: 1/10
ROT.: CCWLE
RPM: 1550/4 SPD
TYPE: FE
FRAME: 42Y
VOLTS: 115
PH: 1
AMPS: 3.5
HZ: 60
INS.: A
AMB.: 40°C
DUTY: AIR OVER
CAP.: -
UL & CSA LOGO
THERMALLY PROTECTED TYPE C



SEE NOTE

NOTES:
1. MOUNTING BASE, 2X MOUNTING CLAMP ASSEMBLIES & SCREW TO BE SHIPPED SEPARATELY IN EACH CARTON WITH MOTOR.

GREEN(GRD)	3.0/5.0 [76/127]	#8 EYELET
RED	38.5/41.5 [978/1054]	.25 [6.4] FEMALE SPADE
ORANGE	38.5/41.5 [978/1054]	.25 [6.4] FEMALE SPADE
BLUE	38.5/41.5 [978/1054]	.25 [6.4] FEMALE SPADE
BLACK	38.5/41.5 [978/1054]	.25 [6.4] FEMALE SPADE
WHITE	38.5/41.5 [978/1054]	.25 [6.4] FEMALE SPADE
COLOR	LENGTH	TERMINAL OR STRIP LENGTH

REGAL-BELOIT CORPORATION (RBC) PROVIDES TECHNICAL ASSISTANCE TO OUR CUSTOMERS IN SEVERAL AREAS. SINCE RBC DOES NOT RECEIVE ALL DATA CONCERNING THE USE AND APPLICATION OF THE MOTOR, THE SUITABILITY OF THE MOTOR FOR THE APPLICATION MUST BE DETERMINED BY THE CUSTOMER.	
DIMENSIONS WITHOUT TOLERANCES ARE FOR REFERENCE ONLY.	
MAIN FRAME - OLE	OPEN
END FRAME - OLE	OPEN
MAIN FRAME - LE	OPEN
END FRAME - LE	OPEN

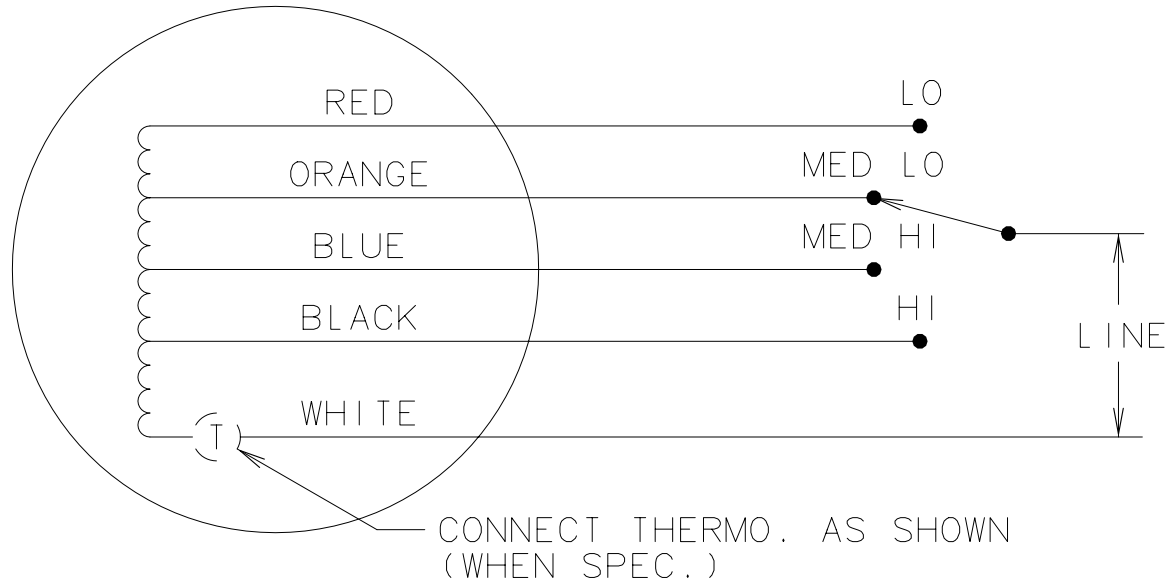
PERFORMANCE CURVE NO.	TORQUE @ 1075 RPM (25°C)	APPROVED SAMPLE	UL COMPONENT	CSA
C32330	6.6 OZ. FT.	0443464A	E27885 XRWE2	LR43341 4211-01


DRAWING REVISION: F	REVISION BY: J. RUPERT	DATE: 05-19-2023	TOLERANCES UNLESS OTHERWISE SPECIFIED: DEC: INCH (mm) ANGLE: .XX ±0.1 (±2.5) ±0.5° .XX ±0.02 (±0.51) .XXX ±0.005 (±0.127) .XXXX ±0.0005 (±0.0127)	DRAWN BY: S. RECKERS
ECO: ECR-0225873	APPROVED BY: J. RUPERT	DATE: 05-19-2023	REMOVE BURRS & BREAK SHARP EDGES .003/.015 (.076/.381) CORNER FILLETS .02 (.51) MACHINED SURFACES: INCH mm 1/2 1	DATE: 08-13-2004
CHANGED UL FILE NUMBER			REGAL-BELOIT CORPORATION (RBC) PROVIDES TECHNICAL ASSISTANCE TO OUR CUSTOMERS IN SEVERAL AREAS. SINCE RBC DOES NOT RECEIVE ALL DATA CONCERNING THE USE AND APPLICATION OF THE MOTOR, THE SUITABILITY OF THE MOTOR FOR THE APPLICATION MUST BE DETERMINED BY THE CUSTOMER.	
COPYRIGHT REGAL-BELOIT AMERICA, INC. ALL RIGHTS RESERVED. PROPRIETARY AND CONFIDENTIAL INFORMATION - THIS DOCUMENT IS THE PROPERTY OF REGAL-BELOIT AMERICA, INC. (OWNER) AND CONTAINS OWNER'S PROPRIETARY INFORMATION. ANY PERSON, CORPORATION OR OTHER FIRM RECEIVING IT IS DEEMED, BY RECEIVING IT, TO AGREE THAT IT, AND/OR ANY PART OF IT, SHALL NOT BE DISCLOSED TO ANY PERSON, CORPORATION OR OTHER FIRM WITHOUT THE WRITTEN CONSENT OF REGAL-BELOIT AMERICA, INC. AS EXPRESSLY APPROVED IN WRITING IN ADVANCE BY OWNER. THIS DOCUMENT SHALL BE RETURNED TO OWNER UPON REQUEST. IT MAY BE SUBJECT TO GOVERNMENT RESTRICTIONS UNDER APPLICABLE EXPORT CONTROL LAWS AND REGULATIONS.			REGAL-BELOIT America, Inc.	
ENCLOSURE			DESCRIPTION: MODEL-RFHP-42FR OUTLINE	
LEAD DATA			MATERIAL: G.PIATT	
ENCLOSURE			PROCESS/FINISH: DBL4410	
ENCLOSURE			SIZE DWG NO: C	
ENCLOSURE			SHEET 1	

CONFIDENTIAL: THIS DRAWING AND ITS INFORMATION ARE THE EXCLUSIVE AND CONFIDENTIAL PROPERTY OF A.O. SMITH CORP. AND ARE NOT TO BE DISCLOSED, DUPLICATED, DISTRIBUTED OR OTHERWISE USED WITHOUT THE WRITTEN CONSENT OF A.O. SMITH CORP. - ALL RIGHTS RESERVED

QUALITY CONTROL NOTE:

- TO CHECK THE WINDINGS FOR OPENS, VERIFY THE CONTINUITY BETWEEN THE WHITE AND RED LEADS.



	DATE	CHANGED FROM	NOTICE	MATERIAL	PROCESS	A.O. SMITH ELECTRICAL PRODUCTS COMPANY TIPP CITY, OHIO		A DIVISION OF A.O. SMITH CORPORATION  COPYRIGHT 1992	
				FIRST MODEL 326P147	SHEET 1 OF 1	DRAWN BY HEATH	NPN NO. 18985	DESCRIPTION DIAG. MLW FR42 TYPE FE	
				NO. OF MODELS	REFERENCE	SCALE NONE	APPROVED BY	REL. DATE 08/14/89	PART NO.
				LIMITS UNLESS OTHERWISE SPECIFIED: FRACTIONS ± NONE ANGLES ± NONE DECIMALS ± NONE			GROUP CODE FR42	FILE CODE CONEXT	619105

* CADAM DWG. -DO NOT ALTER

B# 10 (J) ✓