

PRODUCT INFORMATION PACKET



Model No: CB2054AD
Catalog No: CB2054AD
1/2 HP Carbonator Pump Motor, 1 phase, 1800 RPM, 115/230 V, 48 Frame, OPEN
Carbonator Pump Motors



Regal and Century are trademarks of Regal Rexnord Corporation or one of its affiliated companies.
©2021 Regal Rexnord Corporation, All Rights Reserved. MC017097E





Nameplate Specifications

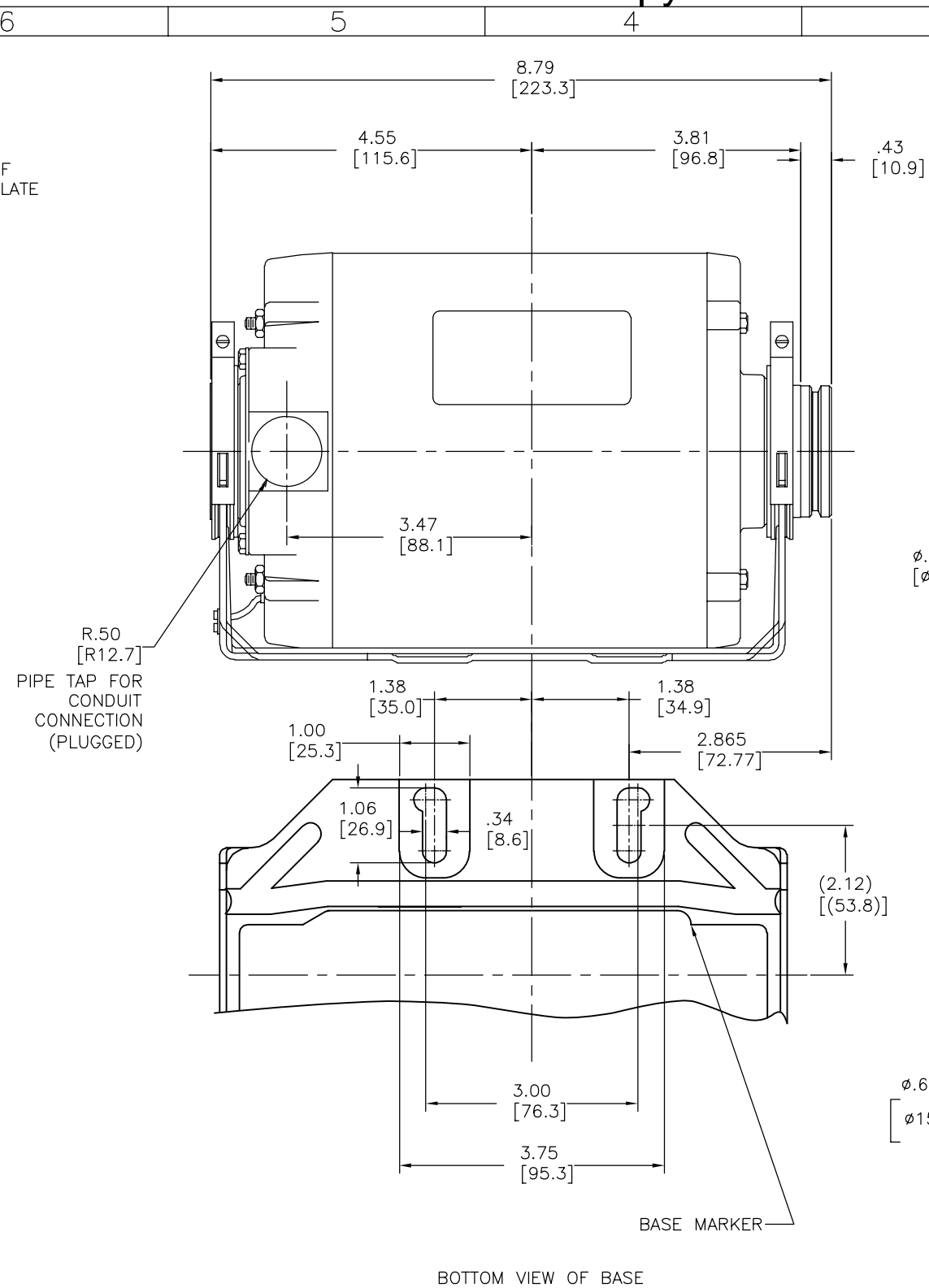
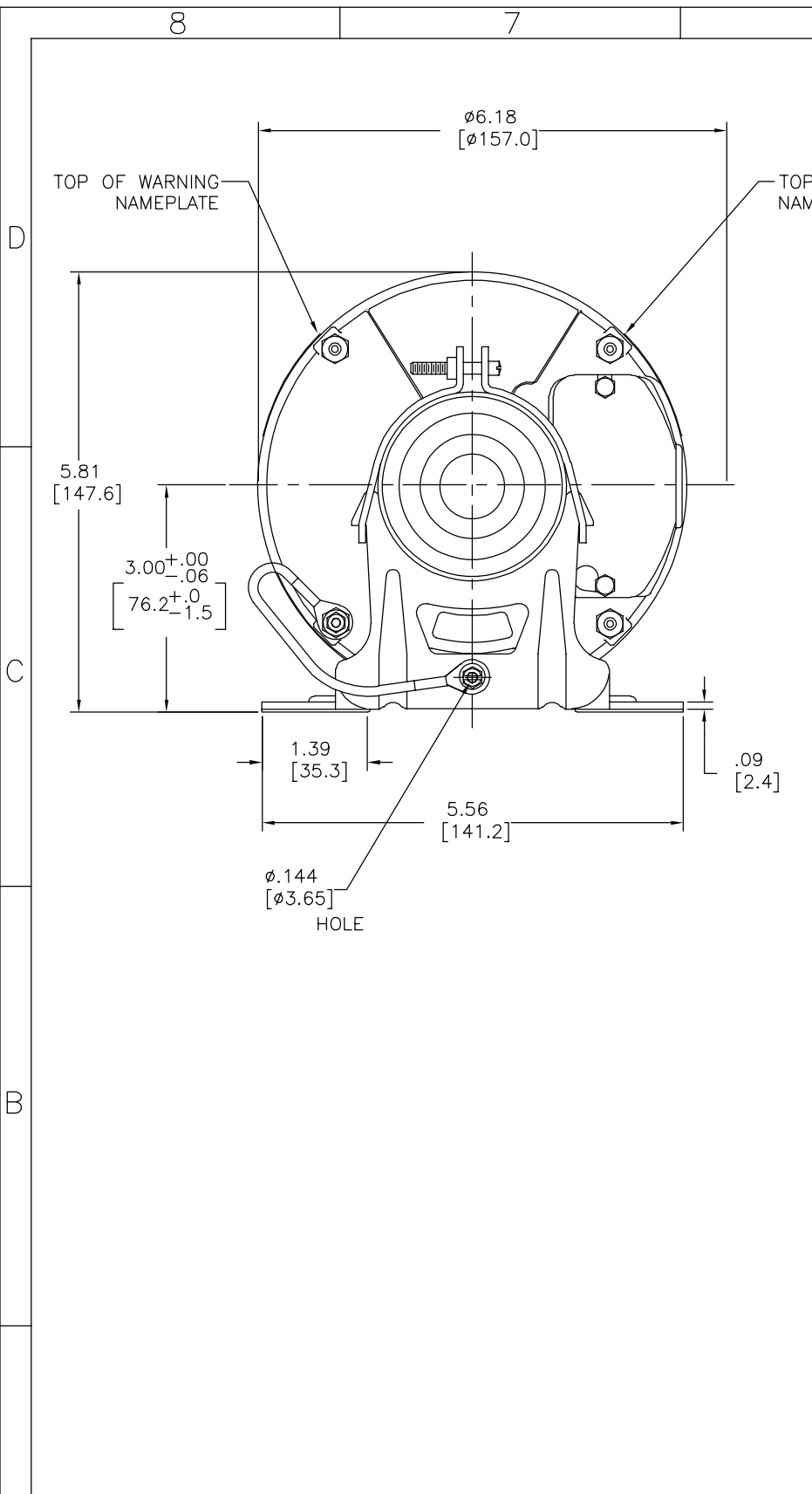
Output HP	1/2 Hp	Output KW	0.37 kW
Frequency	60 Hz	Voltage	115/230 V
Current	6.8/3.4 A	Speed	1725/1425 rpm
Service Factor	1	Phase	1
Duty	Continuous	Insulation Class	B
Frame	48	Enclosure	Open Enclosed
Thermal Protection	Automatic	Ambient Temperature	40 °C
UL	Recognized	CSA	Y
CE	N	Number of Speeds	1

Technical Specifications

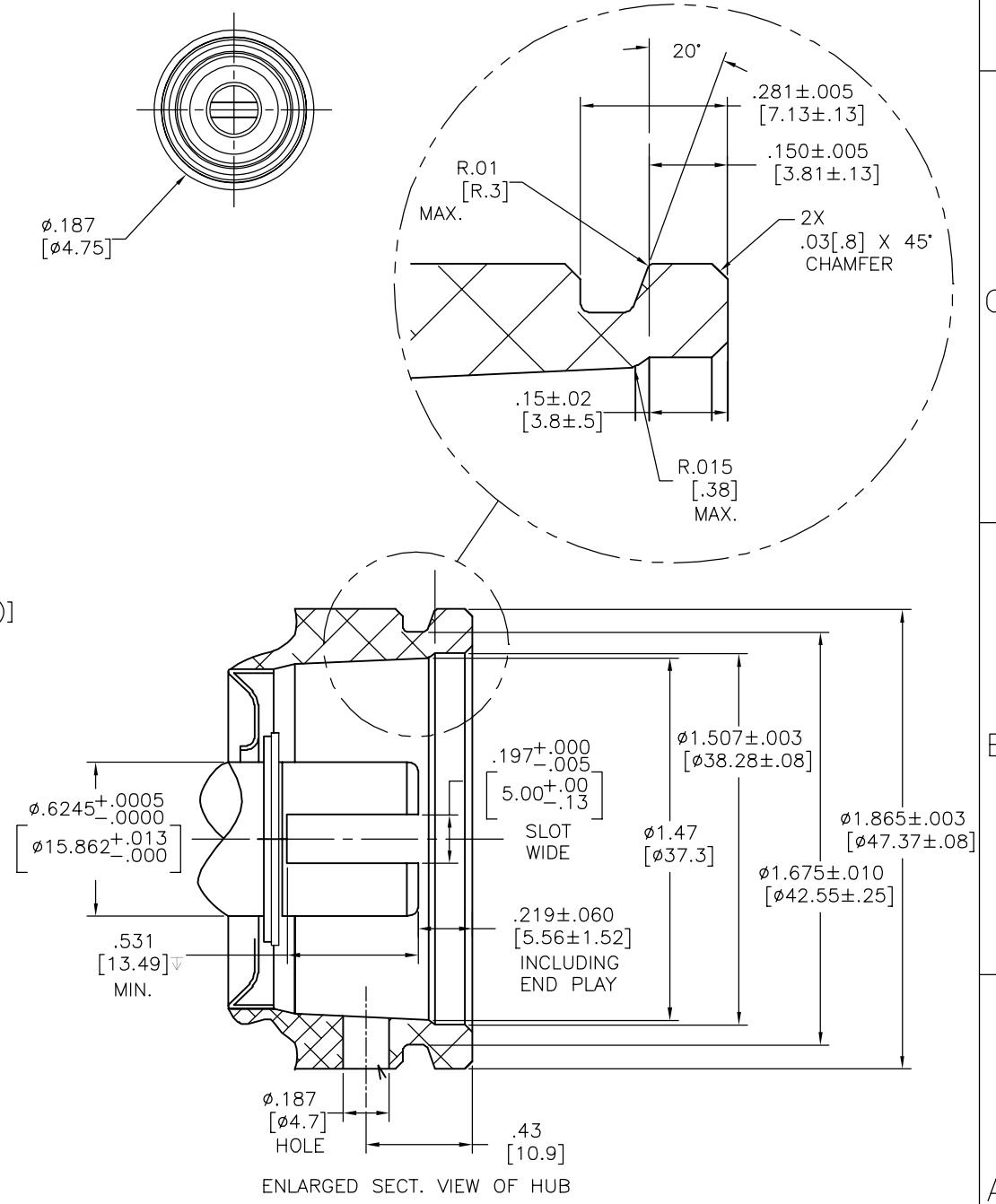
Electrical Type	Split Phase	Starting Method	Across The Line
Poles	4	Rotation	Reversible
Mounting	Resilient Base	Drive End Bearing	Sleeve
Opp Drive End Bearing	Sleeve	Frame Material	Rolled Steel
Shaft Type	Slot	Overall Length	8.79 in
Frame Length	5.44 in	Shaft Diameter	0.625 in
Shaft Extension	0.28 in		
Connection Drawing	621804-001A	Outline Drawing	11994-003

This is an uncontrolled document once printed or downloaded and is subject to change without notice. Date Created:10/07/2021

REV	ECO	REV BY	DATE	APPD	DATE
D	0025113	G. RODRIGUEZ	03-29-2012	DANIEL MUÑOZ	03-29-2012



SHAFT CONCENTRIC WITH $\phi 1.507$ [$\phi 38.28$] WITHIN .003 [.08] T.I.R. AND PERPENDICULAR WITH HUB FACE WITHIN .003 [.08] T.I.R.



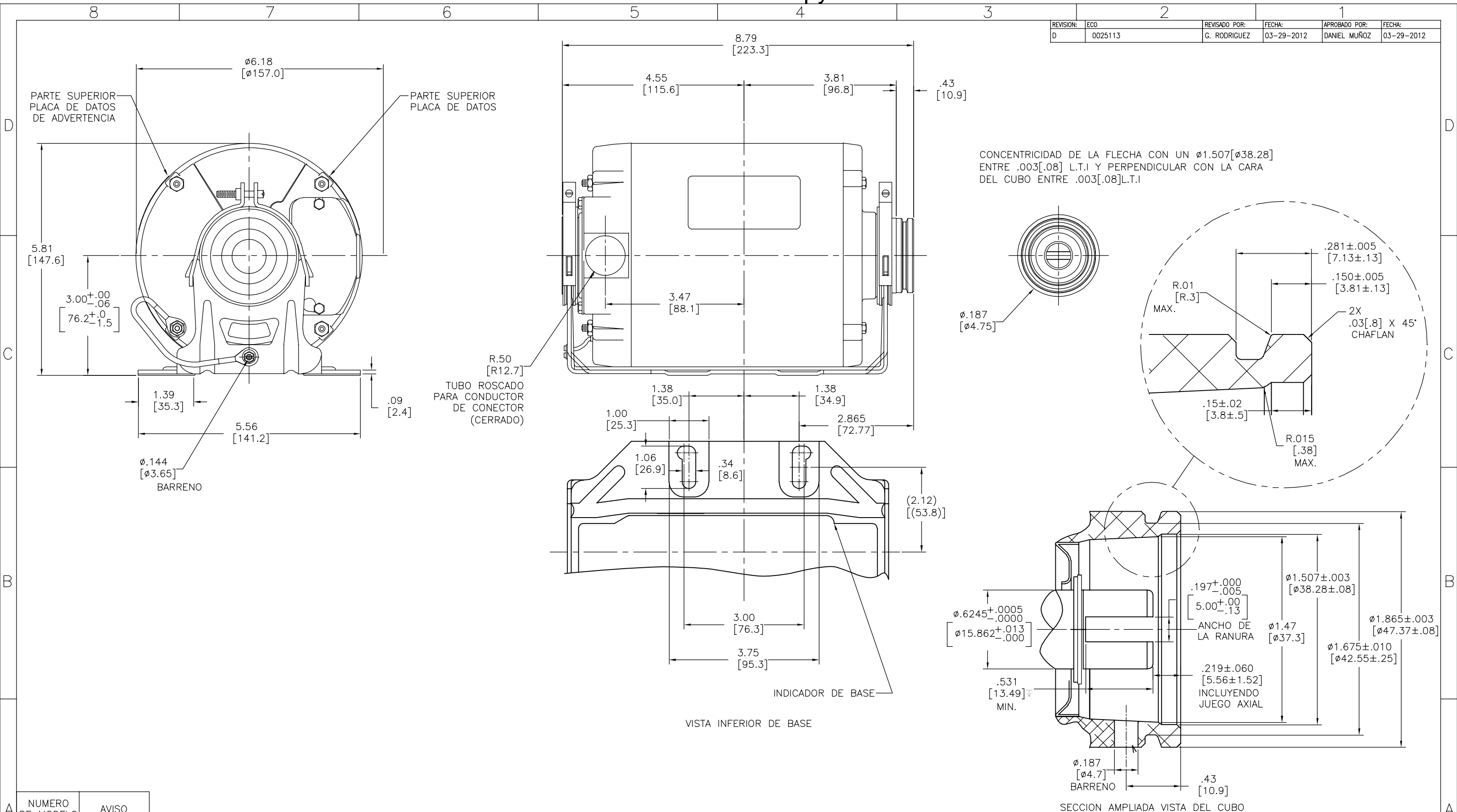
MODEL NO.	NOTICE
CB2054AD	96GR0196
S48A64A01	96GR0196
10845	96GR0196
S48A64C28	97PN0341

GEOMETRIC CHARACTERISTICS & SYMBOLS	UNLESS OTHERWISE SPECIFIED DIM. TOLERANCES ARE AS FOLLOWS:
— FLATNESS	INCH $\pm .1$ $\pm .02$ $\pm .005$ $\pm .0005$
— STRAIGHTNESS	mm ± 0.5 ± 0.13 ± 0.013
— ANGULARITY	ANG. $\pm .50$ DEG
— PERPENDICULARITY (SQUARENESS)	REMOVE BURRS & BREAK SHARP EDGES:
— PARALLELISM	INCH .003-.015 mm 0.1-0.4
— ROUNDNESS (CIRCULARITY)	CORNER FILLETS TO:
— CYLINDRICITY	INCH .020 mm 0.5
— PROFILE OF ANY SURFACE	MACHINE SURFACES:
— PROFILE OF ANY LINE	INCH 125 mm 3.2
— RUNOUT	
— TRUE POSITION	
— CONCENTRICITY	
— SYMMETRY	

DR BY:	SHANKS	09-12-1996
APPD:	JRC	09-12-1996
THIRD ANGLE PROJECTION		
EDS DATE	11-11-2011	
FORMAT	REV	G

REGAL-BELOIT CORPORATION	
DESCRIPTION	OUTLINE
SIZE	D
DWG NO	11994-003
SCALE	NONE
SHEET	1

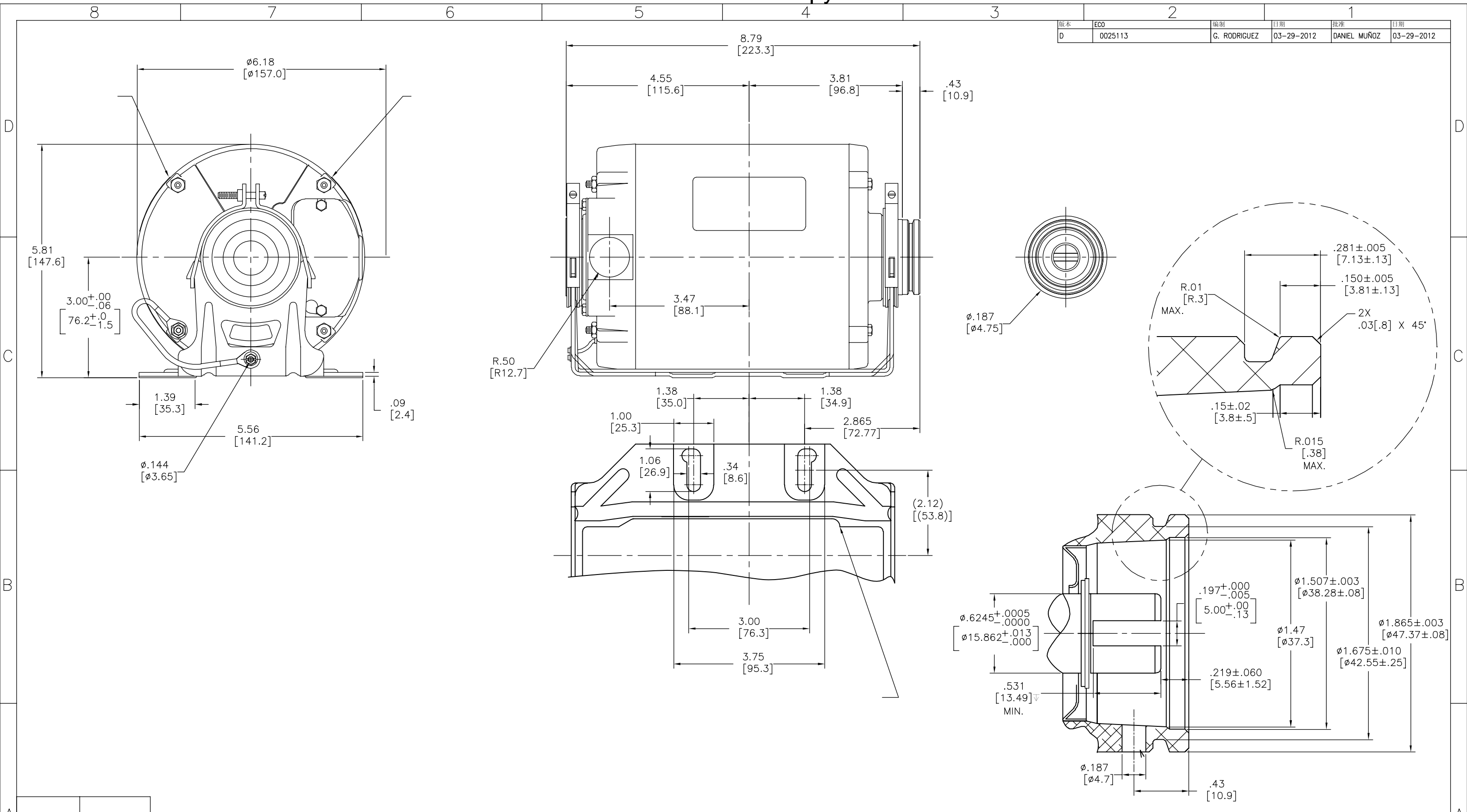
REVISION: ECO	REVISADO POR: G. RODRIGUEZ	FECHA: 03-29-2012	APROBADO POR: DANIEL MUÑOZ	FECHA: 03-29-2012
D	0025113			



NUMERO DE MODELO	AVISO
CB2054AD	96GR0196
S48A64A01	96GR0196
10845	96GR0196
S48A64C28	97PN0341

<p>CARACTERISTICAS DE GEOMETRIA Y SIMBOLOS:</p> <ul style="list-style-type: none"> — PLANICIDAD — RECTITUD — ANGULARIDAD — PERPENDICULARIDAD (A ESCUADRA) — PARALELISMO — REDONDEZ (CIRCULARIDAD) — CILINDRICIDAD — PERFIL DE CUALQUIER SUPERFICIE — PERFIL DE CUALQUIER LINEA — VARIACION — POSICION REAL — CONCENTRICIDAD — SIMETRIA 	<p>A MENOS QUE SE ESPECIFIQUE DE OTRA MANERA, LAS TOLERANCIAS DE LAS DIMS, SON LAS SIGUIENTES:</p> <p>PULG X XX XXX XXXX mm ±0.5 ±0.13 ±0.013</p> <p>ANG. ±50 GRADOS</p> <p>ELIMINAR REBABAS Y ORILLAS FILOSAS DEL BORDE.</p> <p>PULG .003-.015 mm 0.1-0.4</p> <p>FILETEAR ESQUINA: PULG .020 mm 0.5</p> <p>MAQUINAR SUPERFICIES</p> <p>PULG 125 mm 3.2</p> <p>DIMS METRICAS MOSTRADAS [PARENTESIS]</p>	<p>DIBUJADO POR: SHANKS</p> <p>APROBADO POR: JRC</p> <p>TERCER ANGULO DE PROYECCION</p> <p>CONFIDENCIAL: ESTE DIBUJO Y SU INFORMACION SON PROPIEDAD DE USO EXCLUSIVO Y CONFIDENCIAL DE REGAL-BELOIT CORPORATION, Y NO DEBERAN SER REVELADOS, DUPLICADOS, DISTRIBUIDOS O USARSE DE OTRA MANERA SIN EL CONSENTIMIENTO ESCRITO DE REGAL-BELOIT CORPORATION. -TODOS LOS DERECHOS RESERVADOS.</p>	<p>09-12-1996</p> <p>09-12-1996</p> <p>FECHA EDS: 11-11-2011</p> <p>REV. FORMATO: G</p>	<p>DESCRIPCION: OUTLINE</p> <p>TAMAÑO: D</p> <p>NUMERO DE DIBUJO: 11994-003</p> <p>ESCALA: NONE</p> <p>HOJA: 1</p>
---	--	--	---	--

版本	ECO	编制	日期	批准	日期
D	0025113	G. RODRIGUEZ	03-29-2012	DANIEL MUÑOZ	03-29-2012



CB2054AD	96GR0196
S48A64A01	96GR0196
10845	96GR0196
S48A64C28	97PN0341

形位公差 □ 平面度 ⊥ 垂直度 ∠ 倾斜度 // 平行度 ○ 圆度 ⊙ 圆柱度 Ⓜ 面轮廓度 Ⓡ 圆跳动 ⊕ 位置度 ⊙ 同轴度 ≡ 对称度	除另有注明 尺寸公差如下: 英寸 X XX XXX XXXX 毫米 ±.1 ±.02 ±.005 ±.0005 毫米 ±0.5 ±0.13 ±0.013 角度 ±.50 度 清理毛刺和尖棱 英寸 .003-.015 毫米 0.1-0.4 内圆角 英寸 .020 毫米 0.5 表面粗糙度 英制 125 米制 3.2	绘图: SHANKS 批准: JRC 第三角投影	09-12-1996 09-12-1996 图底格式发布日期 11-11-2011 图底格式版本 G	名称 OUTLINE 图幅 D 图号 11994-003 比例 NONE 页号 1
	ASME Y14.5M 1994 米制尺寸显示在 []	机密: 本图纸及相关信息所有权归REGAL-BELOIT CORPORATION 未经REGAL-BELOIT CORPORATION书面授权, 不得泄露、 复制、传播或作其他用途。一版权所有	名称 OUTLINE 图幅 D 图号 11994-003 比例 NONE 页号 1	