

Carbonator Pump Motors

Features:

- Auto Protector
- Split Phase
- 48 Frame
- Class B Insulation
- Mount 48Y
- Service Factor 1.0
- 60 Hz
- Sleeve Bearings
- 1725 RPM
- Special Shaft

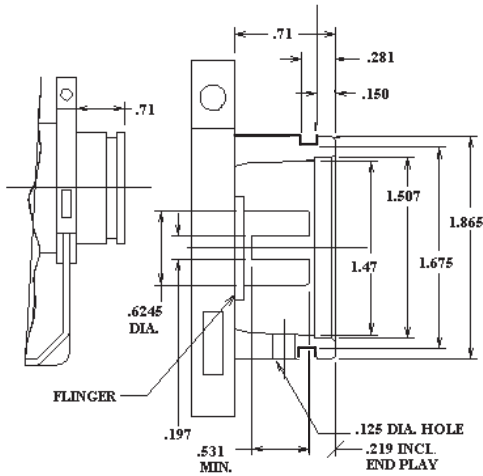


HP	RPM	Volts	Full Load Amps	Frame	Stock Number	Rotation	"C" Dim.	Notes
1/4	1725	115	4.4	48Y	CB2024AV1	REV	8.1	179,319
		115/230	4.0/2.0	48Y	CB2024AD	CCWLE	8.1	6,319
1/3	1725	115	6.2	48Y	CB2034A	CCWLE	8.6	319
		115/230	4.6/2.3	48Y	CB2034AD	REV	8.6	6,319
1/2	1725	115/230	6.8/3.4	48Y	CB2054AD	REV	8.8	6,319

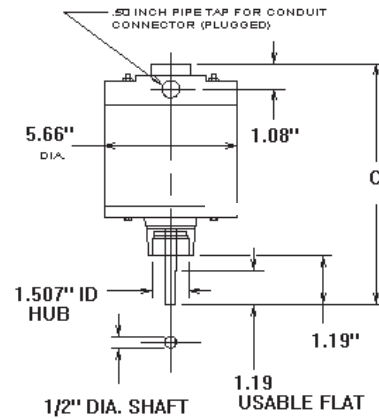
Note:

- 6. 50/60 HZ
- 179. Low Amps
- 319. "C" Dimension is the total length including shaft

CARBONATOR PUMP MOTOR HUB DIMENSIONS



SUMP PUMP MOTOR DIMENSIONS



Sump Pump Motors

Features:

- Auto Protector
- Sleeve Bearings
- 48 Frame
- Class B Insulation
- 1725 RPM
- 1.507" I.D. Hub
- Split Phase
- 1.0 Service Factor
- 60 HZ



HP	RPM	Volts	Full Load Amps	Frame	Stock Number	Rotation	Approx. "C"	Notes
1/3	1725	115	6.0	48Y	SP2030A	CWLE	9.3	319
1/3	1725	115	6.0	48Y	SP2034A	CWLE	9.3	195,319
1/2	1725	115	7.3	48Y	SP2050A	REV	9.8	319

Notes:

- 195. Includes 6' cord and switch
- 319. "C" Dimension is the total length including shaft