

Product Overview



Print



[Click to Enlarge](#)

Product Type :	AC Motors
Product Family:	6-1/2" Diameter (56 Frame)
Stock Number:	C666
Reference:	Catalog Page: 142
Description:	MODEL-CFHP-56FR
Features:	Product feature information temporarily unavailable
Applications:	Product application information temporarily unavailable
List Price:	\$461

The image shown is representative only and the actual product may differ from the image shown

TECHNICAL SPECIFICATIONS NOTES DRAWINGS

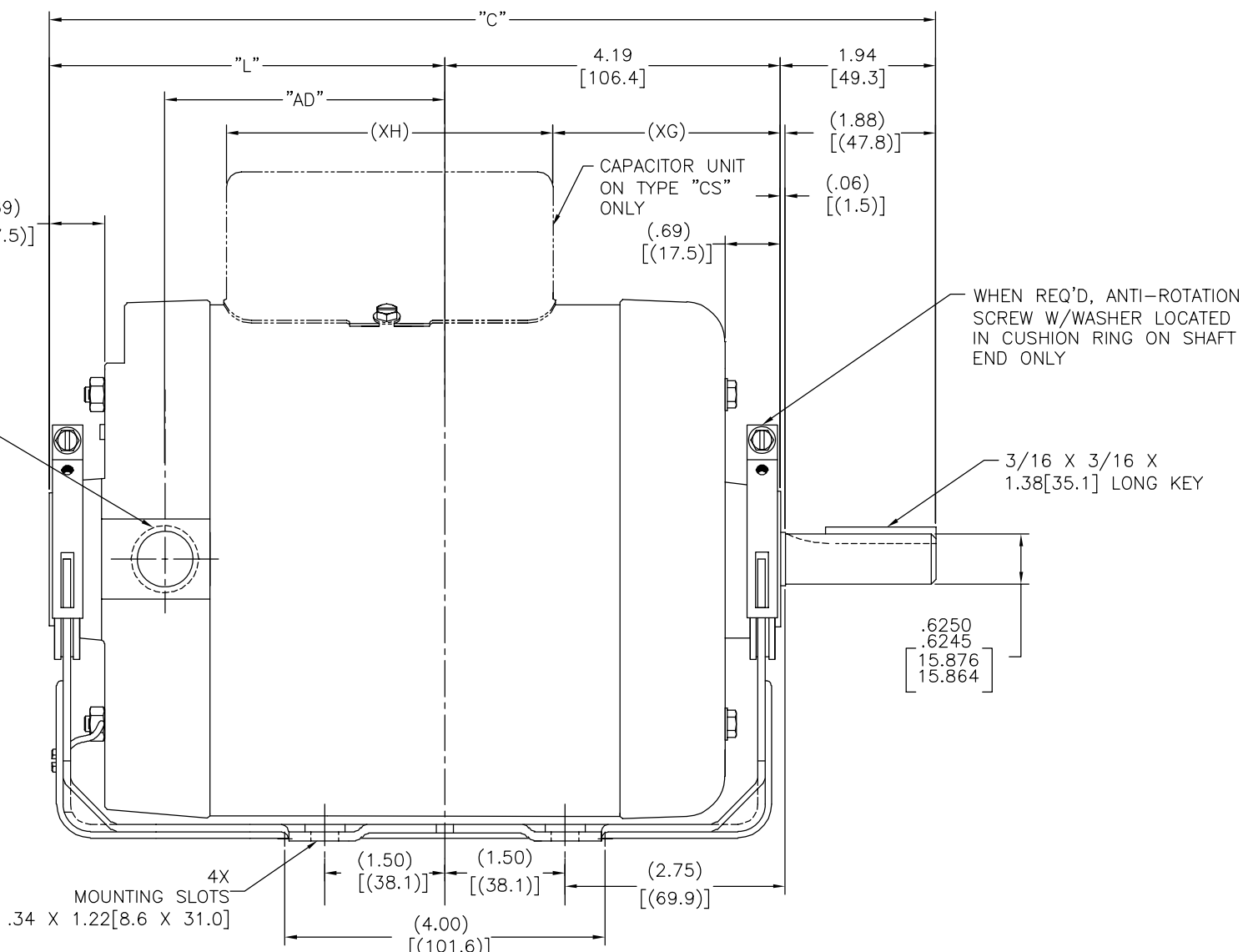
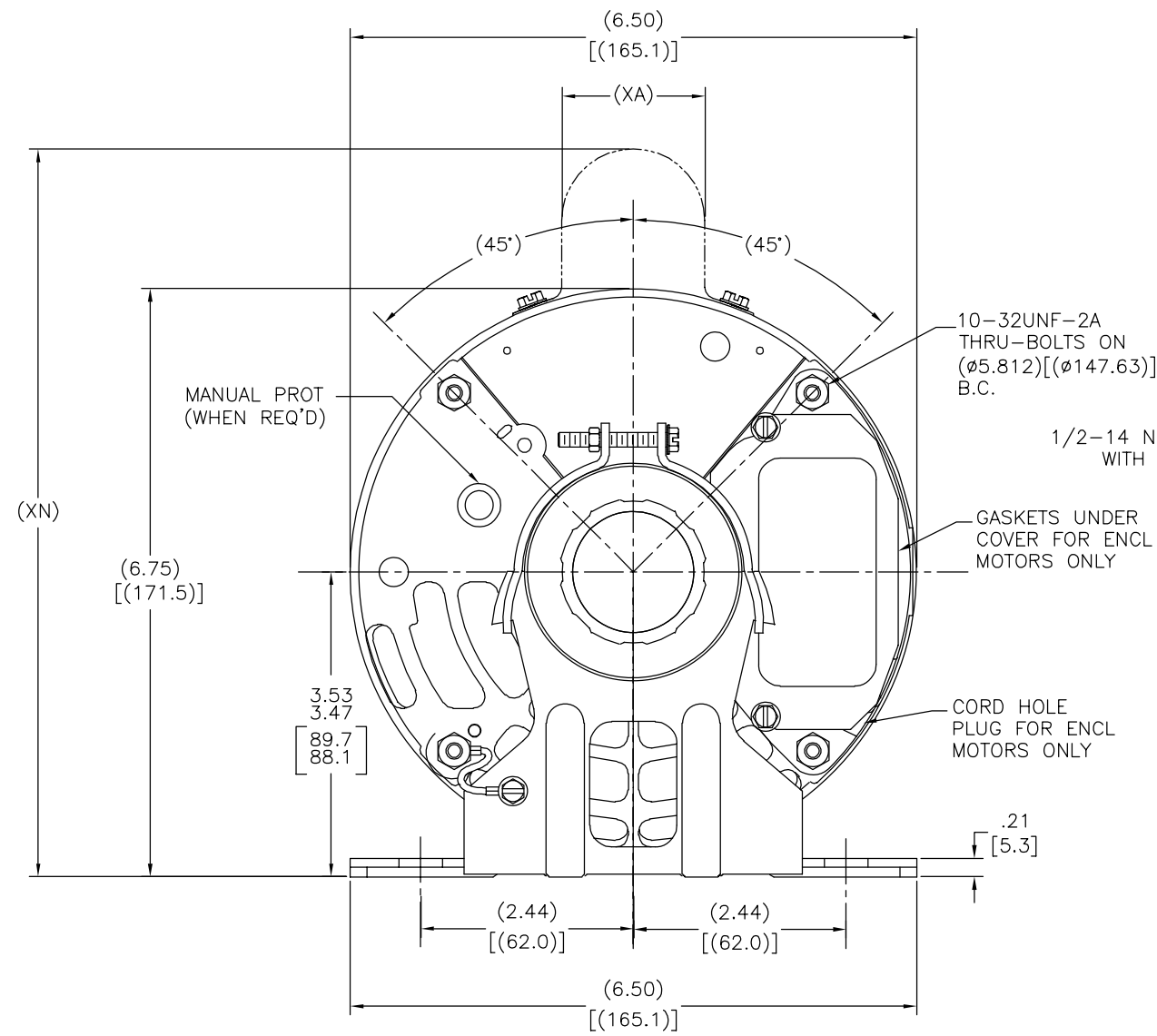
Horse Power:	3/4
Amperes:	5.4-5.5/11.0
Frequency:	60
RPM:	1725
Voltage:	208-230/115
Motor Type:	CS
Frame Size:	J56
Service Factor:	1.25
Phase:	1
Enclosure:	ODP
Bearings:	BALL BRG
Ambient Temperature:	40
Insulation Class:	B
Rotation:	RCW
Agency Approvals:	ULCSA
Duty Cycle:	CONT

TYPE	FRAME	MOTOR			CAPACITOR BOX			
		"C"	"L"	"AD"	(XA)	(XG)	(XH)	(XN)
CS SP SC	B56	9.82 [249.4]	3.69 [93.7]	2.25 [57.2]	1.64 [41.7]	1.59 [40.4]	4.08 [103.6]	8.37 [212.6]
CS SP SC	H56	10.07 [255.8]	3.94 [100.1]	2.50 [63.5]	1.64 [41.7]	1.84 [46.7]	4.08 [103.6]	8.37 [212.6]
CS SP SC	J56	11.07 [281.2]	4.94 [125.5]	3.50 [88.9]	1.64 [41.7]	2.84 [72.1]	4.08 [103.6]	8.37 [212.6]
CS SP SC	K56	11.44 [290.6]	5.31 [134.9]	3.88 [98.6]	1.64 [41.7]	3.21 [81.5]	4.08 [103.6]	8.37 [212.6]
CS SP SC	L56	12.19 [309.6]	6.06 [153.9]	4.63 [117.6]	1.64 [41.7]	3.96 [100.6]	4.08 [103.6]	8.37 [212.6]
CS SP SC	M56	12.69 [322.3]	6.56 [166.6]	5.13 [130.3]	2.02 [51.3]	4.46 [113.3]	4.08 [103.6]	8.75 [222.3]
CS SC	N56	13.19 [335.0]	7.06 [179.3]	5.63 [143.0]	2.02 [51.3]	3.96 [100.6]	5.08 [129.0]	8.75 [222.3]

REV	ECO	REV BY	DATE	APPD	DATE
P	ECO-0011788	VMS	14-01-2010	H.SANCHEZ	14-01-2010

ALL DIMENSIONS SHOWN IN PARENTHESIS ARE REFERENCE DIMENSIONS. ALL OTHER DIMENSIONS ARE TOLERANCED PER THE FOLLOWING CHART UNLESS OTHERWISE SPECIFIED.

"C" DIM. = +/- .055[1.40]
 SHAFT EXT. = +/- .034[.86]
 LEAD LENGTHS = +/- 1.00[25.4]
 EXTENDED THRU-BOLTS = +/- .050[1.27]
 ANGULAR DIMS. = +/- 2'



GEOMETRIC CHARACTERISTICS & SYMBOLS □ FLATNESS — STRAIGHTNESS ∠ ANGULARITY ⊥ PERPENDICULARITY (SQUARENESS) // PARALLELISM ○ ROUNDNESS (CIRCULARITY) ⌀ CYLINDRICITY ≡ PROFILE OF ANY SURFACE ⤴ PROFILE OF ANY LINE ↗ RUNOUT ⊕ TRUE POSITION ⊙ CONCENTRICITY = SYMMETRY	UNLESS OTHERWISE SPECIFIED DIM. TOLERANCES ARE AS FOLLOWS: INCH $\pm \frac{1}{4}$ $\pm .02$ $\pm .005$ $\pm .0005$ mm ± 0.5 ± 0.13 ± 0.013 ANG. $\pm .50$ DEG REMOVE BURRS & BREAK SHARP EDGES: INCH .003-.015 mm 0.1-0.4 CORNER FILLETS TO: INCH .020 mm 0.5 MACHINE SURFACES: INCH 125 mm 3.2 METRIC DIMS. SHOWN IN [BRACKETS]	DR BY:	EDS DATE 02-22-2008 FORMAT REV F	DESCRIPTION OUTLINE	
		APPD:			THIRD ANGLE PROJECTION CONFIDENTIAL: THIS DRAWING AND ITS INFORMATION ARE THE EXCLUSIVE AND CONFIDENTIAL PROPERTY OF A.O. SMITH CORP. AND ARE NOT TO BE DISCLOSED, DUPLICATED, DISTRIBUTED OR OTHERWISE USED WITHOUT THE WRITTEN CONSENT OF A.O. SMITH CORP. -ALL RIGHTS RESERVED. ASME Y14.5M 1994
		SIZE D	DWG NO 114015	SCALE NONE	SHEET 1