

## Product Overview



Print



[Click to Enlarge](#)

<b>Product Type :</b>	AC Motors
<b>Product Family:</b>	6-1/2" Diameter (56 Frame)
<b>Stock Number:</b>	C580
<b>Reference:</b>	<a href="#">Catalog Page: 185</a>
<b>Description:</b>	MODEL-CFHP-56FR
<b>Features:</b>	Product feature information temporarily unavailable
<b>Applications:</b>	Product application information temporarily unavailable
<b>List Price:</b>	\$403

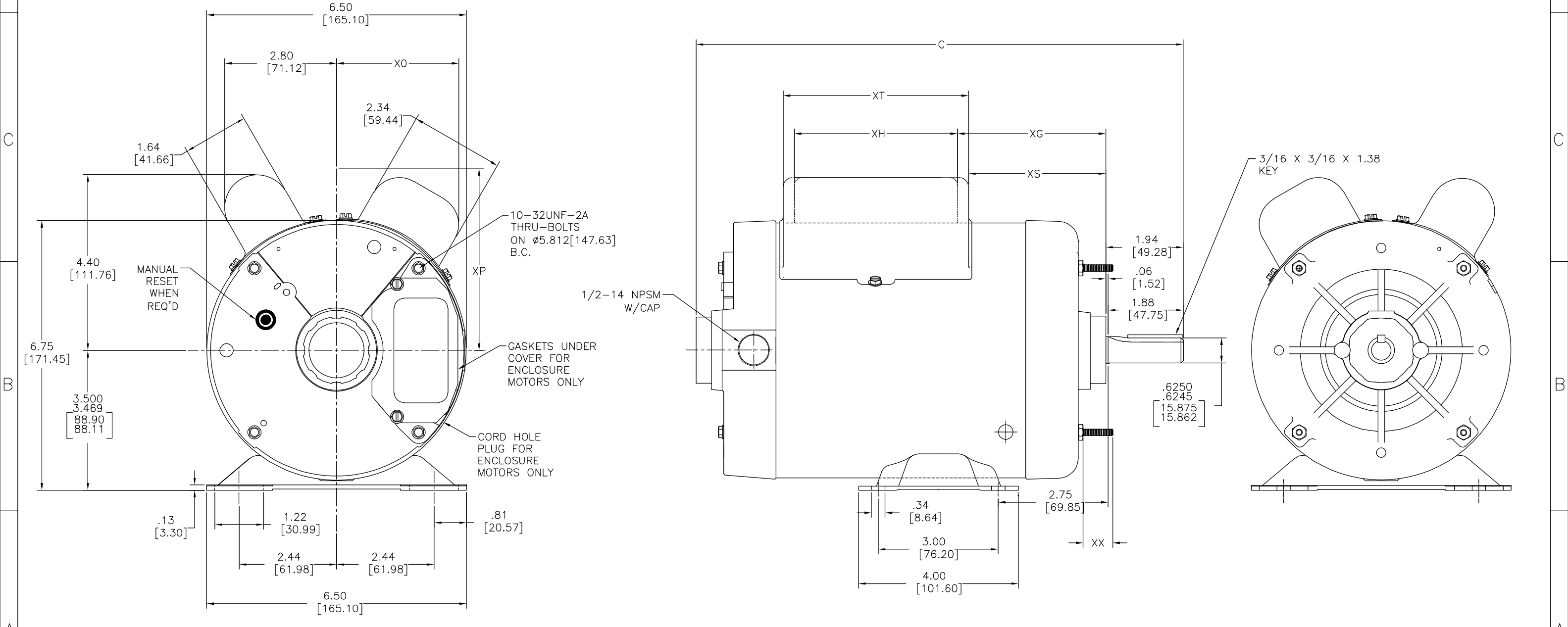
The image shown is representative only and the actual product may differ from the image shown

### TECHNICAL SPECIFICATIONS    NOTES    DRAWINGS

<b>Horse Power:</b>	1/2
<b>Amperes:</b>	3.2/6.4
<b>Frequency:</b>	60
<b>RPM:</b>	1725
<b>Voltage:</b>	230/115
<b>Motor Type:</b>	CPX
<b>Frame Size:</b>	K56
<b>Service Factor:</b>	1.00
<b>Phase:</b>	1
<b>Enclosure:</b>	TEAO
<b>Bearings:</b>	BALL BRG
<b>Ambient Temperature:</b>	40
<b>Insulation Class:</b>	B
<b>Rotation:</b>	RCC
<b>Protector:</b>	THERMALLY PROTECTED
<b>Agency Approvals:</b>	ULCSA
<b>Duty Cycle:</b>	CONT

GRP.	TYPE	FRAME	C	BS	XX	XH	XG	XS	XT	XO	XP
161254-01	CPX	K56	11.44[290.6]	5.38[136.7]	.75[19.1]	4.64[117.9]	2.93[74.4]	3.21[81.5]	4.08[103.6]	3.30[83.8]	4.38[111.3]
161254-02	CPX	G56	11.94[303.3]	5.88[149.4]	.75[19.1]	5.28[134.1]	2.04[51.8]	3.21[81.5]	4.08[103.6]	3.30[83.8]	4.38[111.3]
161254-03	CPX	T56	12.44[316.0]	6.38[162.1]	.75[19.1]	4.64[117.9]	3.68[93.5]	3.21[81.5]	4.08[103.6]	3.30[83.8]	4.38[111.2]
161254-04	CPX	K56	11.44[290.6]	5.38[136.7]	.75[19.1]	4.64[117.9]	3.57[90.7]	2.96[75.2]	4.08[103.6]	3.18[80.8]	4.23[107.4]
161254-05	CPX	T56	12.44[316.0]	6.38[162.1]	---	4.64[117.9]	3.68[93.5]	3.21[81.5]	4.08[103.6]	3.30[83.8]	4.38[111.2]

REV	ECO	REV BY	DATE	APPD	DATE
J	0025671	I. ORTIZ	05-03-2012	D. BALDERRAMA	05-03-2012



<b>GEOMETRIC CHARACTERISTICS &amp; SYMBOLS</b> □ FLATNESS — STRAIGHTNESS ∠ ANGULARITY ⊥ PERPENDICULARITY (SQUARENESS) // PARALLELISM R ROUNDNESS (CIRCULARITY) ⌀ CYLINDRICITY ≡ PROFILE OF ANY SURFACE ∩ PROFILE OF ANY LINE ↗ RUNOUT ⊕ TRUE POSITION ⊙ CONCENTRICITY = SYMMETRY	UNLESS OTHERWISE SPECIFIED DIM. TOLERANCES ARE AS FOLLOWS: INCH ± .1 ± .02 ± .005 ± .0005 mm ± 0.5 ± 0.13 ± 0.013 ANG. ± .50 DEG REMOVE BURRS & BREAK SHARP EDGES: INCH .003-.015 CORNER FILLETS TO: INCH .020 mm 0.5 MACHINE SURFACES: INCH 125 mm 3.2 METRIC DIMS. SHOWN IN [BRACKETS]	DR BY: MH	02-26-1981	REGAL-BELOIT CORPORATION MODEL-CFHP-56FR OUTLINE
		APPD:	EDS DATE 02-22-2008 FORMAT REV G	
THIRD ANGLE PROJECTION		CONFIDENTIAL: THIS DRAWING AND ITS INFORMATION ARE THE EXCLUSIVE AND CONFIDENTIAL PROPERTY OF REGAL-BELOIT CORPORATION AND ARE NOT TO BE DISCLOSED, DUPLICATED, DISTRIBUTED OR OTHERWISE USED WITHOUT THE WRITTEN CONSENT OF REGAL-BELOIT CORPORATION. -ALL RIGHTS RESERVED.		SIZE D SCALE NONE SHEET 1