

PRODUCT INFORMATION PACKET



Model No: C426V2
Catalog No: C426V2

Fan and Blower Motor, 0.75 HP, 1 Ph, 60 Hz, 115/230 V, 1800 RPM, 56 Frame, DP

Operational at 115/208-230 V @60HZ



Regal and Century are trademarks of Regal Rexnord Corporation or one of its affiliated companies.
©2023 Regal Rexnord Corporation, All Rights Reserved. MC017097E





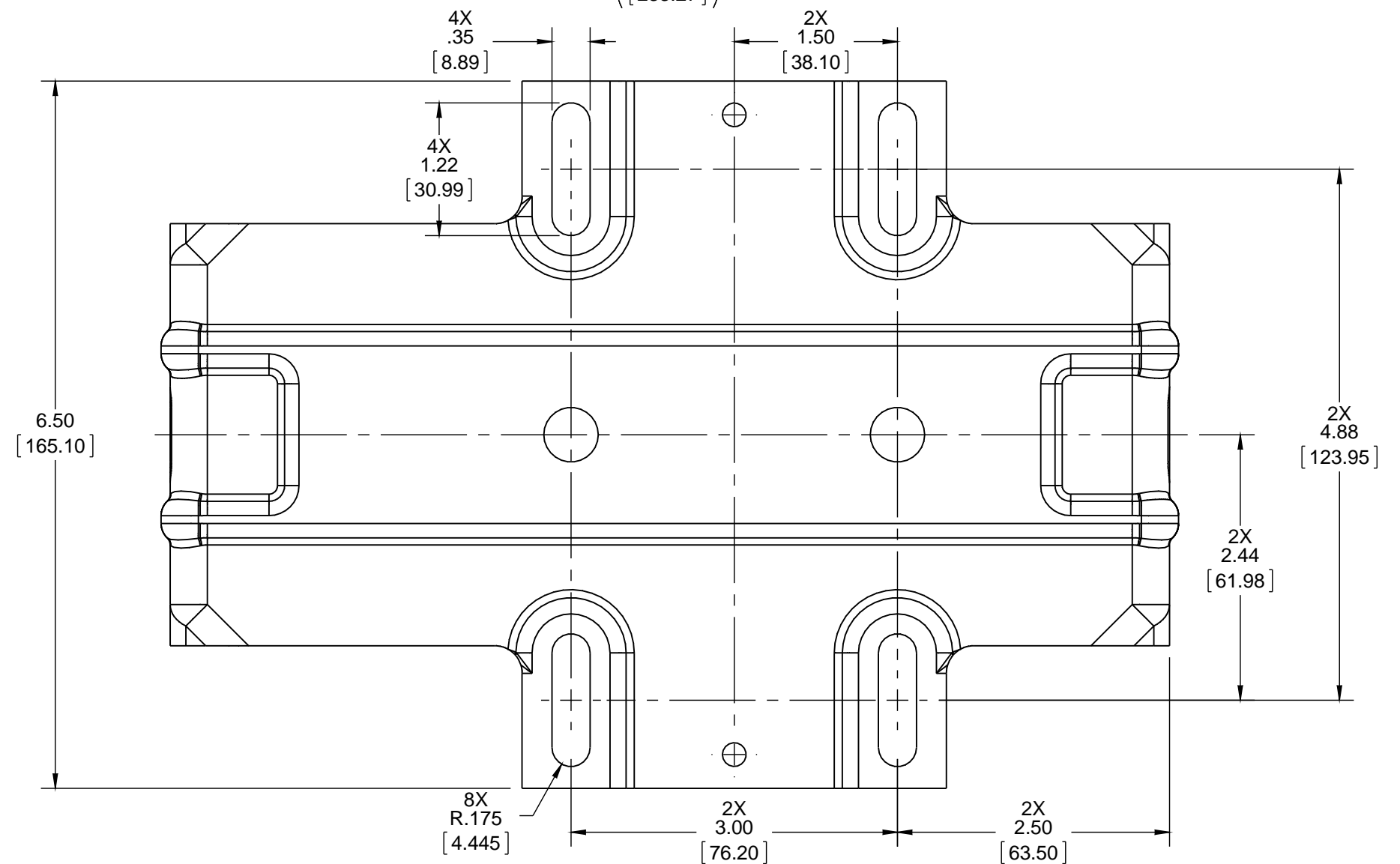
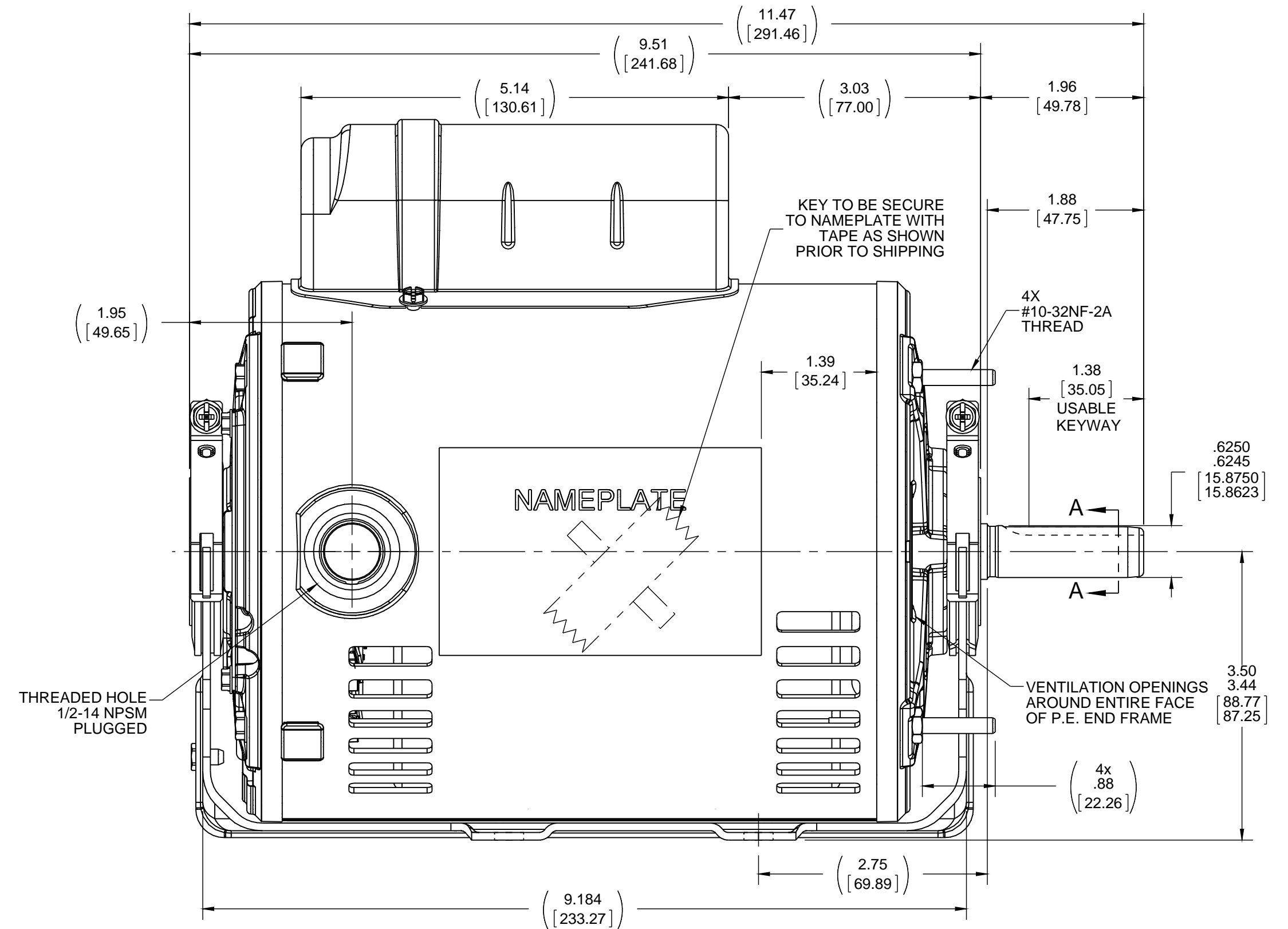
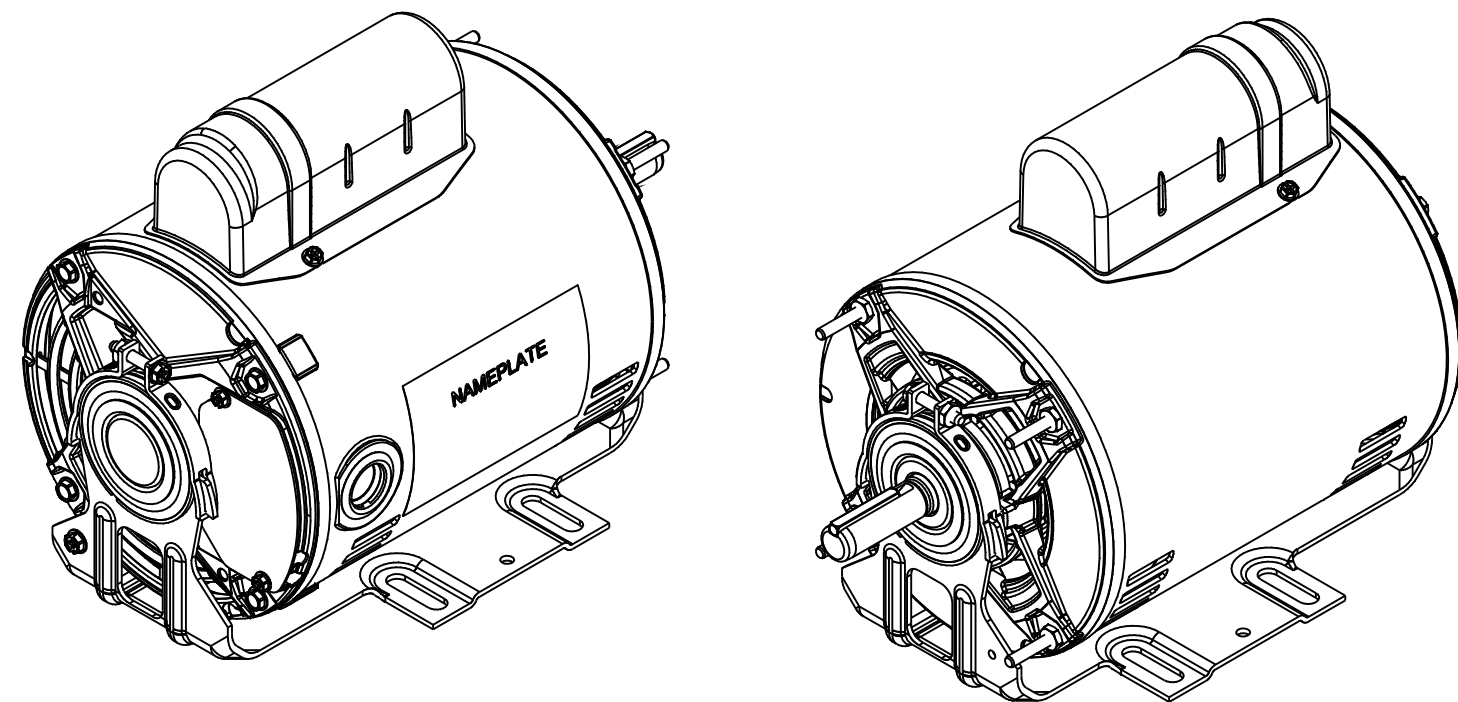
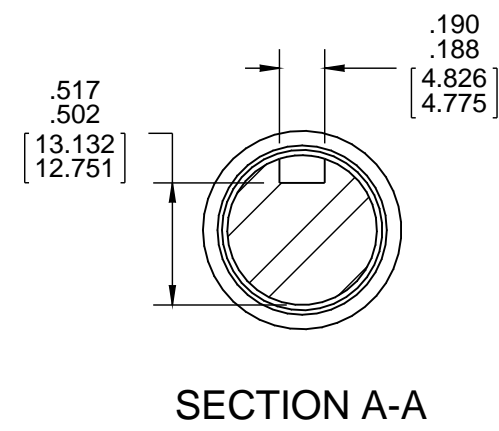
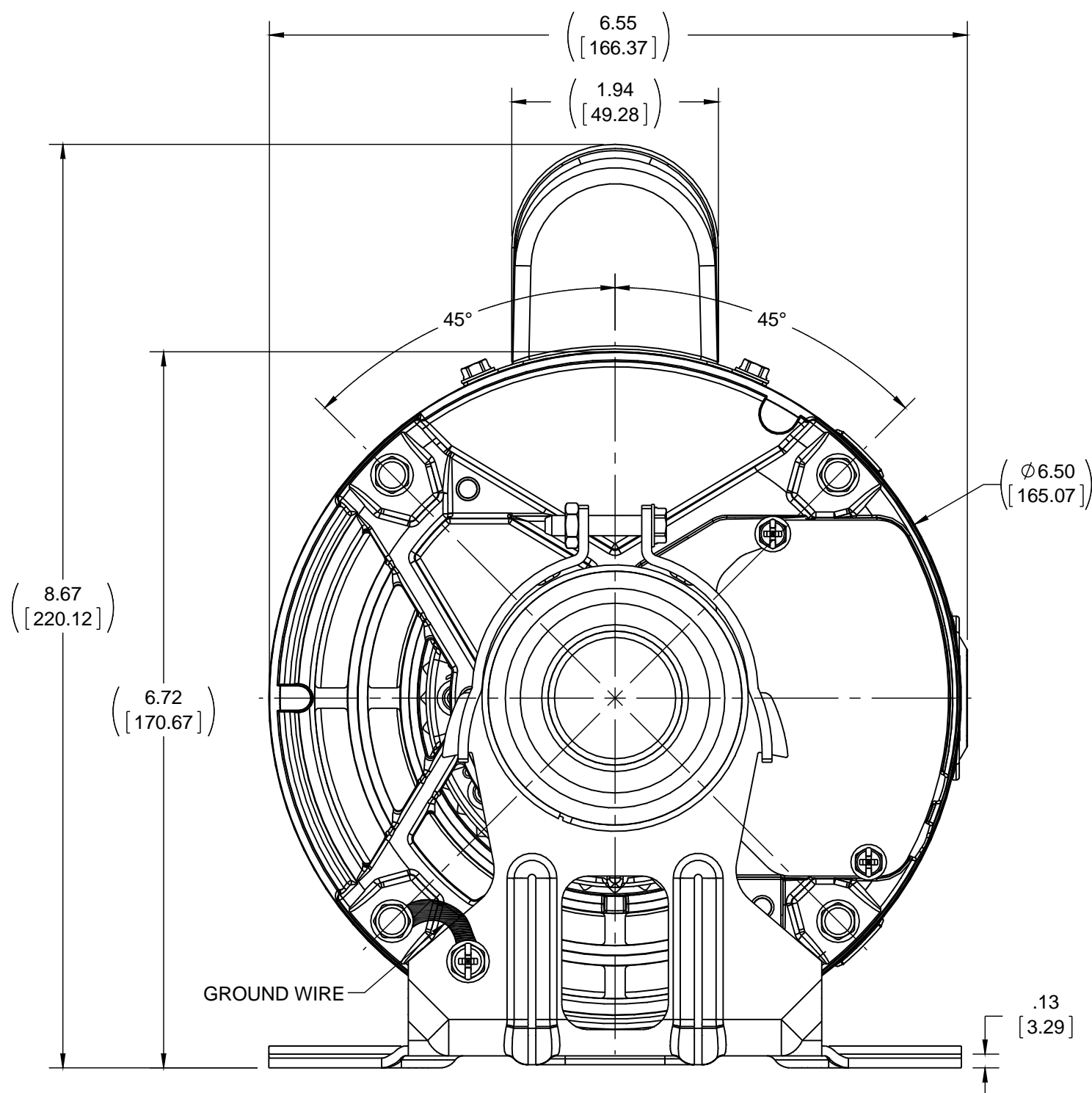
Nameplate Specifications

Phase	1	Output HP	0.75 Hp
Output KW	0.56 kW	Voltage	115/230 V
Speed	1725 rpm	Service Factor	1.25
Frame	56	Enclosure	Drip Proof
Thermal Protection	Thermally Protected	Efficiency	72 %
Ambient Temperature	40 °C	Frequency	60 Hz
Current	10.4/5.2 A	Duty	Continuous
Insulation Class	B	UL	Recognized
CSA	Y	CE	Y
Number of Speeds	1		

Technical Specifications

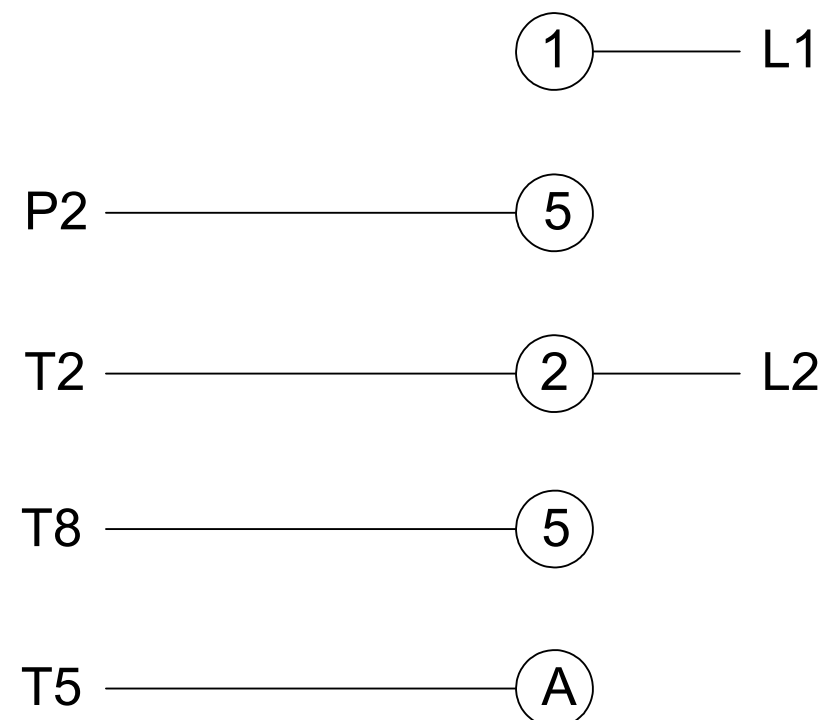
Electrical Type	Capacitor Start Induction Run	Starting Method	Across The Line
Poles	4	Rotation	Selective Counterclockwise
Mounting	Resilient Base	Drive End Bearing	Ball
Opp Drive End Bearing	Ball	Frame Material	Rolled Steel
Shaft Type	NEMA 56	Overall Length	11.47 in
Frame Length	7.15 in	Shaft Diameter	0.625 in
Shaft Extension	1.96 in		
Connection Drawing	DD10030-001	Outline Drawing	OL56100071-001

This is an uncontrolled document once printed or downloaded and is subject to change without notice. Date Created:10/11/2023

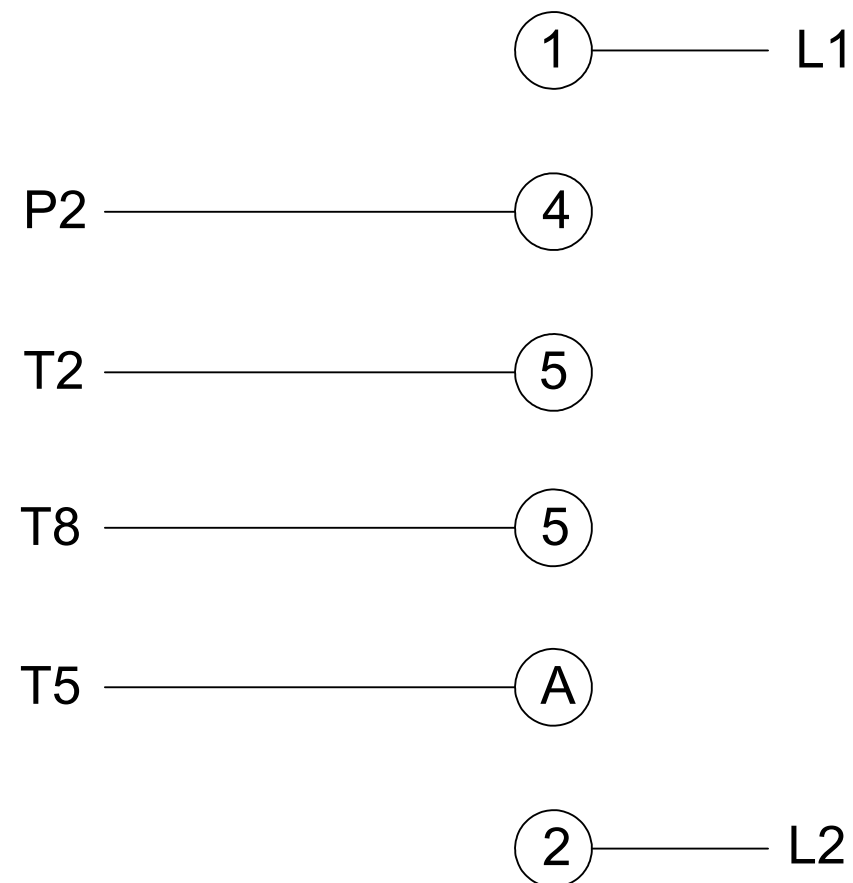


DRAWING REVISION A	REVISION BY E.VILLA	DATE 04-29-2016	TOLERANCES UNLESS OTHERWISE SPECIFIED: DEC. INCH mm ANGLE .X ±0.1 [±2.5] .XX ±0.03 [±0.76] .XXX ±0.005 [±0.127] .XXXX ±0.0005 [±0.0127] REMOVE BURRS & BREAK SHARP EDGES: .003/.015 [076/381] X 45° CORNER FILLETS: R.02 [51] MACHINED SURFACES: 125 INCH/mm 3.2 mm SHOWN IN [BRACKETS]	DRAWN BY E.VILLA	DATE 04-29-2016	APPROVED BY J.ORTEGA	DATE 04-29-2016	DESCRIPTION OUTLINE 56FR,DP,1-PHASE
ECO ECO-0101100	APPROVED BY J.ORTEGA	DATE 04-29-2016	ECO DESCRIPTION NEW MODEL RELEASE	APPROVED BY J.ORTEGA	DATE 04-29-2016	REFERENCE	MATERIAL	PROCESS/FINISH
<small>COPYRIGHT REGAL BELOIT AMERICA, INC. ALL RIGHTS RESERVED. PROPRIETARY AND CONFIDENTIAL INFORMATION - THIS DOCUMENT IS THE PROPERTY OF REGAL BELOIT AMERICA, INC. ('OWNER') AND CONTAINS OWNER'S PROPRIETARY INFORMATION. ANY PERSON, CORPORATION OR OTHER FIRM RECEIVING IT IS DEEMED, BY RECEIVING IT, TO AGREE THAT IT, AND/OR ANY PART OF IT, SHALL NOT BE DISCLOSED TO ANY PERSON, CORPORATION OR OTHER ENTITY, DUPLICATED, AND/OR USED, EXCEPT AS EXPRESSLY APPROVED IN WRITING IN ADVANCE BY OWNER. THIS DOCUMENT SHALL BE RETURNED TO OWNER UPON REQUEST. IT MAY BE SUBJECT TO CERTAIN RESTRICTIONS UNDER APPLICABLE EXPORT CONTROL LAWS AND REGULATIONS.</small>				THIRD ANGLE PROJECTION	SIZE C	DRAWING NUMBER OL56100071-001	SHEET 1 OF 1	

LOW VOLTAGE



HIGH VOLTAGE



DD10030-001

ROTATION CCW-LE TO REVERSE INTERCHANGE T8 AND T5 LEADS

PLATE: 41365

SLOT: 22

DRAWING REVISION A	REVISION BY G. RODRIGUEZ	DATE 07-15-2016	TOLERANCES UNLESS OTHERWISE SPECIFIED: DEC. INCH mm ANGLE .X ±0.1 [±2.5] ±0.5° .XX ±0.01 [±0.25] XXX ±0.005 [±0.127] .XXXX ±0.0005 [±0.0127] REMOVE BURRS & BREAK SHARP EDGES: .003/.015 [0.076/.381] X 45° CORNER FILLETS: R.02 [0.51] MACHINED SURFACES: 125/3.2 INCH/mm mm SHOWN IN [BRACKETS]	DRAWN BY G. RODRIGUEZ	REGAL ™ Regal Beloit America, Inc.		
ECO	APPROVED BY R. VALENZUELA	DATE 07-15-2016		DATE 07-15-2016			
ECO DESCRIPTION				APPROVED BY R. VALENZUELA	DESCRIPTION CONN DIAGRAM-NAMEPLATE		
<small>COPYRIGHT REGAL BELOIT AMERICA, INC. ALL RIGHTS RESERVED. PROPRIETARY AND CONFIDENTIAL INFORMATION - THIS DOCUMENT IS THE PROPERTY OF REGAL BELOIT AMERICA, INC. ("OWNER") AND CONTAINS OWNER'S PROPRIETARY INFORMATION. ANY PERSON, CORPORATION OR OTHER FIRM RECEIVING IT IS DEEMED, BY RECEIVING IT, TO AGREE THAT IT, AND/OR ANY PART OF IT, SHALL NOT BE DISCLOSED TO ANY PERSON, CORPORATION OR OTHER ENTITY, DUPLICATED, AND/OR USED, EXCEPT AS EXPRESSLY APPROVED IN WRITING IN ADVANCE BY OWNER. THIS DOCUMENT SHALL BE RETURNED TO OWNER UPON REQUEST. IT MAY BE SUBJECT TO CERTAIN RESTRICTIONS UNDER APPLICABLE EXPORT CONTROL LAWS AND REGULATIONS.</small>				DATE 07-15-2016			
				REFERENCE	MATERIAL	PROCESS/FINISH	
				THIRD ANGLE PROJECTION	SIZE B	DRAWING NUMBER DD10030-001	SHEET 1 OF 1

CENTURY

TYPICAL PERFORMANCE CURVE for AC MOTOR

Customer WW Grainger

Curve at

230

Volts

HP 0.75

PHASE 1

Model No C426V2

60

HZ

VOLTS 115/208-230

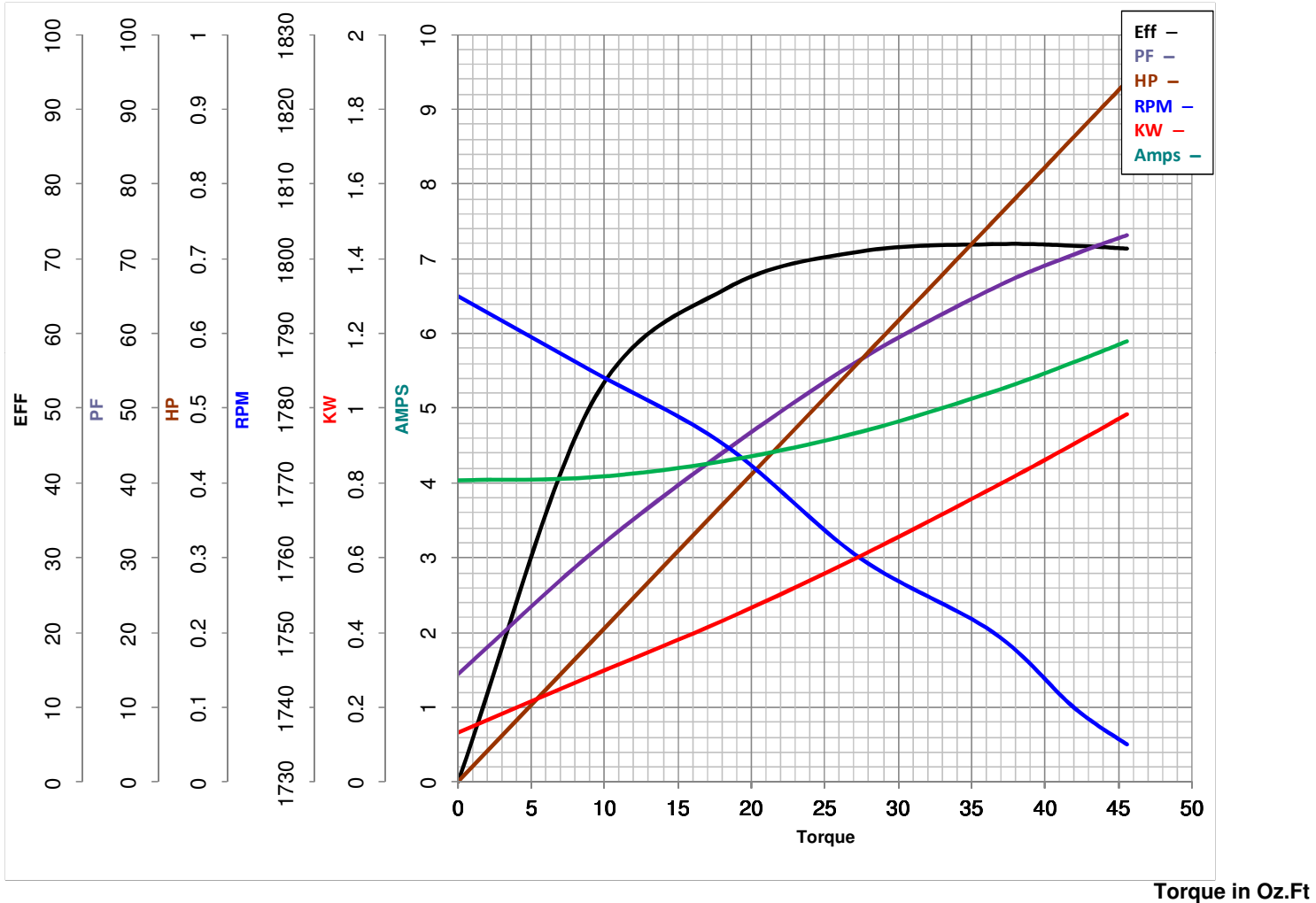
Catalog No C426V2

0.75

HP

HZ 60

RPM 1725



FL TORQUE	<u>36.5</u>	Oz.Ft	FL AMPS	<u>10.4/5.2-5.2</u>
BD TORQUE	<u>91.0</u>	Oz.Ft	PU TORQUE	<u>99.4</u>
LR TORQUE	<u>103.5</u>	Oz.Ft	LR AMPS	<u>30.85</u>
WINDING	NC56413-3	Prepared By	BHARGAVI	Date 8/27/2018