

PRODUCT INFORMATION PACKET



Model No: C412V2
Catalog No: C412V2

Fan and Blower Motor, 0.5 HP, 1 Ph, 60 Hz, 115/208-230 V, 1800 RPM, 56 Frame, DP



Regal and Century are trademarks of Regal Rexnord Corporation or one of its affiliated companies.
©2022 Regal Rexnord Corporation, All Rights Reserved. MC017097E





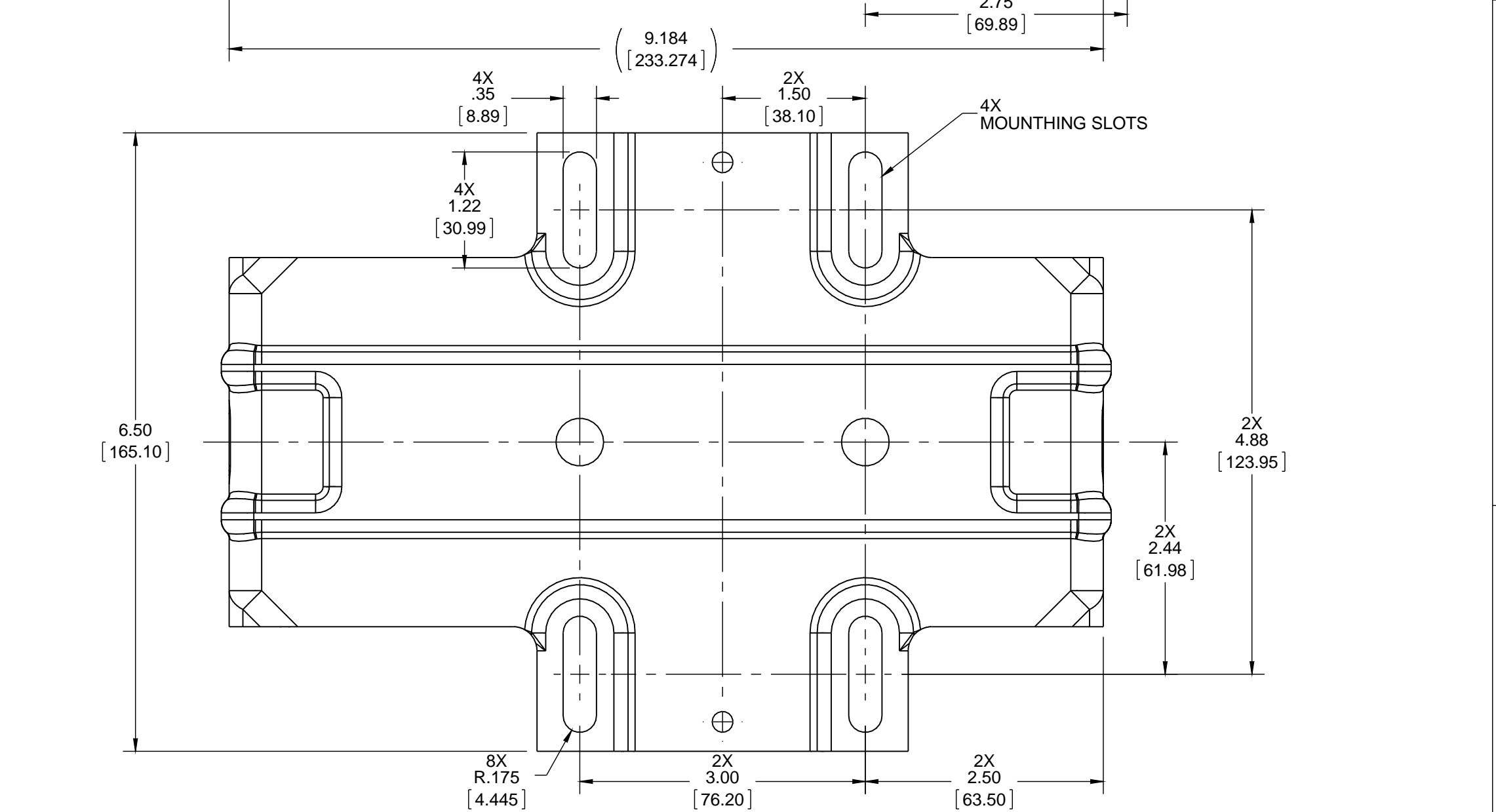
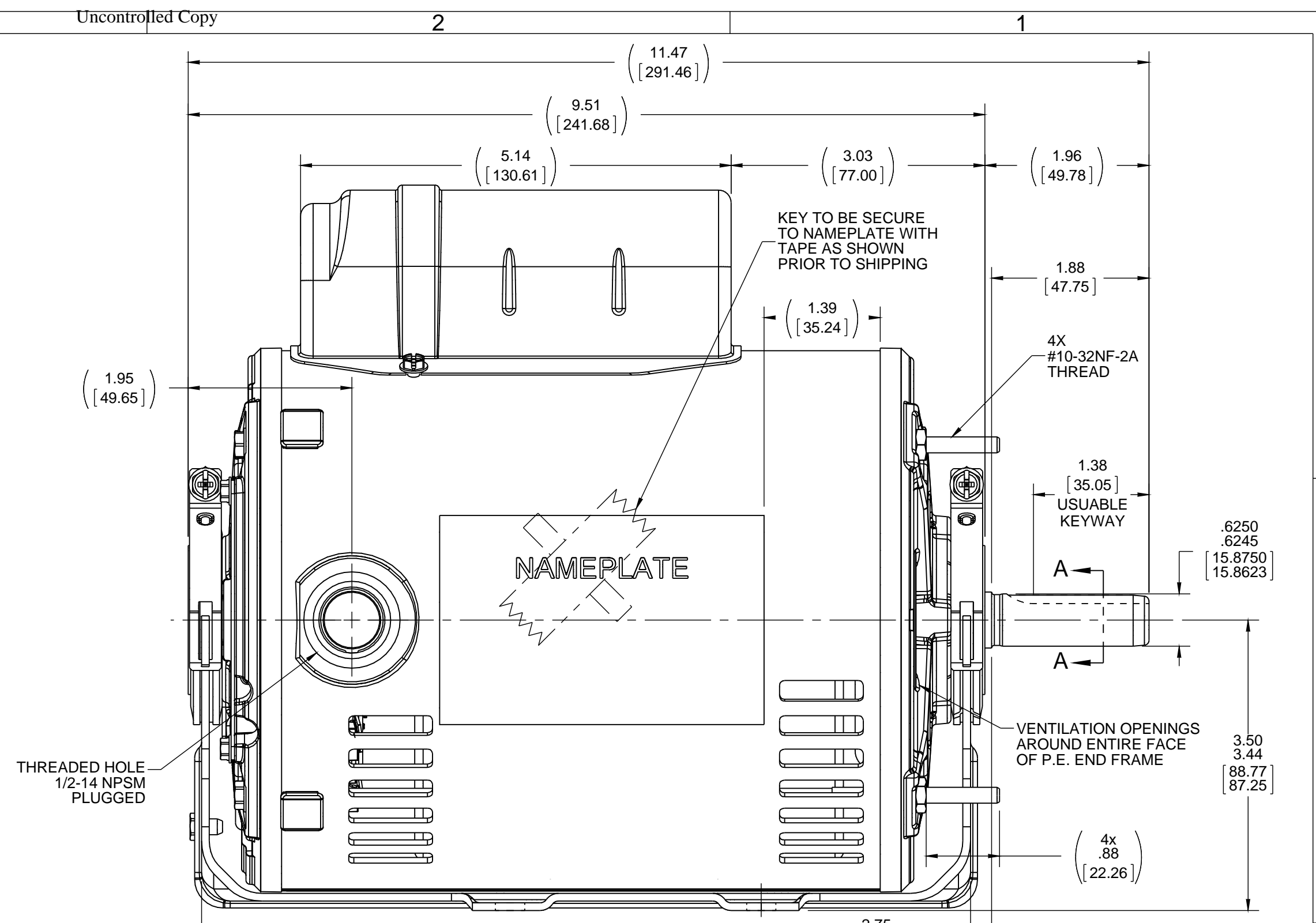
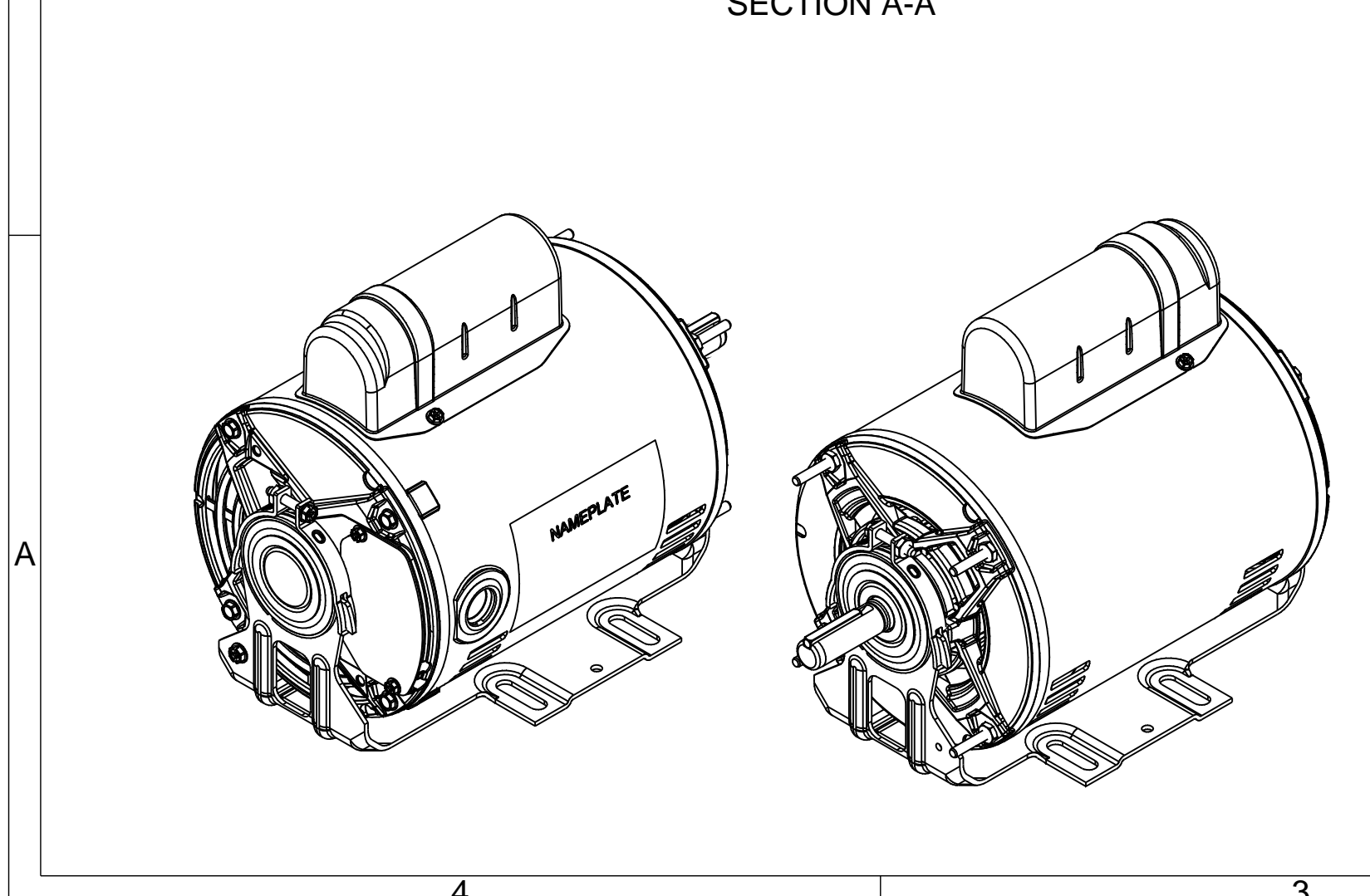
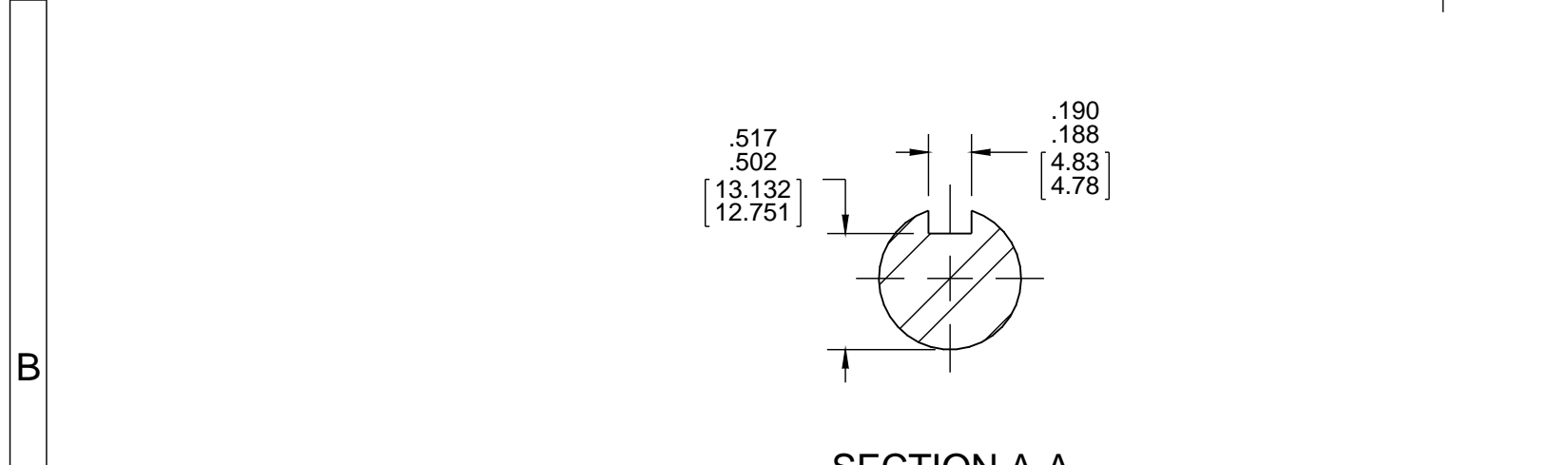
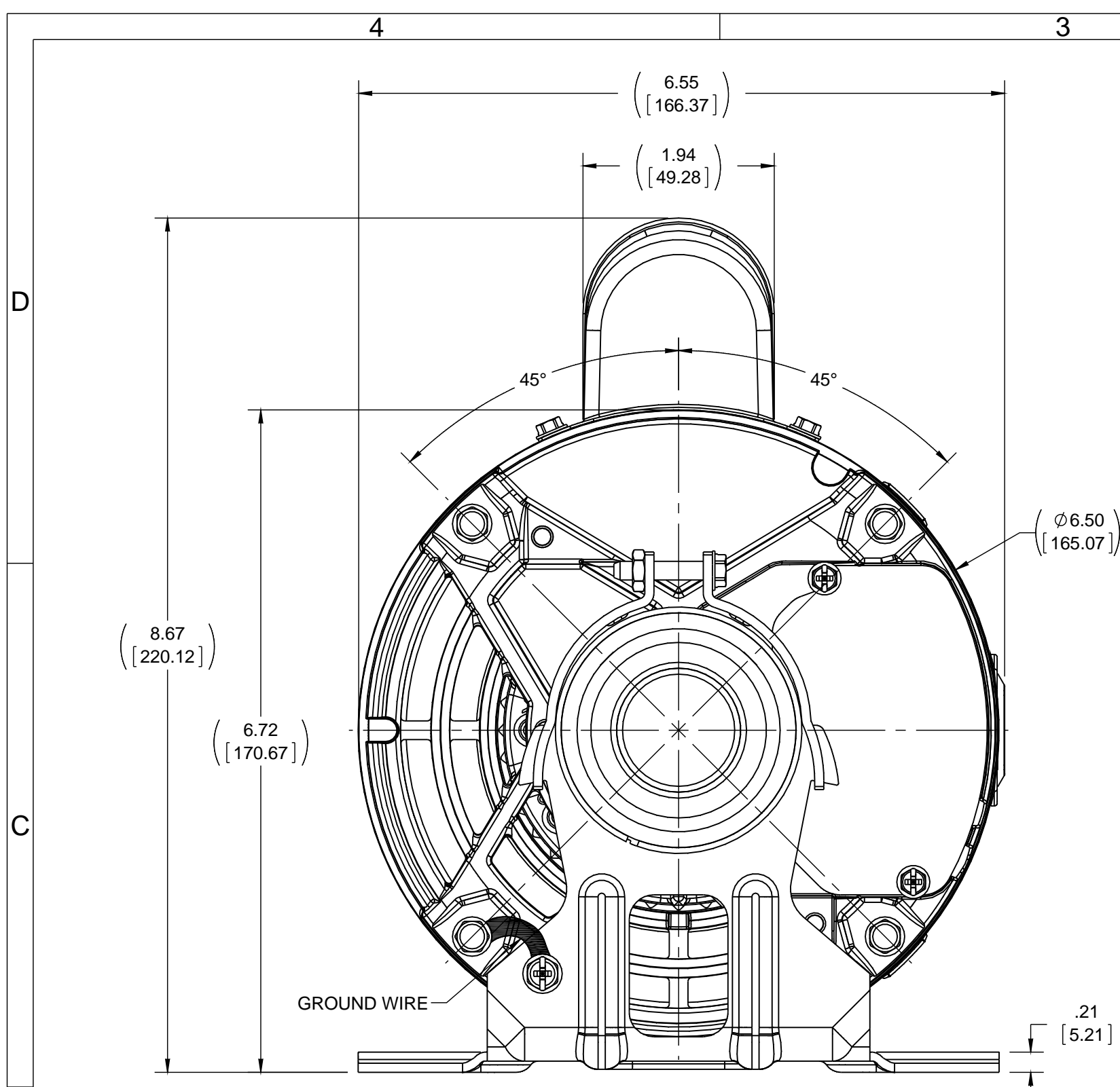
Nameplate Specifications

Output HP	0.5 Hp	Output KW	0.37 kW
Frequency	60 Hz	Voltage	115/208-230 V
Current	8.2/4.0-4.1 A	Speed	1725 rpm
Service Factor	1.25	Phase	1
Duty	Continuous	Insulation Class	B
Frame	56	Enclosure	Drip Proof
Thermal Protection	Thermally Protected	Ambient Temperature	40 °C
UL	Recognized	CSA	Y
CE	Y	Number of Speeds	1

Technical Specifications

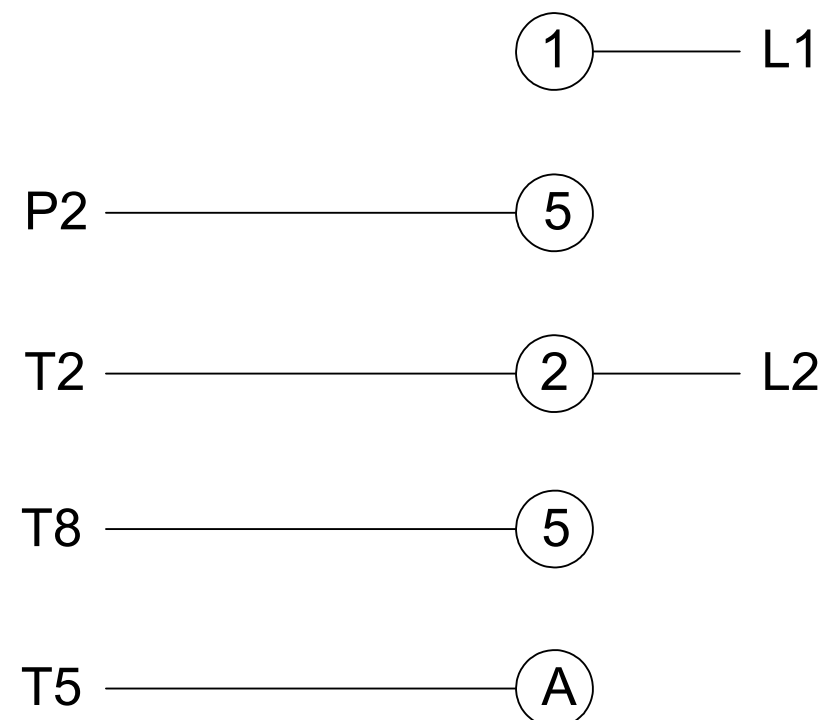
Electrical Type	Capacitor Start Induction Run	Starting Method	Across The Line
Poles	4	Rotation	Selective Counterclockwise
Mounting	Resilient Base	Drive End Bearing	Ball
Opp Drive End Bearing	Ball	Frame Material	Rolled Steel
Shaft Type	NEMA 56	Overall Length	11.47 in
Frame Length	7.15 in	Shaft Diameter	0.625 in
Shaft Extension	1.96 in		
Connection Drawing	DD10030-001	Outline Drawing	OL56100076-001

This is an uncontrolled document once printed or downloaded and is subject to change without notice. Date Created:11/29/2022

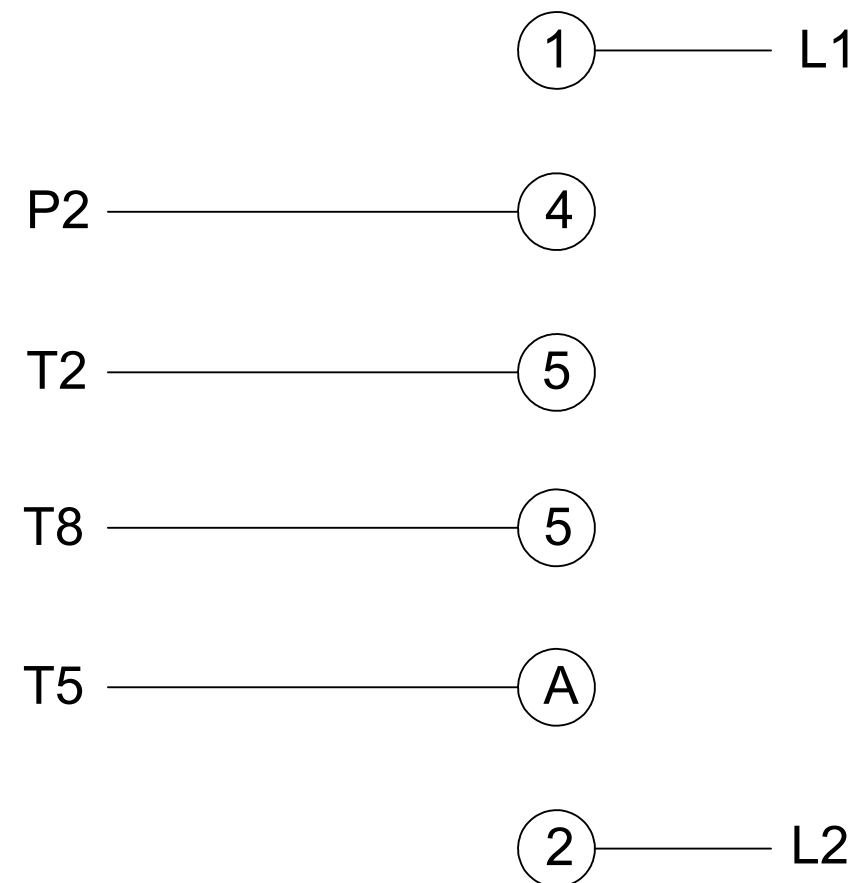


DRAWING REVISION A	REVISION BY D. VALENCIANO	DATE 05-03-2016	TOLERANCES UNLESS OTHERWISE SPECIFIED:		DRAWN BY D. VALENCIANO	Regal Beloit America, Inc.
ECO ECO-0101402	APPROVED BY J. ORTEGA	DATE 05-03-2016	DEC.	INCH	mm	
ECO DESCRIPTION NEW MODEL RELEASE			.X	±0.1	[±2.5]	±0.5°
<small>COPYRIGHT REGAL BELOIT AMERICA, INC. ALL RIGHTS RESERVED. PROPRIETARY AND CONFIDENTIAL INFORMATION - THIS DOCUMENT IS THE PROPERTY OF REGAL BELOIT AMERICA, INC. ('OWNER') AND CONTAINS OWNER'S PROPRIETARY INFORMATION. ANY PERSON, CORPORATION OR OTHER FIRM RECEIVING IT IS DEEMED, BY RECEIVING IT, TO AGREE THAT IT, AND/OR ANY PART OF IT, SHALL NOT BE DISCLOSED TO ANY PERSON, CORPORATION OR OTHER ENTITY, DUPLICATED, AND/OR USED, EXCEPT AS EXPRESSLY APPROVED IN WRITING IN ADVANCE BY OWNER. THIS DOCUMENT SHALL BE RETURNED TO OWNER UPON REQUEST. IT MAY BE SUBJECT TO CERTAIN RESTRICTIONS UNDER APPLICABLE EXPORT CONTROL LAWS AND REGULATIONS.</small>			.XX	±0.03	[±0.76]	
			.XXX	±0.005	[±0.127]	
			.XXXX	+0.0005	[±0.0127]	
			REMOVE BURRS & BREAK SHARP EDGES: .003/.015 [0.076/.381] X 45°			
			CORNER FILLETS: R.02 [51]			
			MACHINED SURFACES: 125/INCH 3.2/mm			
			mm SHOWN IN [BRACKETS]			
			DATE 05-03-2016		DESCRIPTION OUTLINE 56FR, DP, 1-PHASE	
			APPROVED BY J. ORTEGA		MATERIAL	
			DATE 05-03-2016		PROCESS/FINISH	
			REFERENCE C421V1		DRAWING NUMBER OL56100076-001	
			THIRD ANGLE PROJECTION		SHEET 1 OF 1	

LOW VOLTAGE



HIGH VOLTAGE



DD10030-001

ROTATION CCW-LE TO REVERSE INTERCHANGE T8 AND T5 LEADS

PLATE: 41365

SLOT: 22

DRAWING REVISION A	REVISION BY G. RODRIGUEZ	DATE 07-15-2016	TOLERANCES UNLESS OTHERWISE SPECIFIED: DEC. INCH mm ANGLE .X ±0.1 [±2.5] ±0.5° .XX ±0.01 [±0.25] .XXX ±0.005 [±0.127] .XXXX ±0.0005 [±0.0127] REMOVE BURRS & BREAK SHARP EDGES: .003/.015 [0.076/.381] X 45° CORNER FILLETS: R.02 [0.51] MACHINED SURFACES: 125/3.2 INCH/mm mm SHOWN IN [BRACKETS]	DRAWN BY G. RODRIGUEZ	REGAL ™ Regal Beloit America, Inc.		
ECO	APPROVED BY R. VALENZUELA	DATE 07-15-2016		DATE 07-15-2016			
ECO DESCRIPTION				APPROVED BY R. VALENZUELA	DESCRIPTION CONN DIAGRAM-NAMEPLATE		
<small>COPYRIGHT REGAL BELOIT AMERICA, INC. ALL RIGHTS RESERVED. PROPRIETARY AND CONFIDENTIAL INFORMATION - THIS DOCUMENT IS THE PROPERTY OF REGAL BELOIT AMERICA, INC. ("OWNER") AND CONTAINS OWNER'S PROPRIETARY INFORMATION. ANY PERSON, CORPORATION OR OTHER FIRM RECEIVING IT IS DEEMED, BY RECEIVING IT, TO AGREE THAT IT, AND/OR ANY PART OF IT, SHALL NOT BE DISCLOSED TO ANY PERSON, CORPORATION OR OTHER ENTITY, DUPLICATED, AND/OR USED, EXCEPT AS EXPRESSLY APPROVED IN WRITING IN ADVANCE BY OWNER. THIS DOCUMENT SHALL BE RETURNED TO OWNER UPON REQUEST. IT MAY BE SUBJECT TO CERTAIN RESTRICTIONS UNDER APPLICABLE EXPORT CONTROL LAWS AND REGULATIONS.</small>				DATE 07-15-2016			
				REFERENCE	MATERIAL	PROCESS/FINISH	
				THIRD ANGLE PROJECTION	SIZE B	DRAWING NUMBER DD10030-001	SHEET 1 OF 1

CERTIFICATION DATA SHEET

CUSTOMER:

**CUSTOMER
PO#:**

ORDER #:

**CUSTOMER PART
#:**

CONN. DIAGRAM: CDCD101

OUTLINE: OL56100076-001

MOUNTING: F1 ONLY

WINDING #: NC56415 3 A

TYPICAL MOTOR PERFORMANCE DATA

HP	kW	SYNC. RPM	F.L. RPM	FRAME	ENCLOSURE	KVA CODE	DESIGN
1/2	0.37	1800	1725	56	DP	L	NO DESIGN CODE

PH	Hz	VOLTS	AMPS	START TYPE	DUTY	INSL	S.F.	AMB°C
1	60	115/208-230	8.2/4.0-4.1	ACROSS THE LINE	CONTINUOUS	B3	1.25	40

FULL LOAD EFF:	62	3/4 LOAD EFF:	60	1/2 LOAD EFF:	53.5	GTD. EFF		ELEC. TYPE
FULL LOAD PF:	64	3/4 LOAD PF:	55	1/2 LOAD PF:	44.5	57.5		CAP START IND RUN

F.L. TORQUE	LOCKED ROTOR AMPS	L.R. TORQUE	B.D. TORQUE	F.L. RISE°C
24.1 OZ-FT	41.1 / 20.6	81 OZ-FT 336 %	60.98 OZ-FT 253 %	0

SOUND PRESSURE @ 3 FT.	SOUND POWER	ROTOR WK^2	MAX. WK^2	SAFE STALL TIME	STARTS / HOUR	APPROX. MOTOR WGT
0 dBA	10 dBA	0 LB-FT^2	0 LB-FT^2	0 SEC.	0	0 LBS.

***** SUPPLEMENTAL INFORMATION *****

DE BRACKET TYPE	ODE BRACKET TYPE	MOUNT TYPE	ORIENTATION	SEVERE DUTY	HAZARDOUS LOCATION	DRIP COVER	SCREENS	PAINT
STANDARD	STANDARD	RESILIENT BASE	HORIZONTAL	FALSE	NONE	FALSE	NONE	BLACK (POWDER)

BEARINGS		GREASE	SHAFT TYPE	SPECIAL DE	SPECIAL ODE	SHAFT MATERIAL	FRAME MATERIAL
DE	ODE						
BALL	BALL	POLYREX EM	STANDARD 56	NONE	NONE	AISI 1215 (MS1000)	ROLLED STEEL
6203	6203						

THERMO-PROTECTORS				THERMISTORS	CONTROL	SPACE HEATERS
THERMOSTATS	PROTECTORS	WDG RTDs	BRG RTDs			
NONE	AUTOMATIC	NONE	NONE	NONE	FALSE	NONE VOLTS

*

N

O

T

E

S

*

INVERTER TORQUE: NONE
INV. HP SPEED RANGE: NONE
ENCODER: NONE
NONE NONE
NONE NONE PPR
BRAKE: NONE NONE
NONE P/N NONE
NONE NONE
NONE FT-LB NONE V NONE Hz

PREPARED BY: Bhargavi Dontham
DATE: 08/27/2018 03:40:35 AM
 FORM 3531 REV.3 02/07/99
 ** Subject to change without notice.

CENTURY

TYPICAL PERFORMANCE CURVE for AC MOTOR

Customer WW Grainger

Curve at

230

Volts

HP 0.5

PHASE 1

Model No C412V2

60

HZ

VOLTS 115/208-230

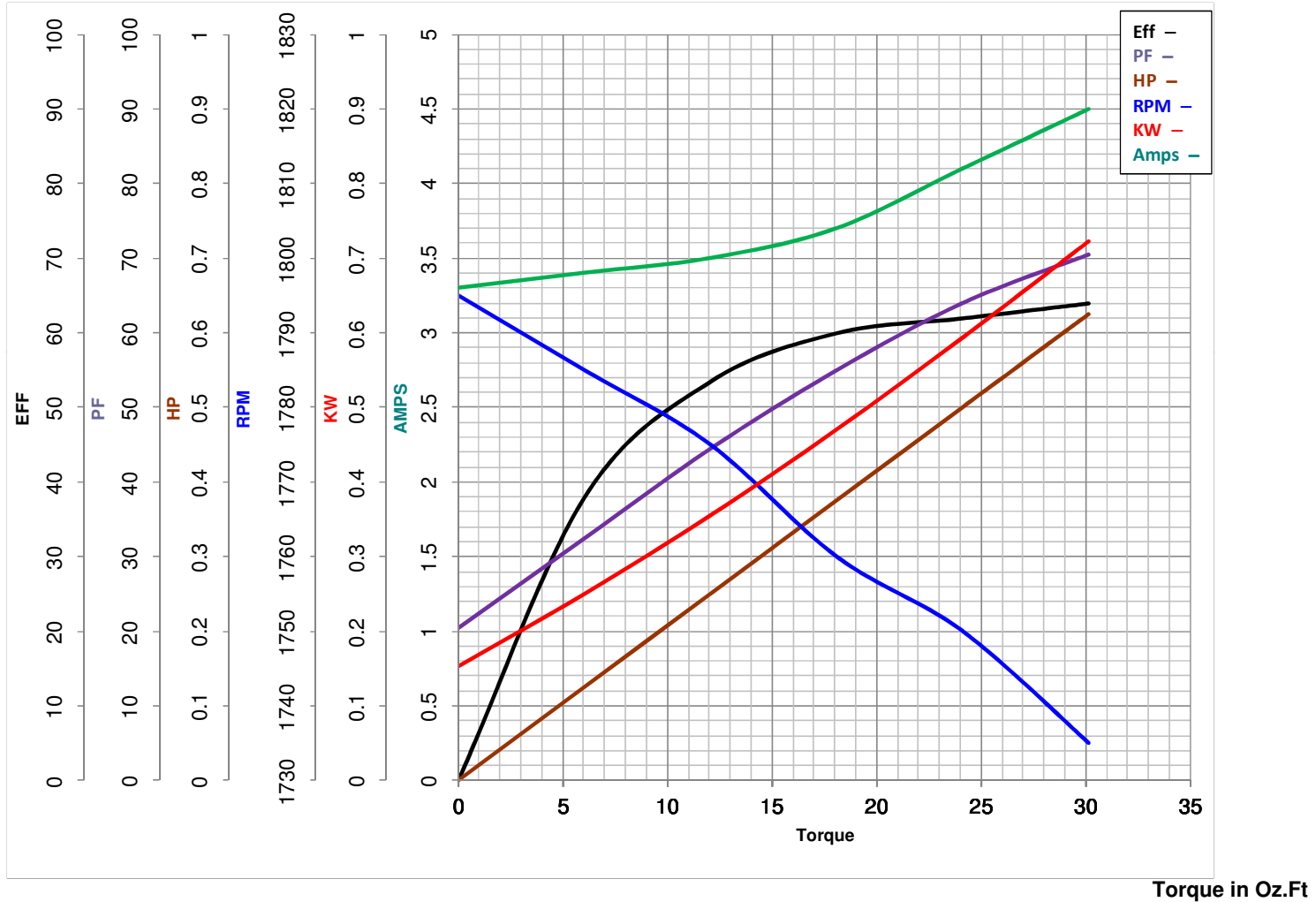
0.5

HP

Catalog No C412V2

HZ 60

RPM 1725



Torque in Oz.Ft

FL TORQUE 24.1 Oz.Ft
 BD TORQUE 61.0 Oz.Ft
 LR TORQUE 81 Oz.Ft

FL AMPS 8.2/4.0-4.1
 PU TORQUE 80.5 Oz.Ft
 LR AMPS 20.57

WINDING NC56415-3

Prepared By BHARGAVI

Date 8/27/2018