

Product Overview



Print



Product Type :	AC Motors
Product Family:	5-5/8" Diameter (48 Frame)
Stock Number:	C045A
Reference:	Catalog Page: 184
Description:	MODEL-RFHP-48FR
Features:	Product feature information temporarily unavailable
Applications:	Product application information temporarily unavailable
List Price:	\$289

The image shown is representative only and the actual product may differ from the image shown

TECHNICAL SPECIFICATIONS NOTES DRAWINGS

Horse Power:	1/4
Amperes:	4.0/2.0
Frequency:	60
RPM:	1100
Voltage:	115/230
Number of Speeds:	1
Motor Type:	UF
Frame Size:	48Z
Nema Suffix:	Z
Service Factor:	1.0
Phase:	1
Enclosure:	ENCLOSED
Bearings:	BALL/BALL
Ambient Temperature:	40
Insulation Class:	B
Rotation:	REV
Protector:	AUTOMATIC
Agency Approvals:	ULCSA
Capacitor Rating:	6.0MFD/370VAC
Duty Cycle:	AIR OVER

4

3

2

1

REV	ECO	REV BY	DATE	APPD	DATE
M	0002628	Lara	10-27-2008	C. Contreras	10-27-2008

NOTES:
1. SHIP SEPERATE 72T7140A-2

GENERAL INFORMATION:

SHAFT RUNOUT: .001 [.03] T.I.R. PER INCH LENGTH OF EXTENSION

BEARINGS: 203 BALL

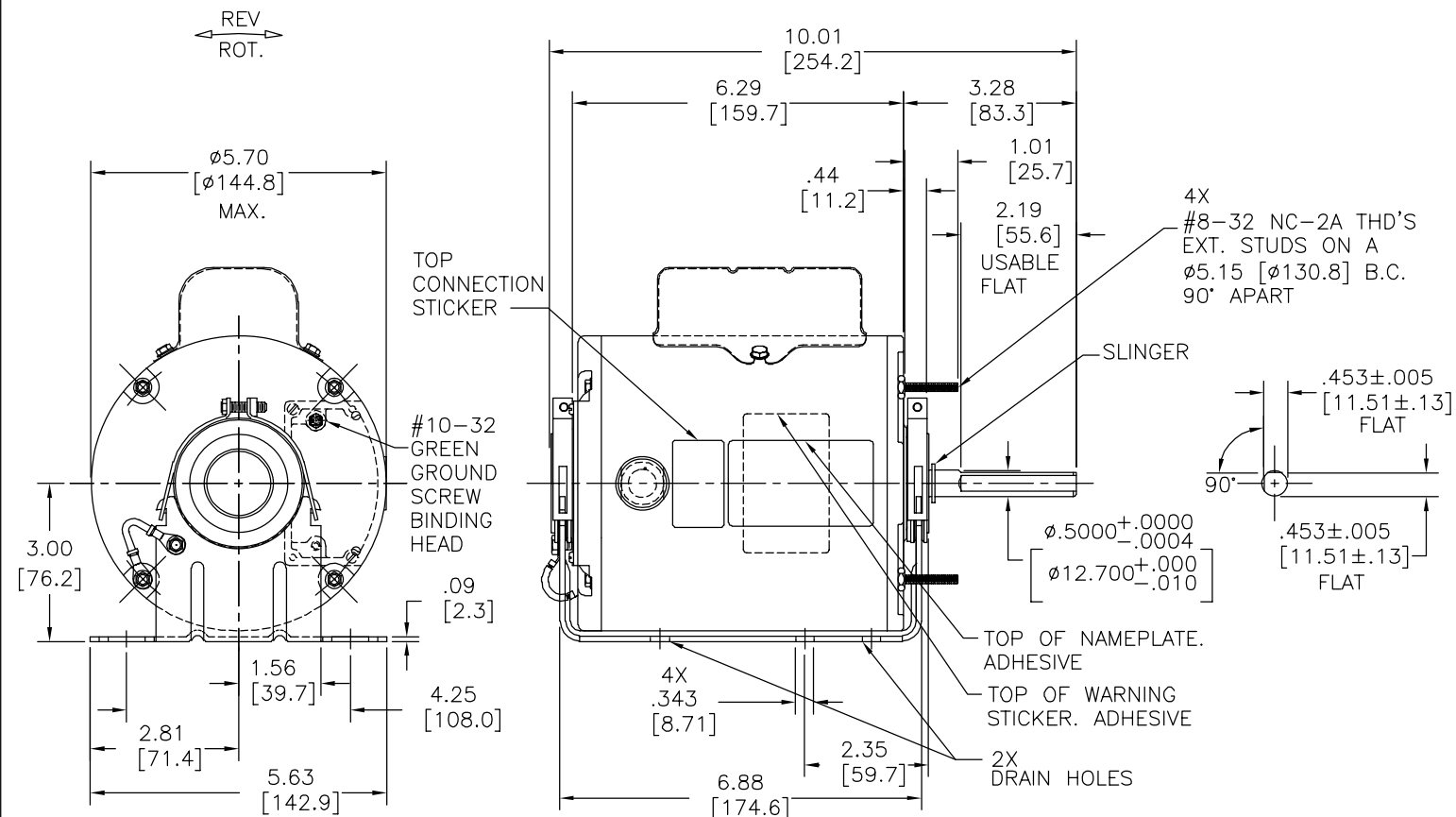
MOUNTING POSITION: HORIZONTAL

ELECTRICAL DATA:

OVERLOAD PROTECTOR: AUTOMATIC RESET (T.I. 7AM 036)

LEADS: NO. 18 GA., .03 [.8] THK. XLP 125°C INSUL.

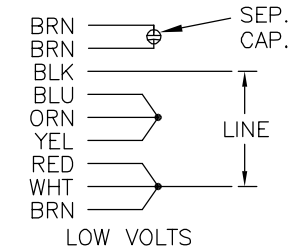
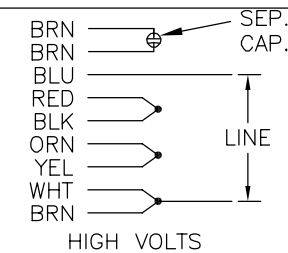
GROUND LEAD: NO. 18 GA., .03 [.8] THK. GRN/YEL. INSUL.



NAMEPLATE DATA:

MODEL NO.: F48Y38A01
CUST. P/N: C046A
HP: 1/3
ROT.: REV
RPM: 1100
TYPE: UF
FRAME: 48Z
VOLTS: 115/230
PH: 1
AMPS: 4.5/2.3
HZ: 60
INS.: B
AMB.: 40°C
DUTY: AIR OVER
CAP.: 7.5 MFD/370 V
ENCL: ENCLOSED
UL LOGO
CSA LOGO
THERMALLY PROTECTED

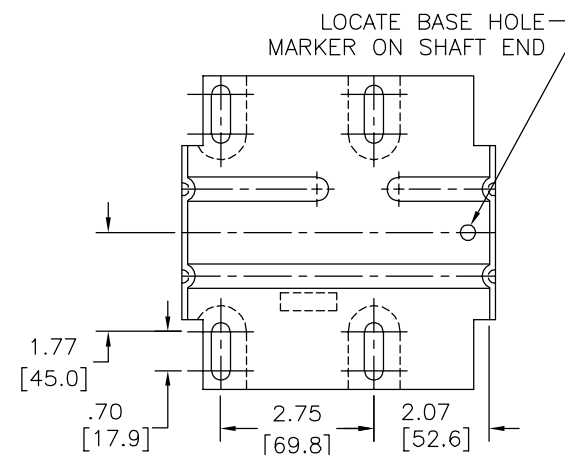
EXTERNAL CONNECTION DIAGRAM



MOTOR CONNECTED FOR CCWLE ROTATION & 115V TO REVERSE, INTERCHANGE BROWN & YELLOW LEADS

614131-344

GRN/YEL (GRD)	3.0/5.0 [76/127]	#8 EYELET
BLUE	5.0/7.0 [127/178]	.50 [12.8] STRIP
RED	5.0/7.0 [127/178]	.50 [12.8] STRIP
BLACK	5.0/7.0 [127/178]	.50 [12.8] STRIP
ORANGE	5.0/7.0 [127/178]	.50 [12.8] STRIP
YELLOW	5.0/7.0 [127/178]	.50 [12.8] STRIP
WHITE	5.0/7.0 [127/178]	.50 [12.8] STRIP
BROWN	5.0/7.0 [127/178]	.50 [12.8] STRIP
BROWN	CONNECTED TO CAPACITOR	.25 [6.4] FLAG
BROWN	CONNECTED TO CAPACITOR	.25 [6.4] FLAG
COLOR	LENGTH	TERMINAL OR STRIP LENGTH



MAIN FRAME - OLE	ENCL. W/DRAIN PLUG
END FRAME - OLE	ENCL.
MAIN FRAME - LE	ENCL. W/DRAIN PLUG
END FRAME - LE	ENCL.

CUSTOMER DIST. SERVICES

PERFORMANCE CURVE NO.	TORQUE @1100 RPM (25°C)	APPROVED SAMPLE	UL COMPONENT FILE #	CCN #	CSA FILE #	CLASS #
C32623	32.3 OZ. FT.	0601687A	E46412	PRGY2	LR43341	4211-01

GEOMETRIC CHARACTERISTICS & SYMBOLS
 ▽ FLATNESS
 — STRAIGHTNESS
 ∠ ANGULARITY
 ⊥ PERPENDICULARITY (SQUARENESS)
 // PARALLELISM
 ○ ROUNDNESS (CIRCULARITY)
 ∅ CYLINDRICITY
 △ PROFILE OF ANY SURFACE
 ∩ PROFILE OF ANY LINE
 ↗ RUNOUT
 ⊕ TRUE POSITION
 ⊙ CONCENTRICITY
 = SYMMETRY

A.O. SMITH PROVIDES TECHNICAL ASSISTANCE TO OUR CUSTOMERS IN SEVERAL AREAS. SINCE A.O. SMITH DOES NOT RECEIVE ALL DATA CONCERNING THE USE AND APPLICATION OF THE MOTOR, THE SUITABILITY OF THE MOTOR FOR THE APPLICATION MUST BE DETERMINED BY THE CUSTOMER.

DIMENSIONS WITHOUT TOLERANCES ARE FOR REFERENCE ONLY.

DR BY: SR 11-17-2006
 APPD: AS 01-31-2007
 THIRD ANGLE PROJECTION
 EDS DATE 01-21-2007
 FORMAT REV F
 CONFIDENTIAL: THIS DRAWING AND ITS INFORMATION ARE THE EXCLUSIVE AND CONFIDENTIAL PROPERTY OF A.O. SMITH CORP. AND ARE NOT TO BE DISCLOSED, DUPLICATED, DISTRIBUTED OR OTHERWISE USED WITHOUT THE WRITTEN CONSENT OF A.O. SMITH CORP.
 -ALL RIGHTS RESERVED. ASME Y14.5M 1994

AC Smith **ELECTRICAL PRODUCTS COMPANY**
 Innovation has a name. A DIVISION OF A.O. SMITH CORPORATION

DESCRIPTION: **OUTLINE**

SIZE: C DWG NO: F48Y38A01

SCALE: NONE SHEET 1

4

3

2

1