

PRODUCT INFORMATION PACKET



Model No: C039A

Catalog No: C039A

1/2 HP Farm / AG Direct Drive Fan Motor, 825 RPM, 115/230 Volts, 48 Frame, TEAO

Direct Drive Fan Motors



Regal and Century are trademarks of Regal Rexnord Corporation or one of its affiliated companies.

©2022 Regal Rexnord Corporation, All Rights Reserved. MC017097E





Nameplate Specifications

Output HP	1/2 Hp	Output KW	0.37 kW
Frequency	60 Hz	Voltage	115/230 V
Current	7.1/3.6 A	Speed	825 rpm
Service Factor	1	Phase	1
Duty	Air Over	Insulation Class	B
Frame	F48Z	Enclosure	Totally Enclosed
Thermal Protection	Automatic	Ambient Temperature	40 °C
UL	Recognized	CSA	Y
CE	N	Number of Speeds	1

Technical Specifications

Electrical Type	Permanent Split Capacitor	Starting Method	Across The Line
Poles	8	Rotation	Reversible
Mounting	Resilient Base	Drive End Bearing	Ball
Opp Drive End Bearing	Ball	Frame Material	Rolled Steel
Shaft Type	Flat	Overall Length	10.50 in
Frame Length	6.50 in	Shaft Diameter	0.500 in
Shaft Extension	3.14 in		
Connection Drawing	D0000522-001	Outline Drawing	F48Z92A01

This is an uncontrolled document once printed or downloaded and is subject to change without notice. Date Created:01/11/2022

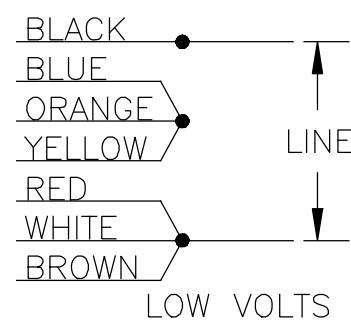
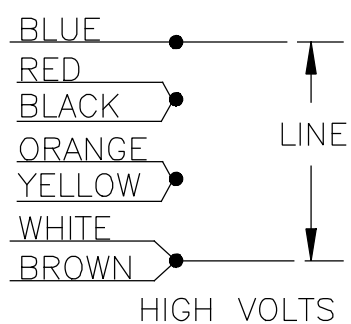
GENERAL INFORMATION:

SHAFT RUNOUT: .001[.03] T.I.R. PER INCH LENGTH OF EXTENSION
 BEARINGS: BALL
 MOUNTING POSITION: HORIZONTAL
 ELECTRICAL DATA:
 OVERLOAD PROTECTOR: AUTOMATIC RESET (SENSATA 7AM036)
 LEADS: NO. 18 GA., .03[.8] THK. XLP 125°C INSUL.
 GROUND LEAD: NO. 18 GA., .03[.8] THK. (GRN/YEL) INSUL.

NAMEPLATE DATA:

MODEL NO.: F48Z92A01
 CUST. P/N: C039A
 HP: 1/2
 ROT.: REV.
 RPM: 825
 TYPE: UF
 FRAME: 48Z
 VOLTS: 115/230
 PH: 1
 AMPS: 7.1/3.6
 HZ: 60
 INS.: B
 AMB.: 40 °C
 DUTY: AIR OVER
 CAP.: 30 MFD/370V
 ENCL: ENCLOSED
 UL LOGO
 CSA LOGO
 THERMALLY PROTECTED

EXTERNAL CONNECTION DIAGRAM



SHOWN FOR CWLE ROTATION, FOR CWLE INTERCHANGE BROWN & YELLOW LEADS
 D0000522-001

PERFORMANCE CURVE NO.	TORQUE @825 RPM (25°C)	APPROVED SAMPLE	UL COMPONENT		CSA	
C32754	61.0 OZ.FT.	0604337B	FILE #	CCN #	FILE #	CLASS #
			E46412	PRGY2	LR43341	4211-01

COLOR	LENGTH	TERMINAL OR STRIP LENGTH
GREEN/YELLOW (GRD)	3.0/5.0 [76/127]	#10 EYELET
BROWN	CONNECTED TO CAP.	.25[6.4] FLAG
BROWN	CONNECTED TO CAP.	.25[6.4] FLAG
BROWN	5.0/7.0 [127/178]	.50[12.7] SKIN
BLACK	5.0/7.0 [127/178]	.50[12.7] SKIN
BLUE	5.0/7.0 [127/178]	.50[12.7] SKIN
YELLOW	5.0/7.0 [127/178]	.50[12.7] SKIN
ORANGE	5.0/7.0 [127/178]	.50[12.7] SKIN
WHITE	5.0/7.0 [127/178]	.50[12.7] SKIN
RED	5.0/7.0 [127/178]	.50[12.7] SKIN

LEAD DATA

REGAL-BELOIT CORPORATION (RBC) PROVIDES TECHNICAL ASSISTANCE TO OUR CUSTOMERS IN SEVERAL AREAS. SINCE RBC DOES NOT RECEIVE ALL DATA CONCERNING THE USE AND APPLICATION OF THE MOTOR, THE SUITABILITY OF THE MOTOR FOR THE APPLICATION MUST BE DETERMINED BY THE CUSTOMER.

DIMENSIONS WITHOUT TOLERANCES ARE FOR REFERENCE ONLY.

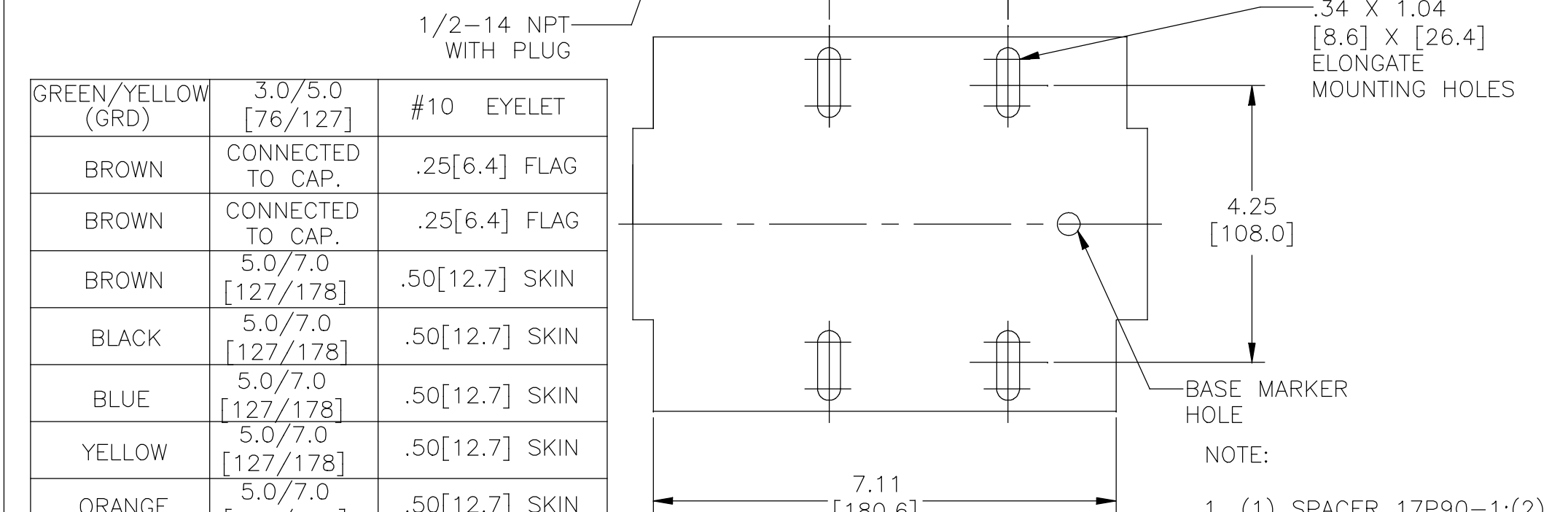
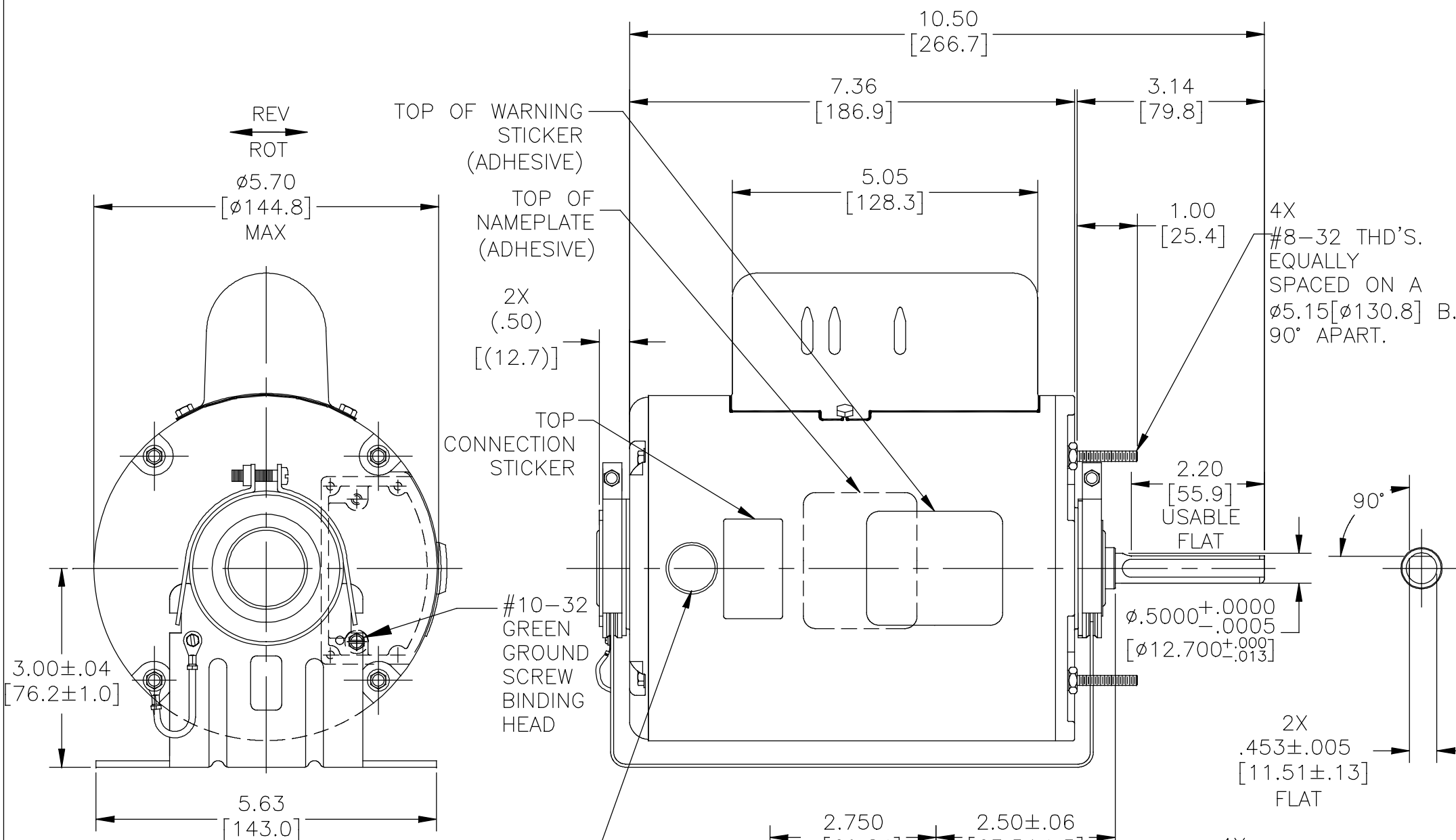
DRAWING REVISION G	REVISION BY JERRY CHAI	DATE 10-10-2018
ECO-0154221	APPROVED BY JERRY CHAI	DATE 10-10-2018
ECO DESCRIPTION SEE ECO		
<small>COPYRIGHT REGAL-BELOIT AMERICA, INC. ALL RIGHTS RESERVED. PROPRIETARY AND CONFIDENTIAL INFORMATION - THIS DOCUMENT IS THE PROPERTY OF REGAL-BELOIT AMERICA, INC. (OWNER) AND CONTAINS OWNER'S PROPRIETARY INFORMATION. ANY PERSON, CORPORATION OR OTHER FIRM RECEIVING IT IS DEEMED, BY RECEIVING IT, TO AGREE THAT IT, AND/OR ANY PART OF IT, SHALL NOT BE DISCLOSED TO ANY PERSON, CORPORATION OR OTHER ENTITY, DUPLICATED, AND/OR USED, EXCEPT AS EXPRESSLY APPROVED IN WRITING IN ADVANCE BY OWNER. THIS DOCUMENT SHALL BE RETURNED TO OWNER UPON REQUEST. IT MAY BE SUBJECT TO CERTAIN RESTRICTIONS UNDER APPLICABLE EXPORT CONTROL LAWS AND REGULATIONS.</small>		

MAIN FRAME - OLE	ENCLOSED
END FRAME - OLE	ENCLOSED
MAIN FRAME - LE	ENCLOSED
END FRAME - LE	ENCLOSED

ENCLOSURE

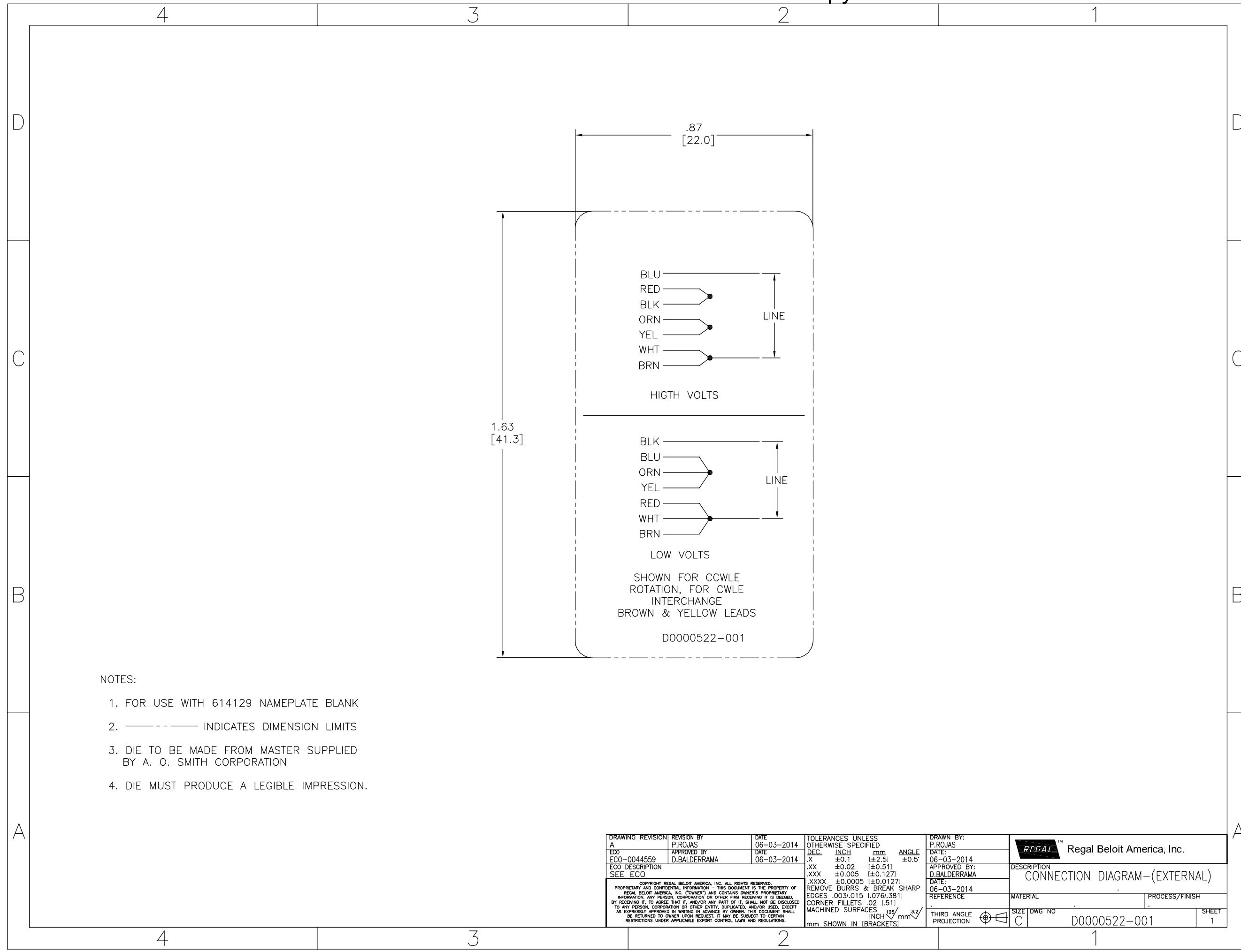
DRAWN BY: MEIYU HE
DATE: 08-16-2007
APPROVED BY: TR
DATE: 02-25-2008
REFERENCE
THIRD ANGLE PROJECTION

REGAL Regal Beloit America, Inc.	
DESCRIPTION MODEL-RFHP-48FR OUTLINE	
MATERIAL	PROCESS/FINISH
SIZE DWG NO C F48Z92A01	SHEET 1



- NOTE:**
- (1) SPACER 17P90-1;(2) NUTS 22PH8-D4;(2) WASHER 34P315-1;(1) KEY 35P8-4 TO BE PUT IN POLY BAG AND SHIPPED SEPARATE IN EACH CARTON WITH MOTOR.
 - MOTOR TO BE SHIPPED CONNECTER FOR CWLE ROTATION AND 115V.

CUSTOMER DIST.SERVICES



NOTES:

1. FOR USE WITH 614129 NAMEPLATE BLANK
2. ----- INDICATES DIMENSION LIMITS
3. DIE TO BE MADE FROM MASTER SUPPLIED BY A. O. SMITH CORPORATION
4. DIE MUST PRODUCE A LEGIBLE IMPRESSION.

DRAWING REVISION A	REVISION BY P.ROJAS	DATE 06-03-2014	TOLERANCES UNLESS OTHERWISE SPECIFIED DEC. INCH mm ANGLE .X ±0.1 [±2.5] ±0.5° .XX ±0.02 [±0.51] .XXX ±0.005 [±0.127] .XXXX ±0.0005 [±0.0127]	DRAWN BY: P.ROJAS	Regal Beloit America, Inc.	
ECO ECO-0044559	APPROVED BY D.BALDERRAMA	DATE 06-03-2014	REMOVE BURRS & BREAK SHARP EDGES .003/.015 [0.076/.381] CORNER FILLETS .02 [1.51] MACHINED SURFACES .125/3.2 mm SHOWN IN [BRACKETS]	DATE: 06-03-2014		DESCRIPTION CONNECTION DIAGRAM--(EXTERNAL)
ECO DESCRIPTION SEE ECO	<small>COPYRIGHT REGAL BELOIT AMERICA, INC. ALL RIGHTS RESERVED. PROPRIETARY AND CONFIDENTIAL INFORMATION - THIS DOCUMENT IS THE PROPERTY OF REGAL BELOIT AMERICA, INC. (OWNER) AND CONTAINS OWNER'S PROPRIETARY INFORMATION. ANY PERSON, CORPORATION OR OTHER FIRM RECEIVING IT IS DEEMED, BY RECEIVING IT, TO AGREE THAT IT, AND/OR ANY PART OF IT, SHALL NOT BE DISCLOSED TO ANY PERSON, CORPORATION OR OTHER ENTITY, DUPLICATED, AND/OR USED, EXCEPT AS EXPRESSLY APPROVED IN WRITING IN ADVANCE BY OWNER. THIS DOCUMENT SHALL BE RETURNED TO OWNER UPON REQUEST. IT MAY BE SUBJECT TO CERTAIN RESTRICTIONS UNDER APPLICABLE EXPORT CONTROL LAWS AND REGULATIONS.</small>			APPROVED BY: D.BALDERRAMA	MATERIAL	PROCESS/FINISH
				REFERENCE	SIZE DWG NO C D0000522-001	SHEET 1