

# PRODUCT INFORMATION PACKET



Model No: C024

Catalog No: C024

3/4 HP OEM Replacement (Except HVAC) Motor, 1 phase, 1200 RPM, 208-230 V, 56Y Frame, ODP  
General Purpose Motors



Regal and Century are trademarks of Regal Rexnord Corporation or one of its affiliated companies.  
©2021 Regal Rexnord Corporation, All Rights Reserved. MC017097E





**Nameplate Specifications**

Output HP	<b>3/4 Hp</b>	Output KW	<b>0.56 kW</b>
Frequency	<b>60 Hz</b>	Voltage	<b>208-230 V</b>
Current	<b>6.0 A</b>	Speed	<b>1075 rpm</b>
Service Factor	<b>1</b>	Phase	<b>1</b>
Duty	<b>Continuous</b>	Insulation Class	<b>B</b>
Frame	<b>K56Y</b>	Enclosure	<b>Open Drip Proof</b>
Thermal Protection	<b>Thermally Protected</b>	Ambient Temperature	<b>40 °C</b>
UL	<b>Recognized</b>	CSA	<b>Y</b>
CE	<b>N</b>	Number of Speeds	<b>1</b>

**Technical Specifications**

Electrical Type	<b>Permanent Split Capacitor, Single Or Dual Voltage</b>	Starting Method	<b>Across The Line</b>
Poles	<b>6</b>	Rotation	<b>Counterclockwise</b>
Mounting	<b>Cushion Base</b>	Drive End Bearing	<b>Ball</b>
Opp Drive End Bearing	<b>Ball</b>	Frame Material	<b>Rolled Steel</b>
Shaft Type	<b>Flat</b>	Overall Length	<b>24.70 in</b>
Frame Length	<b>5.50 in</b>	Shaft Diameter	<b>0.665 in</b>
Shaft Extension	<b>7.5 in</b>		
Connection Drawing	<b>18304020.PCX</b>	Outline Drawing	<b>17868201</b>

This is an uncontrolled document once printed or downloaded and is subject to change without notice. Date Created:10/07/2021

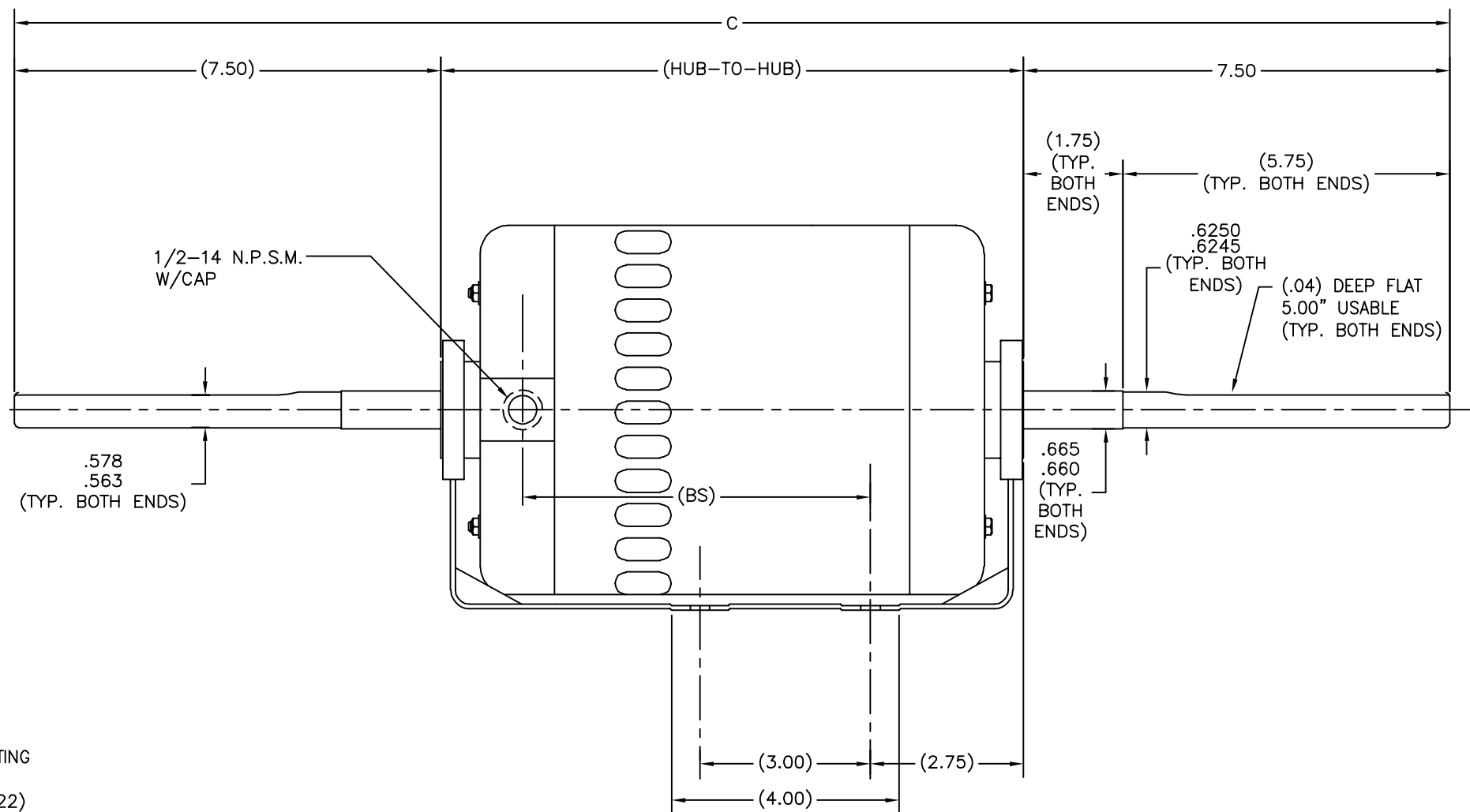
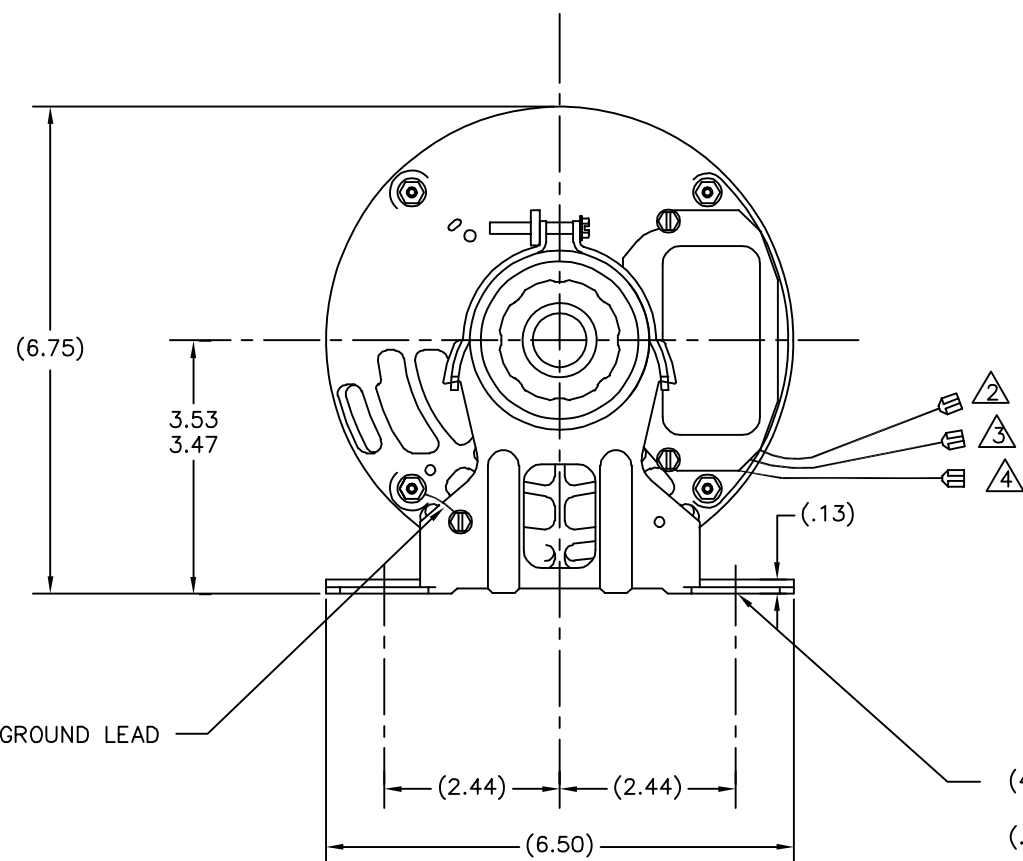




8	7	6			
GROUP	TYPE	FRAME	"C"	(BS)	(HUB-TO-HUB)
-01	CX	K56Z	24.70/24.30	5.37	9.50

REV	REFERENCE ECN	REFERENCE PROJECT	REV BY	DATE	APPD	DATE
F		01274601	morgue	11-15-2005	morgue	11-15-2005

- NOTES
- (1) ALL DIMENSIONS SHOWN IN PARENTHESIS ARE REFERENCE DIMENSIONS. ALL OTHER DIMENSIONS ARE TOLERANCED PER THE FOLLOWING CHART UNLESS OTHERWISE SPECIFIED.
    - "C" DIM. = +/- .055
    - SHAFT EXT. = +/- .034
    - LEAD LENGTHS = +/- 1.00
    - EXTENDED THRU-BOLTS = +/- .050
    - ANGULAR DIMS. = +/- 2 DEGS.
  - (2) LINE LEADS (RED, BLACK, AND BROWN) ARE TO BE 22.00" LONG + 2.00 - .00 FROM LEAD EXIT TO END OF TERMINALS.
  - (3) LINE LEADS ARE TO EXIT MOTOR VIA CORD HOLE NOTCH.
  - (4) LINE LEADS ARE TO BE TERMINATED WITH STRAIGHT ON FEMALE TYPE TERMINALS.



(4) MOUNTING SLOTS  
(.34 X 1.22)

GEOMETRIC CHARACTERISTICS & SYMBOLS □ FLATNESS — STRAIGHTNESS ∠ ANGULARITY ⊥ PERPENDICULARITY (SQUARENESS) // PARALLELISM R ROUNDNESS (CIRCULARITY) ⌀ CYLINDRICITY ≡ PROFILE OF ANY SURFACE ~ PROFILE OF ANY LINE † RUNOUT ⊕ TRUE POSITION ⊙ CONCENTRICITY ⊖ SYMMETRY	UNLESS OTHERWISE SPECIFIED DIM. TOLERANCES ARE AS FOLLOWS: INCH ±.1 ±.02 ±.005 ±.0005 mm ±0.5 ±0.13 ±0.013 ANG. ±.50 DEG REMOVE BURRS & BREAK SHARP EDGES: INCH .003-.015 mm 0.1-0.4 CORNER FILLETS TO: INCH .020 mm 0.5 MACHINE SURFACES: INCH 125 mm 3.2 METRIC DIMS. SHOWN IN [BRACKETS]	DR BY: HEU	01/17/1990	A.O. SMITH ELECTRICAL PRODUCTS COMPANY TIPP CITY, OHIO A DIVISION OF A. O. SMITH CORPORATION COPYRIGHT 1990
		APPD: MH	01-25-1990	
THIRD ANGLE PROJECTION		CONFIDENTIAL: THIS DRAWING AND ITS INFORMATION ARE THE EXCLUSIVE AND CONFIDENTIAL PROPERTY OF A.O. SMITH CORP. AND ARE NOT TO BE DISCLOSED, DUPLICATED, DISTRIBUTED OR OTHERWISE USED WITHOUT THE WRITTEN CONSENT OF A.O. SMITH CORP. -ALL RIGHTS RESERVED.		DESCRIPTION OPEN/ENCL CUSHION BASELL
SIZE D		DWG NO 178682		SCALE NONE
				SHEET 1