

PRODUCT INFORMATION PACKET



Model No: BL6424
Catalog No: BL6424
1/8-1/11 HP Fan & Blower Motor, 1050 RPM, 2 Speed, 115 Volts, 42 Frame, OAO
Fan and Blower Motors



Regal and Century are trademarks of Regal Rexnord Corporation or one of its affiliated companies.
©2021 Regal Rexnord Corporation, All Rights Reserved. MC017097E





Nameplate Specifications

Output HP	1/8,1/11 Hp	Output KW	0.10 kW
Frequency	60 Hz	Voltage	115 V
Current	5.0 A	Speed	1050 rpm
Service Factor	1	Phase	1
Duty	Air Over	Insulation Class	B
Frame	42Y	Enclosure	Open Air Over
Thermal Protection	Automatic	Ambient Temperature	40 °C
UL	Recognized	CSA	Y
CE	N	Number of Speeds	2

Technical Specifications

Electrical Type	Shaded Pole	Starting Method	Across The Line
Poles	6	Rotation	Counterclockwise Lead End
Mounting	Extended Studs	Motor Orientation	Horizontal
Drive End Bearing	Sleeve	Opp Drive End Bearing	Sleeve
Frame Material	N/A	Shaft Type	Flat
Overall Length	7.67 in	Shaft Diameter	0.500 in
Shaft Extension	4.1 in		
Connection Drawing	1022B34F03	Outline Drawing	326P154-OL

This is an uncontrolled document once printed or downloaded and is subject to change without notice. Date Created:10/07/2021

4

3

2

1

REV	ECO	REV BY	DATE	APPD	DATE
E	0026399	J.AGUILERA	05-28-2012	R.RASCON	05-28-2012

GENERAL INFORMATION:

SHAFT RUNOUT: .001[.03] T.I.R. PER INCH LENGTH OF EXTENSION.

END PLAY: .010[.25] TO .063[1.60]

BEARINGS: SLEEVE

MOUNTING POSITION: HORIZONTAL

ELECTRICAL DATA:

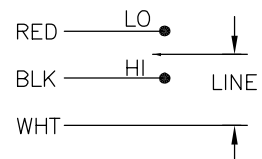
OVERLOAD PROTECTOR: AUTOMATIC RESET (T.I. 7AM 304)

LEADS: NO.18 GA. .06[1.5] THICK, 125°C INSUL.

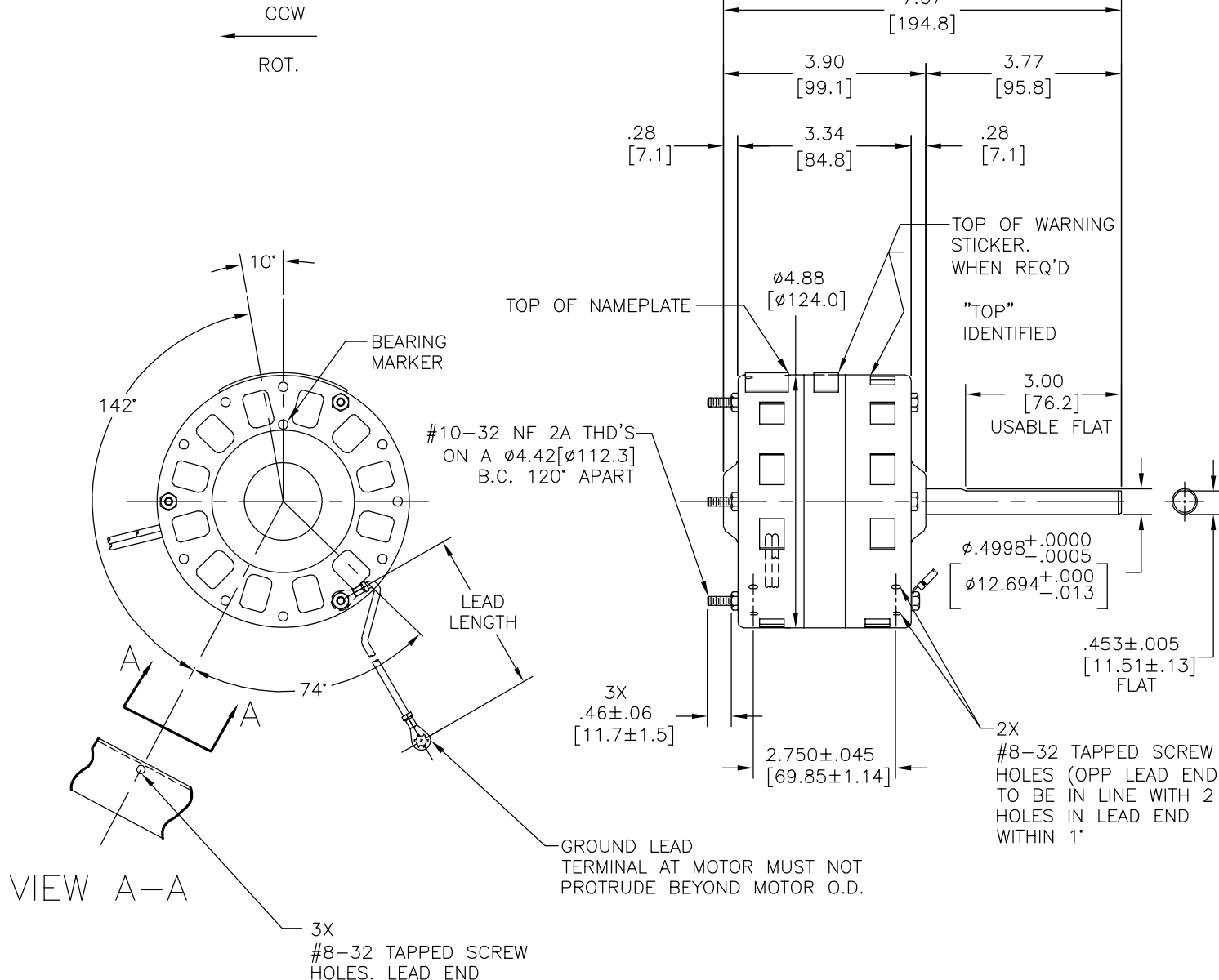
GROUND LEAD: NO.18 GA. .03[.8] THICK, GREEN INSUL.

NAMEPLATE DATA: EXTERNAL CONNECTION DIAGRAM

MODEL NO.: 326P154
 CUST. P/N: BL6424
 HP: 1/8 , 1/11
 ROT.: CCWLE
 RPM: 1050/2 SPD.
 TYPE: FE
 FRAME: 42Y
 VOLTS: 115
 PH: 1
 AMPS: 5.0
 HZ: 60
 INS.: B
 AMB.: 40° C
 DUTY: AIR OVER
 CAP.: -
 ENCL: -
 UL LOGO
 CSA LOGO
 THERMALLY PROTECTED TYPE C



PERFORMANCE CURVE NO.	TORQUE @1050 RPM (50°C)	APPROVED SAMPLE	UL COMPONENT		CSA	
			FILE #	CCN #	FILE #	CLASS #
C30182	8.4 OZ. FT.	A7008A	E46412	PRGY2	LR43341	4211-01



GREEN	7.0/9.0 [178/229]	#10 EYELET
RED	27.0/29.0 [686/737]	.60[15.2] SKIN
BLACK	27.0/29.0 [686/737]	.60[15.2] SKIN
WHITE	27.0/29.0 [686/737]	.60[15.2] SKIN
COLOR	LENGTH	TERMINAL OR STRIP LENGTH

MAIN FRAME - OLE	OPEN
END FRAME - OLE	OPEN
MAIN FRAME - LE	OPEN
END FRAME - LE	OPEN

CUSTOMER	AMMO
----------	------

GEOMETRIC CHARACTERISTICS & SYMBOLS
 □ FLATNESS
 - STRAIGHTNESS
 < ANGULARITY
 ⊥ PERPENDICULARITY (SQUARENESS)
 // PARALLELISM
 ○ ROUNDNESS (CIRCULARITY)
 ∅ CYLINDRICITY
 △ PROFILE OF ANY SURFACE
 ∩ PROFILE OF ANY LINE
 ↑ RUNOUT
 ⊕ TRUE POSITION
 ⊙ CONCENTRICITY
 = SYMMETRY
 ASME Y14.5M 1994

REGAL-BELOIT CORPORATION (RBC) PROVIDES TECHNICAL ASSISTANCE TO OUR CUSTOMERS IN SEVERAL AREAS. SINCE RBC DOES NOT RECEIVE ALL DATA CONCERNING THE USE AND APPLICATION OF THE MOTOR, THE SUITABILITY OF THE MOTOR FOR THE APPLICATION MUST BE DETERMINED BY THE CUSTOMER.
 DIMENSIONS WITHOUT TOLERANCES ARE FOR REFERENCE ONLY.

DR BY: BRADEN 01-19-1988
 APPD: B.ISOM
 THIRD ANGLE PROJECTION
 EDS DATE 11-11-2011
 FORMAT REV H
 CONFIDENTIAL: THIS DRAWING AND ITS INFORMATION ARE THE EXCLUSIVE AND CONFIDENTIAL PROPERTY OF REGAL-BELOIT CORPORATION AND ARE NOT TO BE DISCLOSED, DUPLICATED, DISTRIBUTED OR OTHERWISE USED WITHOUT THE WRITTEN CONSENT OF REGAL-BELOIT CORPORATION. -ALL RIGHTS RESERVED.

REGAL REGAL-BELOIT CORPORATION
 DESCRIPTION: MODEL-RFHP-42FR OUTLINE
 SIZE: C DWG NO: 326P154-0L
 SCALE: NONE SHEET: 1

4

3

2

1

4

3

2

1

REVISION:	ECO	REVISADO POR:	FECHA:	APROBADO POR:	FECHA:
E	0026399	J.AGUILERA	05-28-2012	R.RASCON	05-28-2012

INFORMACION GENERAL:

- OSCILACION DE FLECHA: -
- JUEGO AXIAL: -
- BALEROS: -
- POSICION DEL MONTAJE: -

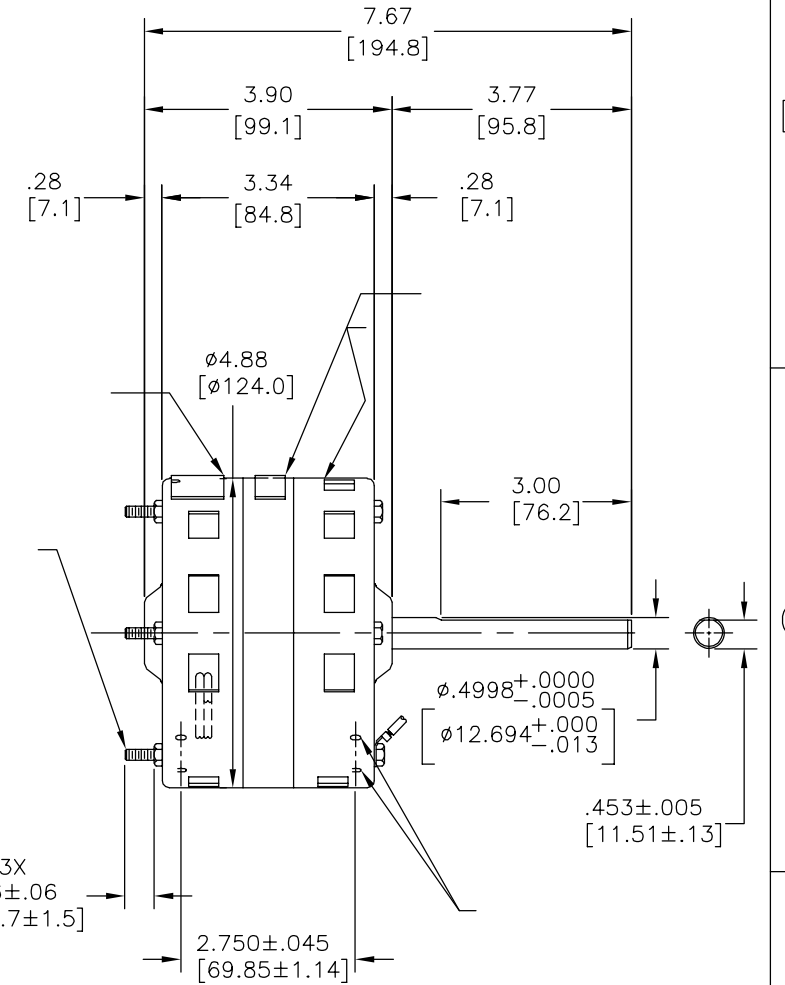
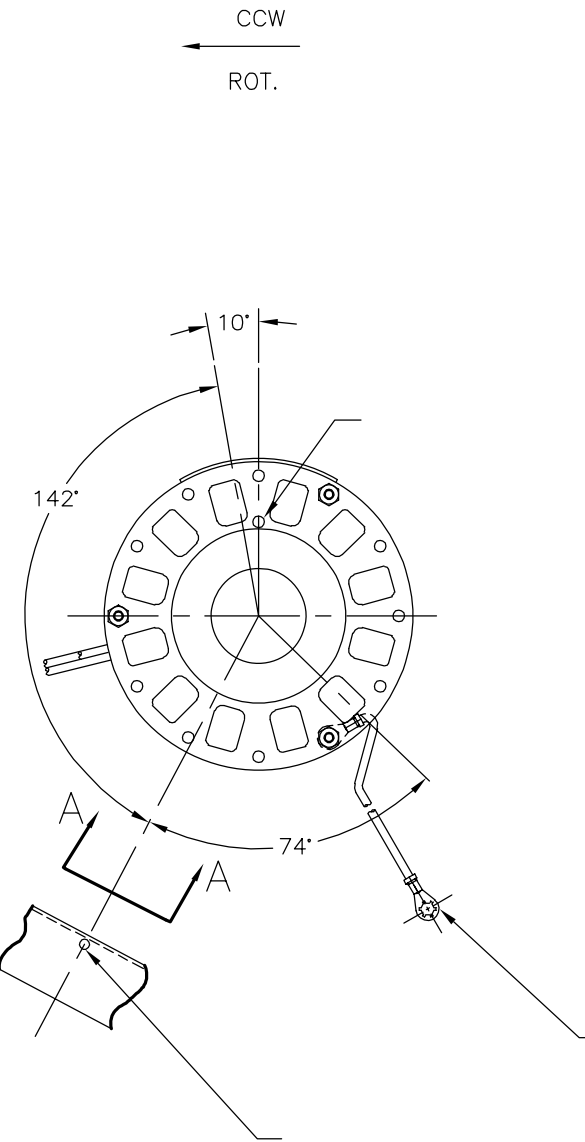
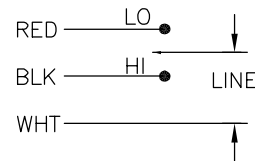
INFORMACION ELECTRICA:

- PROTECTOR DE SOBRECARGA: -
- CABLES: -
- CABLE DE TIERRA: -

INFORMACION DE ETIQUETA:

DIAGRAMA DE CONEXION EXTRNA

MODEL NO.: 326P154
 CUST. P/N: BL6424
 HP: 1/8 , 1/11
 ROT.: CCWLE
 RPM: 1050/2 SPD.
 TYPE: FE
 FRAME: 42Y
 VOLTS: 115
 PH: 1
 AMPS: 5.0
 HZ: 60
 INS.: B
 AMB.: 40° C
 DUTY: AIR OVER
 CAP.: -
 ENCL: -
 UL LOGO
 CSA LOGO
 THERMALLY PROTECTED TYPE C



-	7.0/9.0 [178/229]	-
-	27.0/29.0 [686/737]	-
-	27.0/29.0 [686/737]	-
-	27.0/29.0 [686/737]	-

COLOR	LONGITUD	TERMINAL O LONGITUD DE DESFORRE
-------	----------	---------------------------------

CARCASA - LOC	-
TAPA - LOC	-
CARCASA - LC	-
TAPA - LC	-

CLIENTE	AMMO
---------	------

CURVAS DE FUNCIONAMIENTO	TORSION @1050 RPM (50°C)	MUESTRA APROBADA	COMPONENTE UL	CSA
C30182	8.4 OZ. FT.	A7008A	#ARCHIVO CCN #	#ARCHIVO CLASE #
			E46412 PRGY2	LR43341 4211-01

CARACTERISTICAS DE GEOMETRIA Y SIMBOLOS
 □ PLANICIDAD
 - RECTITUD
 < ANGULARIDAD
 ⊥ PERPENDICULARIDAD (A ESCUADRA)
 // PARALELISMO
 ○ REDONDEZ (CIRCULARIDAD)
 ∅ CILINDRICIDAD
 △ PERFIL DE CUALQUIER SUPERFICIE
 ∇ PERFIL DE CUALQUIER LINEA
 ↗ VARIACION
 ⊕ POSICION REAL
 ⊙ CONCENTRICIDAD
 = SIMETRIA
 ASME Y14.5M 1994

REGAL-BELOIT CORPORATION (RBC) PROVEE ASISTENCIA TECNICA A NUESTROS CLIENTES EN VARIAS AREAS, DESDE QUE RBC NO RECIBE TODOS LOS DATOS EN RELACION AL USO Y A LA APLICACION DEL MOTOR, LA APLICACION ADECUADA DEL MOTOR DEBE SER DETERMINADA POR EL CLIENTE.
 DIMENSIONES SIN TOLERANCIA SON DE REFERENCIA SOLAMENTE

DIBUJADO POR: BRADEN 01-19-1988
 APROBADO POR: B.ISOM
 TERCER ANGULO DE PROYECCION
 FECHA EDS: 11-11-2011
 REV. FORMATO: H
 CONFIDENCIAL: ESTE DIBUJO Y SU INFORMACION SON PROPIEDAD DE USO EXCLUSIVO Y CONFIDENCIAL DE REGAL-BELOIT CORPORATION. Y NO DEBERAN SER REVELADOS, DUPLICADOS, DISTRIBUIDOS O USARSE DE OTRA MANERA SIN EL CONSENTIMIENTO ESCRITO DE REGAL-BELOIT CORPORATION. -TODOS LOS DERECHOS RESERVADOS.

REGAL REGAL-BELOIT CORPORATION
 DESCRIPCION: MODEL-RFHP-42FR OUTLINE
 TAMAÑO: C NUMERO DE DIBUJO: 326P154-0L
 ESCALA: NONE HOJA: 1

4

3

2

1

4 3 2 1

版本	ECO	编制	日期	批准	日期
E	0026399	J.AGUILERA	05-28-2012	R.RASCON	05-28-2012

总技术要求: _____

轴跳动: _____

端部窜动量 _____

轴承: _____

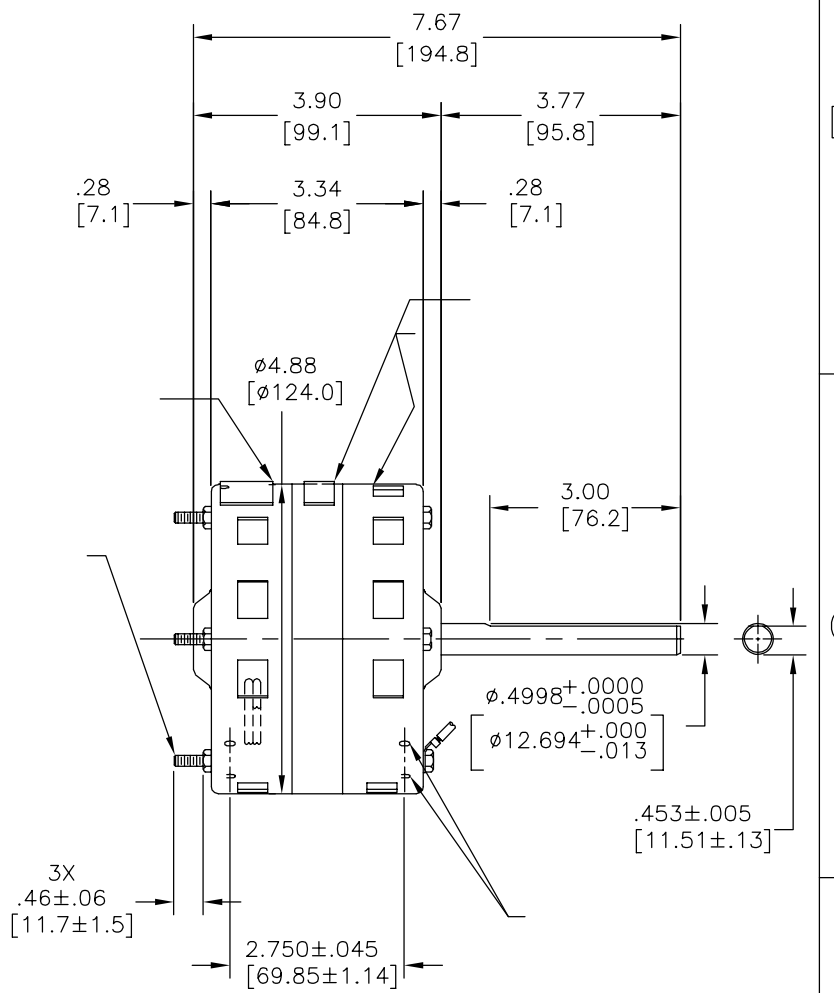
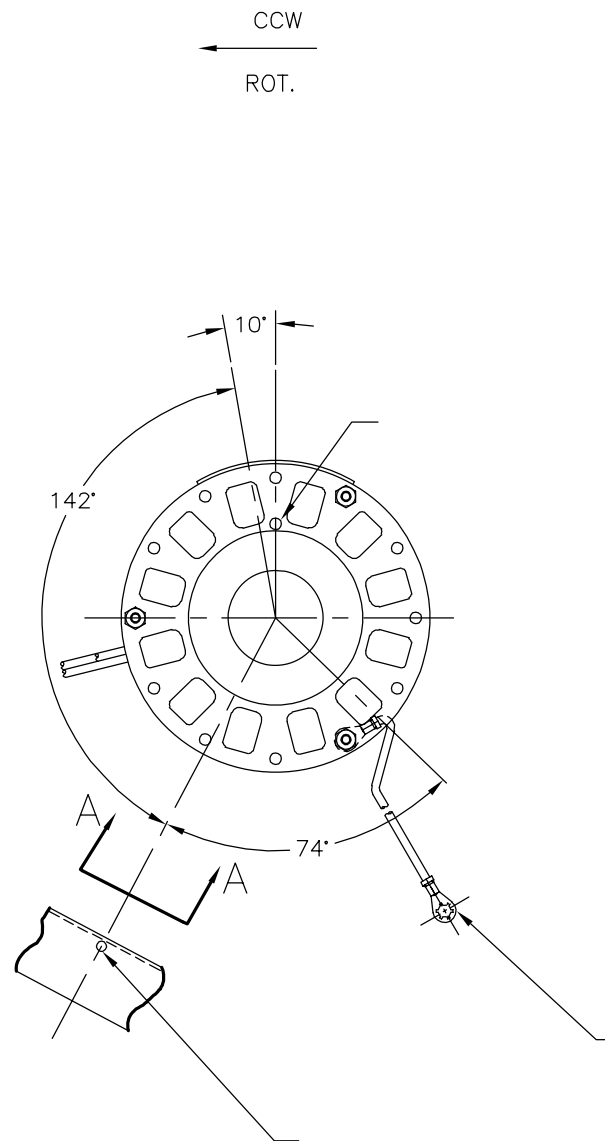
安装位置: _____

电气数据: _____

过载保护: _____

引线: _____

接地线: _____



铭牌数据	外部数据线
MODEL NO.: 326P154 CUST. P/N: BL6424 HP: 1/8, 1/11 ROT.: CCWLE RPM: 1050/2 SPD. TYPE: FE FRAME: 42Y VOLTS: 115 PH: 1 AMPS: 5.0 HZ: 60 INS.: B AMB.: 40° C DUTY: AIR OVER CAP.: - ENCL: - UL LOGO CSA LOGO THERMALLY PROTECTED TYPE C	

	7.0/9.0	
	[178/229]	
	27.0/29.0	
	[686/737]	
	27.0/29.0	
	[686/737]	
	27.0/29.0	
	[686/737]	
颜色	长度	端子或剥线长度

无引线端机壳	
无引线端端盖	
有引线端机壳	
有引线端端盖	

性能曲线编号	转矩在 @ RPM (25° C)	批准样品	UL部件		CSA	
C30182	8.4 OZ. FT.	A7008A	文件号	指南	文件号	指南
			E46412	PRGY2	LR43341	4211-01

- 形位公差
- 平面度
- 直线度
- ∠ 倾斜度
- ⊥ 垂直度
- // 平行度
- 圆度
- ⊘ 圆柱度
- △ 面轮廓度
- ⌒ 线轮廓度
- ↗ 圆跳动
- ⊕ 位置度
- ⊙ 同轴度
- ≡ 对称度

ASME Y14.5M 1994

REGAL-BELOIT CORPORATION (RBC) 在个别领域为客户提供技术支持。鉴于RBC未收到任何涉及电机使用和应用环境的数据，电机的适用性由客户自己决定。

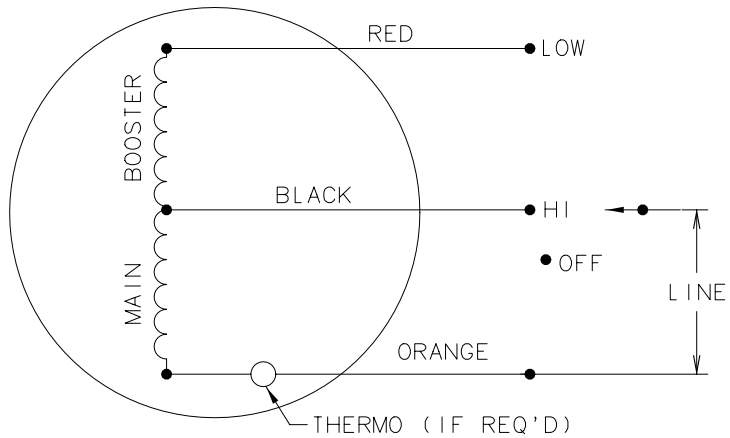
未注公差尺寸仅供参考。

绘图:	BRADEN	01-19-1988
批准:	B.ISOM	
第三角投影		图纸格式发布日期 11-11-2011 图纸格式版本 H
机密: 本图纸及相关信息所有权归REGAL-BELOIT CORPORATION。未经REGAL-BELOIT CORPORATION书面授权, 不得泄露、复制、传播或作其他用途。一版权所有		

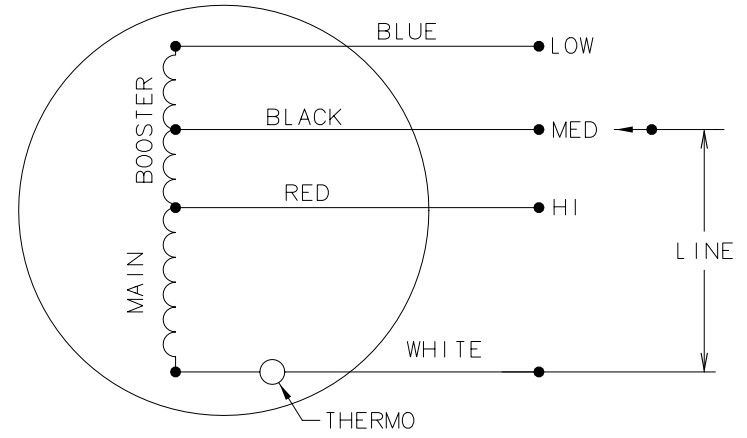
		REGAL-BELOIT CORPORATION	
名称			
MODEL-RFHP-42FR		OUTLINE	
图幅	C	图号	326P154-0L
比例	NONE	页号	1

4 3 2 1

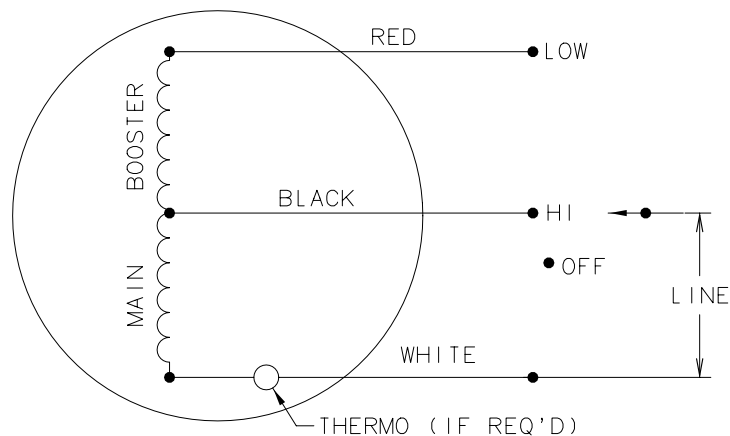
1022B34



2 SPEED, FIG. 1



3 SPEED, FIG. 2



2 SPEED, FIG. 3

QUALITY CONTROL NOTE:
TO CHECK THE WDGS. FOR OPENS, VERIFY
THE CONTINUITY AS FOLLOWS:

FIG. 1--BETWEEN THE RED & ORANGE LEADS

FIG. 2--BETWEEN THE WHITE & BLUE LEADS

FIG. 3--BETWEEN THE RED & WHITE LEADS

DATE	CHANGED FROM	APPROVED ENG/DRF	NOTICE	DATE	CHANGED FROM	APPROVED ENG/DRF	NOTICE	GEOMETRIC CHARACTERISTICS & SYMBOLS	UNLESS OTHERWISE SPECIFIED DIMENSION TOLERANCES ARE AS FOLLOWS	MATERIAL	DRAWN	STOKES 06/23/81	A DIVISION OF A.O. SMITH CORPORATION ELECTRICAL PRODUCTS COMPANY TIPP CITY, OHIO COPYRIGHT 1995	
				07/09/03	REDRAWN TO CAD		KAKKAG	□ FLATNESS — STRAIGHTNESS < ANGULARITY ⊥ PERPENDICULARITY (SQUARENESS) // PARALLELISM ○ ROUNDNESS (CIRCULARITY) ∅ CYLINDRICITY ⊖ PROFILE OF ANY SURFACE ⊖ PROFILE OF ANY LINE ∞ RUNOUT ⊕ TRUE POSITION ⊙ CONCENTRICITY = SYMMETRY	INCHES .XX .XXX .02 ±.005 METRIC ±.5 ±.13 ANGLES ±.50 DEG REMOVE BURRS AND BREAK SHARP EDGES .003-.015 CORNER FILLETS TO .020 MACHINE SURFACES 125 ✓	-	APPROVED	CORBIN 60/30/81		DESCRIPTION
										PROCESS	REFERENCE	-	CONN. DIAGRAM SIZE B	
											APPLICATION	-	PART NUMBER	
											USER/FILIER42/CONEXT	SCALE	NOTICE	SHEET 1