

PRODUCT INFORMATION PACKET



Model No: BL6420
Catalog No: BL6420
1/6-1/9 HP Fan & Blower Motor, 1050 RPM, 2 Speed, 115 Volts, 42 Frame, OAO
Direct Drive Motors



Regal and Century are trademarks of Regal Beloit Corporation or one of its affiliated companies.
©2020 Regal Beloit Corporation, All Rights Reserved. MC017097E





Nameplate Specifications

Output HP	1/6,1/9 Hp	Output KW	0.13 kW
Frequency	60 Hz	Voltage	115 V
Current	5.6 A	Speed	1050 rpm
Service Factor	1	Phase	1
Duty	Air Over	Insulation Class	B
Frame	42Y	Enclosure	Open Air Over
Thermal Protection	Automatic	Ambient Temperature	40 °C
UL	Recognized	CSA	Y
CE	N		

Technical Specifications

Electrical Type	Shaded Pole	Starting Method	Across The Line
Poles	6	Rotation	Counterclockwise Lead End
Mounting	Resilient Rings	Motor Orientation	Horizontal
Drive End Bearing	Sleeve	Opp Drive End Bearing	Sleeve
Frame Material	Rolled Steel	Shaft Type	Flat
Overall Length	8.25 in	Shaft Diameter	0.500 in
Shaft Extension	4.4 in		
Outline Drawing	326P148-OL	Connection Drawing	1022B34F03

This is an uncontrolled document once printed or downloaded and is subject to change without notice. Date Created:27/05/2020

REV	ECO	REV BY	DATE	APPD	DATE
E	0026399	JAGUILERA	05-28-2012	R.RASCON	05-28-2012

GENERAL INFORMATION:

SHAFT RUNOUT: .001[.03] T.I.R. PER INCH LENGTH OF EXTENSION.

END PLAY: .010[.25] TO .063[1.60]

BEARINGS: SLEEVE

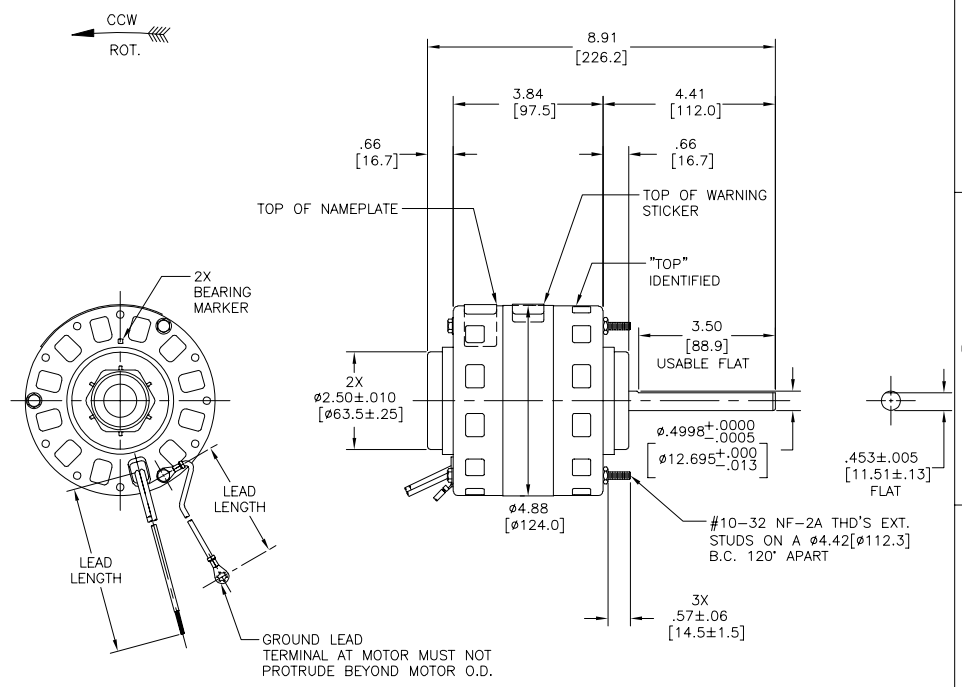
MOUNTING POSITION: HORIZONTAL

ELECTRICAL DATA:

OVERLOAD PROTECTOR: AUTOMATIC RESET (T.I. 7AM 304)

LEADS: NO.18 GA. .06[1.5] THICK, 125°C INSUL.

GROUND LEAD: NO.18 GA. .03[.8] THICK, GREEN INSUL.



NAMEPLATE DATA:	EXTERNAL CONNECTION DIAGRAM
MODEL NO.: 326P148 CUST. P/N: BL6420 HP: 1/6, 1/9 ROT.: CCWLE RPM: 1050/2 SPD. TYPE: FE FRAME: 42Y VOLTS: 115 PH: 1 AMPS: 5.6 HZ: 60 NS.: B AMB.: 40° C DUTY: AIR COVER CAP.: - ENCL.: - UL LOGO CSA LOGO THERMALLY PROTECTED TYPE C	

GREEN (GRD)	5.5/6.5 [140/165]	#10 EYELET
RED	23.0/25.0 [584/635]	.50[12.7] SKIN
BLACK	23.0/25.0 [584/635]	.50[12.7] SKIN
WHITE	23.0/25.0 [584/635]	.50[12.7] SKIN
COLOR	LENGTH	TERMINAL OR STRIP LENGTH

MAIN FRAME - OLE	OPEN
END FRAME - OLE	OPEN
MAIN FRAME - LE	OPEN
END FRAME - LE	OPEN

CUSTOMER ENCLOSURE DISTRIBUTION SERVICE

PERFORMANCE CURVE NO.	TORQUE @1050 RPM (25°C)	APPROVED SAMPLE	UL COMPONENT FILE #	CCN #	CSA FILE #	CLASS #
C30177	16.0 OZ. FT.	PSE7724B	E46412	PRGY2	LR43341	4211-01

GEOMETRIC CHARACTERISTICS & SYMBOLS

- FLATNESS
- STRAIGHTNESS
- ANGULARITY
- PERPENDICULARITY (SQUARENESS)
- PARALLELISM
- ROUNDNESS (CIRCULARITY)
- CYLINDRICITY
- PROFILE OF ANY SURFACE
- PROFILE OF ANY LINE
- RUNOUT
- TRUE POSITION
- CONCENTRICITY
- SYMMETRY

ASME Y14.5M 1994

REGAL-BELOIT CORPORATION (RBC) PROVIDES TECHNICAL ASSISTANCE TO OUR CUSTOMERS IN SEVERAL AREAS. SINCE RBC DOES NOT RECEIVE ALL DATA CONCERNING THE USE AND APPLICATION OF THE MOTOR, THE SUITABILITY OF THE MOTOR FOR THE APPLICATION MUST BE DETERMINED BY THE CUSTOMER.

DIMENSIONS WITHOUT TOLERANCES ARE FOR REFERENCE ONLY.

DR BY: J.RUPERT 06-29-1992

APPD: M.M.F.

THIRD ANGLE PROJECTION

EDS DATE 11-11-2011
FORMAT REV H

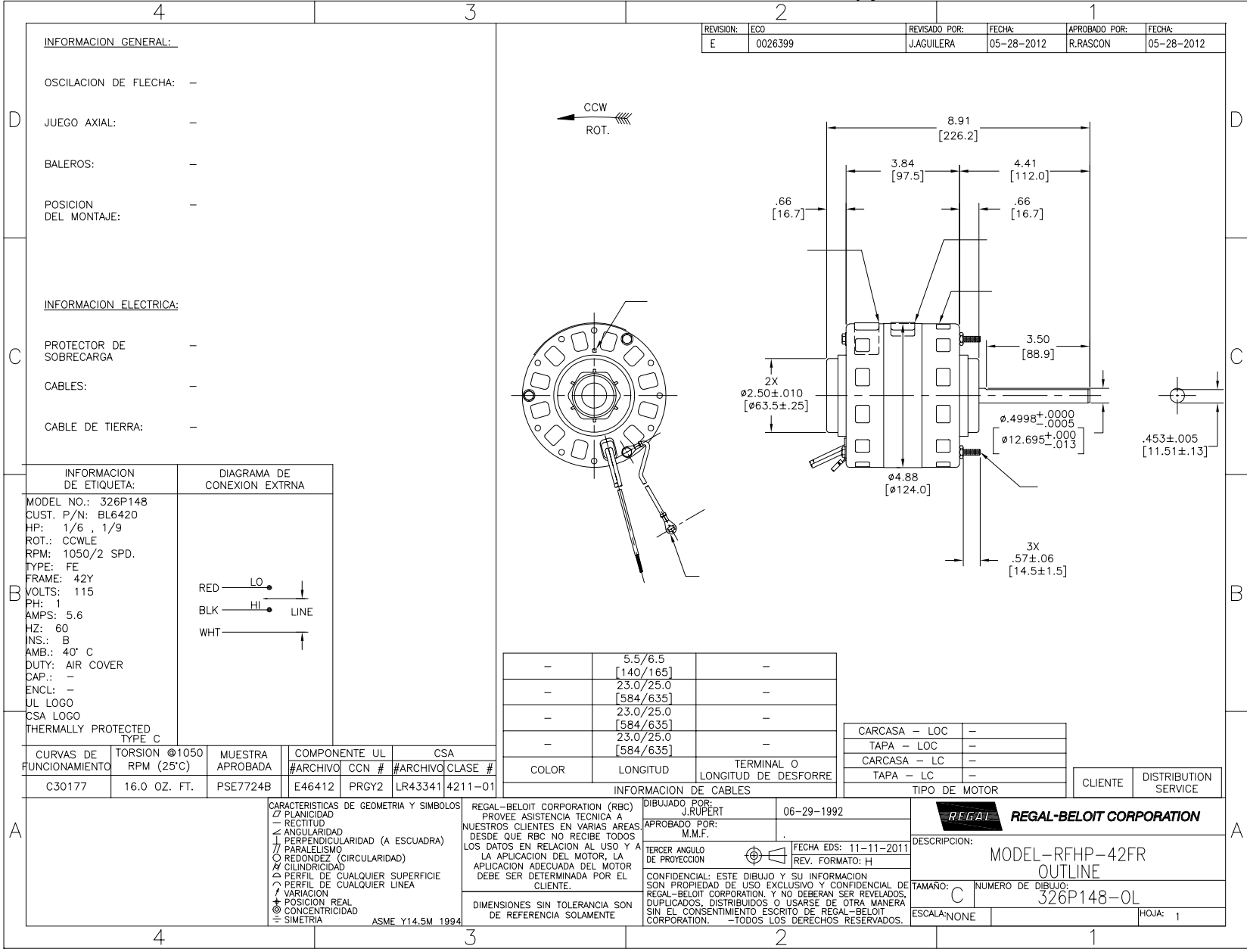
CONFIDENTIAL: THIS DRAWING AND ITS INFORMATION ARE THE EXCLUSIVE AND CONFIDENTIAL PROPERTY OF REGAL-BELOIT CORPORATION AND ARE NOT TO BE DISCLOSED, DUPLICATED, DISTRIBUTED OR OTHERWISE USED WITHOUT THE WRITTEN CONSENT OF REGAL-BELOIT CORPORATION. -ALL RIGHTS RESERVED.

REGAL-BELOIT CORPORATION

DESCRIPTION: MODEL-RFHP-42FR OUTLINE

SIZE C DWG NO 326P148-0L

SCALE NONE SHEET 1



INFORMACION GENERAL:

OSCILACION DE FLECHA: -

JUEGO AXIAL: -

BALEROS: -

POSICION DEL MONTAJE: -

INFORMACION ELECTRICICA:

PROTECTOR DE SOBRECARGA -

CABLES: -

CABLE DE TIERRA: -

INFORMACION DE ETIQUETA:	DIAGRAMA DE CONEXION EXTRA
MODEL NO.: 326P148 CUST. P/N: BL6420 HP: 1/6 , 1/9 ROT.: CCWLE RPM: 1050/2 SPD. TYPE: FE FRAME: 42Y VOLTS: 115 PH: 1 AMPS: 5.6 HZ: 60 NS.: B AMB.: 40° C DUTY: AIR COVER CAP.: - ENCL: - UL LOGO CSA LOGO THERMALLY PROTECTED TYPE C	<pre> RED --- LO BLK --- HI WHT --- LINE </pre>

-	5.5/6.5 [140/165]	-
-	23.0/25.0 [584/635]	-
-	23.0/25.0 [584/635]	-
-	23.0/25.0 [584/635]	-
-	23.0/25.0 [584/635]	-

CARCASA - LOC	-
TAPA - LOC	-
CARCASA - LC	-
TAPA - LC	-

TIPO DE MOTOR	CLIENTE	DISTRIBUTION SERVICE

CURVAS DE FUNCIONAMIENTO	TORSION @1050 RPM (25°C)	MUESTRA APROBADA	COMPONENTE UL	CSA
C30177	16.0 OZ. FT.	PSE7724B	#ARCHIVO CCN #	#ARCHIVO CLASE #
			LR43341	4211-01

REGAL-BELOIT CORPORATION (RBC) PROVEE ASISTENCIA TECNICA A NUESTROS CLIENTES EN VARIAS AREAS. DESDE QUE RBC NO RECIBE TODOS LOS DATOS EN RELACION AL USO Y LA APLICACION DEL MOTOR, LA APLICACION ADECUADA DEL MOTOR DEBE SER DETERMINADA POR EL CLIENTE.

DIMENSIONES SIN TOLERANCIA SON DE REFERENCIA SOLAMENTE

ASME Y14.5M 1994

DIBUJADO POR: J.RUPERT 06-29-1992

APROBADO POR: M.M.F.

TERCER ANGULO DE PROYECCION

FECHA EDS: 11-11-2011

REV. FORMATO: H

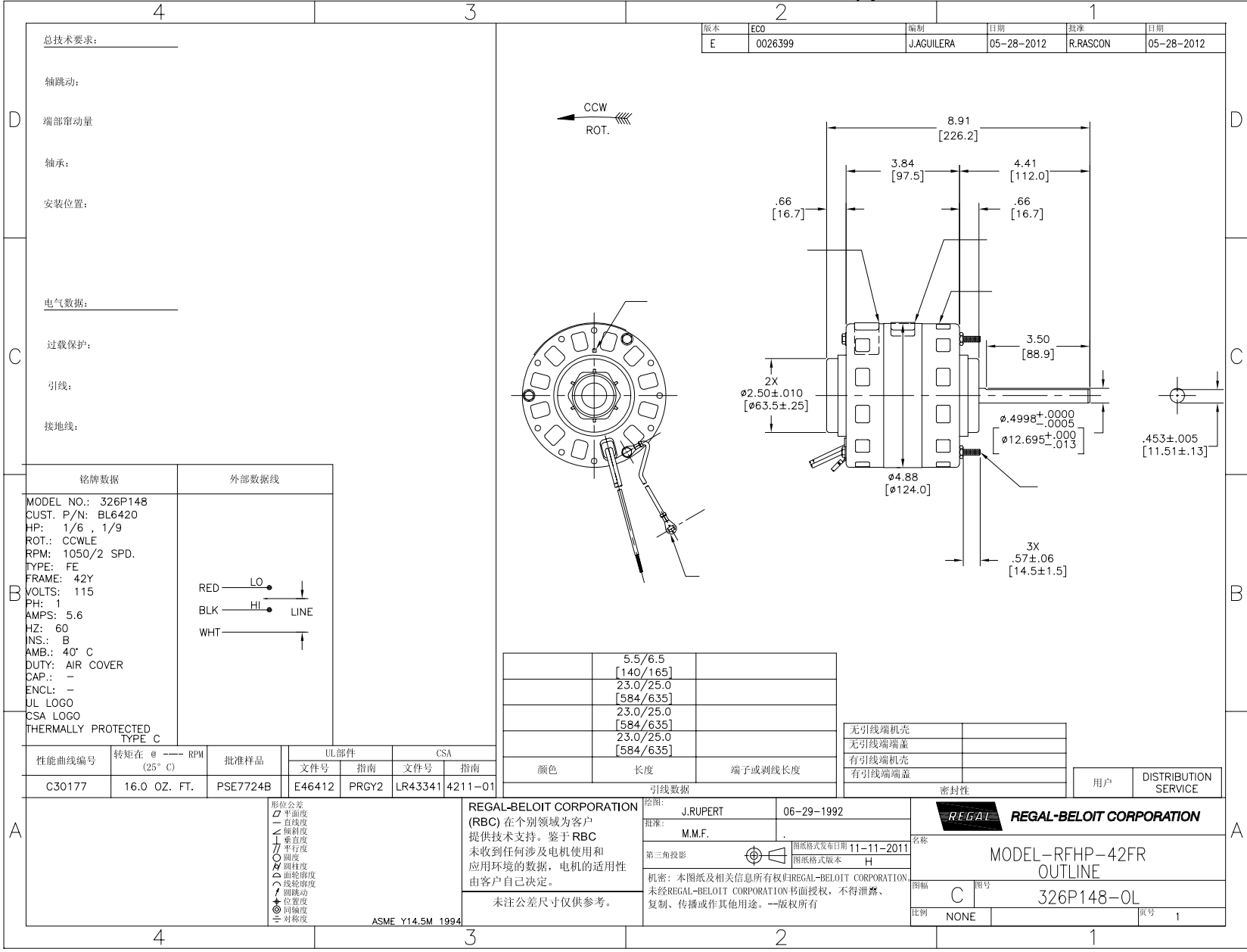
CONFIDENCIAL: ESTE DIBUJO Y SU INFORMACION SON PROPIEDAD DE USO EXCLUSIVO Y CONFIDENCIAL DE REGAL-BELOIT CORPORATION. Y NO DEBERAN SER REVELADOS, Duplicados, DISTRIBUIDOS O USARSE DE OTRA MANERA SIN EL CONSENTIMIENTO ESCRITO DE REGAL-BELOIT CORPORATION. -TODOS LOS DERECHOS RESERVADOS.

REGAL-BELOIT CORPORATION

DESCRIPCION: MODEL-RFHP-42FR OUTLINE

TAMAÑO: C NUMERO DE DIBUJO: 326P148-0L

ESCALA: NONE HOJA: 1



总技术要求: _____

轴跳动: _____

端部窜动量: _____

轴承: _____

安装位置: _____

电气数据: _____

过载保护: _____

引线: _____

接地线: _____

版本	ECO	编制	日期	批准	日期
E	0026399	J.AGUILERA	05-28-2012	R.RASCON	05-28-2012

铭牌数据	外部数据线
MODEL NO.: 326P148 CUST. P/N: BL6420 HP: 1/6, 1/9 ROT.: CCWLE RPM: 1050/2 SPD. TYPE: FE FRAME: 42Y VOLTS: 115 PH: 1 AMPS: 5.6 HZ: 60 NS.: B AMB.: 40° C DUTY: AIR COVER CAP.: - ENCL.: - UL LOGO CSA LOGO THERMALLY PROTECTED TYPE C	RED — LO BLK — HI WHT — LINE

5.5/6.5	[140/165]	
23.0/25.0	[584/635]	
23.0/25.0	[584/635]	
23.0/25.0	[584/635]	
23.0/25.0	[584/635]	

性能曲线编号	转矩在 @ (25° C) RPM	批准样品	UL部件		CSA	
			文件号	指南	文件号	指南
C30177	16.0 OZ. FT.	PSE7724B	E46412	PRGY2	LR43341	4211-01

颜色	长度	端子或剥线长度

无引线端机壳	
无引线端盖	
有引线端机壳	
有引线端盖	

用户	DISTRIBUTION SERVICE
----	----------------------

形位公差 D 平面度 一 直线度 斜 倾斜度 垂 垂直度 上 平行度 同 同轴度 圆 圆度 圆 圆柱度 面 面轮廓度 线 线轮廓度 圆 圆跳动 位 位置度 同 同轴度 对 对称度	ASME Y14.5M 1994
---	------------------

REGAL-BELOIT CORPORATION (RBC) 在个别领域为客户提供技术支持。鉴于 RBC 未收到任何涉及电机使用和应用环境的数据，电机的适用性由客户自己决定。

未注公差尺寸仅供参考。

第三角投影

除图: J.RUPERT 06-29-1992

批准: M.M.F.

图框格式发布日期 11-11-2011

图框格式版本 H

机密: 本图纸及相关信息所有权归 REGAL-BELOIT CORPORATION 未经 REGAL-BELOIT CORPORATION 书面授权，不得泄露、复制、传播或作其他用途。--版权所有

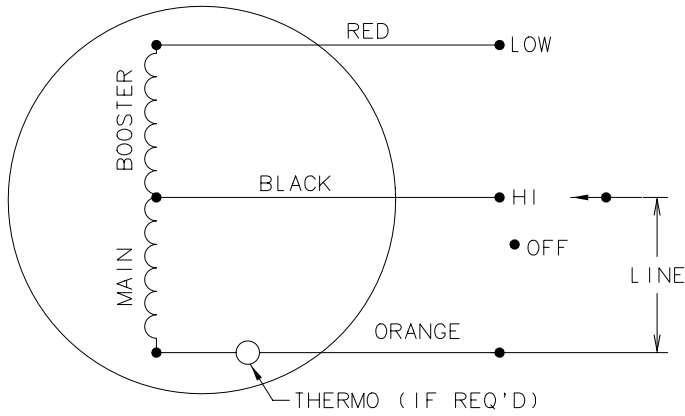
REGAL-BELOIT CORPORATION

名称: MODEL-RFHP-42FR OUTLINE

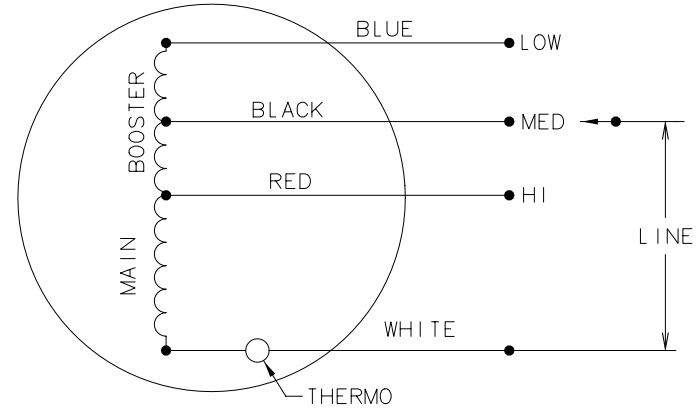
图框: C 图号: 326P148-0L

比例: NONE 页号: 1

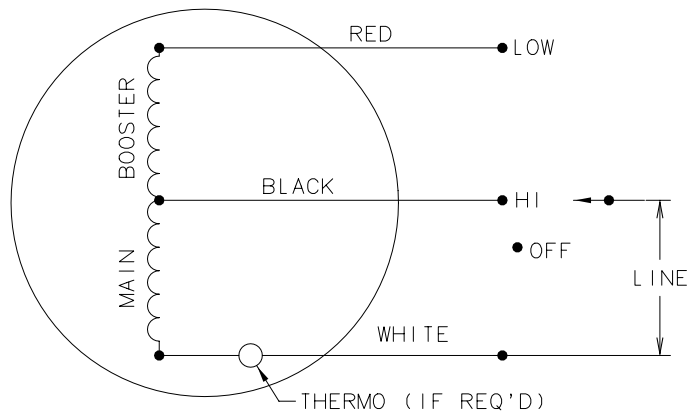
1022B34



2 SPEED, FIG. 1



3 SPEED, FIG. 2



2 SPEED, FIG. 3

QUALITY CONTROL NOTE:
TO CHECK THE WDGs. FOR OPENS, VERIFY
THE CONTINUITY AS FOLLOWS:

FIG. 1--BETWEEN THE RED & ORANGE LEADS

FIG. 2--BETWEEN THE WHITE & BLUE LEADS

FIG. 3--BETWEEN THE RED & WHITE LEADS

DATE	CHANGED FROM	APPROVED ENG DRF	NOTICE	DATE	CHANGED FROM	APPROVED ENG DRF	NOTICE
				07/09/03	REDRAWN TO CAD	KACKAG	0343946

GEOMETRIC CHARACTERISTICS & SYMBOLS
 □ FLATNESS
 — STRAIGHTNESS
 < ANGULARITY
 ⊥ PERPENDICULARITY (SQUARENESS)
 // PARALLELISM
 ○ ROUNDNESS (CIRCULARITY)
 ∅ CYLINDRICITY
 ▽ PROFILE OF ANY SURFACE
 ▽ PROFILE OF ANY LINE
 > RUNOUT

UNLESS OTHERWISE SPECIFIED
 DIMENSION TOLERANCES
 ARE AS FOLLOWS
 INCHES .X .XX .XXX
 ±.02 ±.005
 METRIC ±.5 ±.13
 ANGLES ±.50 DEG
 REMOVE BURRS AND BREAK
 SHARP EDGES .003-.015,
 CORNER FILLETS TO .020
 MACHINE SURFACES 125 ✓

MATERIAL -
 PROCESS -
 CONFIDENTIAL: THIS DRAWING AND ITS INFORMATION ARE
 THE EXCLUSIVE AND CONFIDENTIAL PROPERTY OF
 A.O. SMITH CORP. AND ARE NOT TO BE DISCLOSED,

DRAWN STOKES 06/23/81
 APPROVED CORBIN 60/30/81
 REFERENCE -
 APPLICATION -

A.O. SMITH A DIVISION OF A.O. SMITH CORPORATION
 ELECTRICAL PRODUCTS COMPANY
 TIPP CITY, OHIO
 DESCRIPTION
 CONN. DIAGRAM
 PART NUMBER
 1022B34