

PRODUCT INFORMATION PACKET

Model No: BL6412
Catalog No: BL6412
1/6 HP Fan & Blower Motor, 1050 RPM, 115 Volts, 42 Frame, OAO



Regal and are trademarks of Regal Rexnord Corporation or one of its affiliated companies.
©2022 Regal Rexnord Corporation, All Rights Reserved. MC017097E

Nameplate Specifications

Output HP	1/6 Hp	Output KW	0.13 kW
Frequency	60 Hz	Voltage	115 V
Current	5.5 A	Speed	1050 rpm
Service Factor	1	Phase	1
Duty	Air Over	Insulation Class	B
Frame	42Y	Enclosure	Open Air Over
Thermal Protection	Automatic	Ambient Temperature	40 °C
UL	Recognized	CSA	Y
CE	N	Number of Speeds	1

Technical Specifications

Electrical Type	Shaded Pole	Starting Method	Across The Line
Poles	6	Rotation	Counterclockwise Lead End
Mounting	Resilient Rings	Motor Orientation	Horizontal
Drive End Bearing	Sleeve	Opp Drive End Bearing	Sleeve
Frame Material	N/A	Shaft Type	Flat
Overall Length	7.50 in	Shaft Diameter	0.500 in
Shaft Extension	3.7 in		
Connection Drawing	261B865F01	Outline Drawing	11674-002

This is an uncontrolled document once printed or downloaded and is subject to change without notice. Date Created:04/19/2022

GENERAL INFORMATION:

SHAFT RUNOUT: .001[.03] T.I.R. PER INCH LENGTH OF EXTENSION

END PLAY: .010[.25] TO .063[1.60]

BEARINGS: SLEEVE

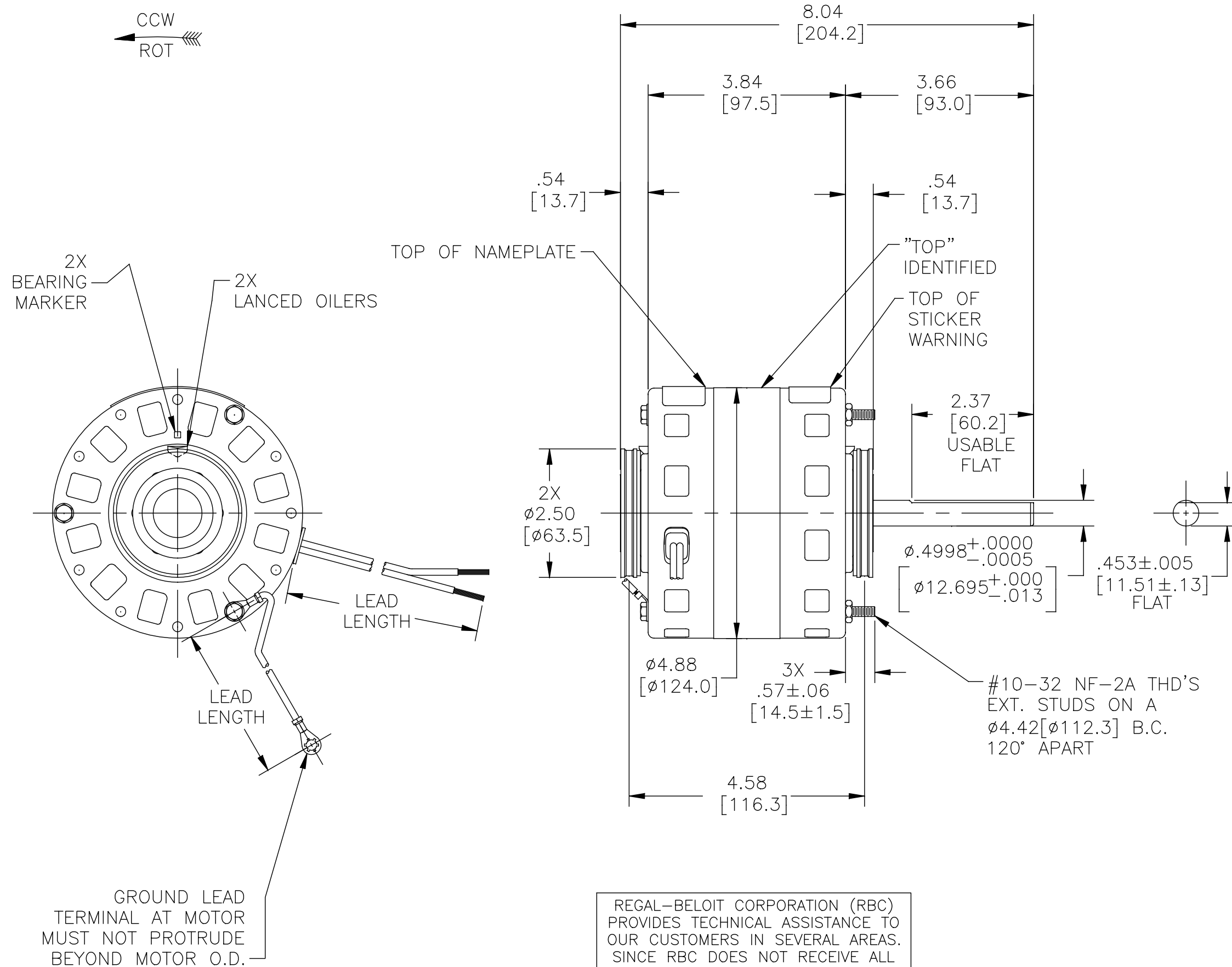
MOUNTING POSITION: HORIZONTAL

ELECTRICAL DATA:

OVERLOAD PROTECTOR: AUTOMATIC RESET (T.I. 7AM 304)

LEADS: NO. 18 GA., .06[1.5] THK., 125°C INSULATION

GROUND LEAD: NO. 18 GA., .03[.8] THK., GREEN INSULATION



GREEN (GRD)	7.0/9.0 [178/229]	#10 EYELET
2 CONDUIT RIPCORD	18.0/20.0 [457/508]	.60[15.2] SKIN
COLOR	LENGTH	TERMINAL OR STRIP LENGTH
LEAD DATA		

REGAL-BELOIT CORPORATION (RBC) PROVIDES TECHNICAL ASSISTANCE TO OUR CUSTOMERS IN SEVERAL AREAS. SINCE RBC DOES NOT RECEIVE ALL DATA CONCERNING THE USE AND APPLICATION OF THE MOTOR, THE SUITABILITY OF THE MOTOR FOR THE APPLICATION MUST BE DETERMINED BY THE CUSTOMER.

DIMENSIONS WITHOUT TOLERANCES ARE FOR REFERENCE ONLY.

MAIN FRAME - OLE	OPEN
END FRAME - OLE	OPEN
MAIN FRAME - LE	OPEN
END FRAME - LE	OPEN
ENCLOSURE	

CUSTOMER	DISTRIBUTION SERVICE
----------	----------------------

NAMEPLATE DATA:	EXTERNAL CONNECTION DIAGRAM
MODEL NO.: 326P208 CUST. P/N: BL6412 HP: 1/6 ROT.: CCWLE RPM: 1050 TYPE: FE FRAME: 42Y VOLTS: 115 PH: 1 AMPS: 5.5 HZ: 60 INS.: B AMB.: 40° C DUTY: AIR COVER CAP.: - ENCL.: - UL LOGO CSA LOGO THERMALLY PROTECTED TYPE C	

PERFORMANCE CURVE NO.	TORQUE @ 1050 RPM (25°C)	APPROVED SAMPLE	UL COMPONENT		CSA	
C30520	15.4 OZ. FT.	A7010A	FILE #	CCN #	FILE #	CLASS #
			E46412	PRGY2	LR43341	4211-01

DRAWING REVISION G	REVISION BY J.CHAI	DATE 07-01-2016
ECO ECO-0105193	APPROVED BY C.ZHANG	DATE 07-01-2016
ECO DESCRIPTION SEE ECO		

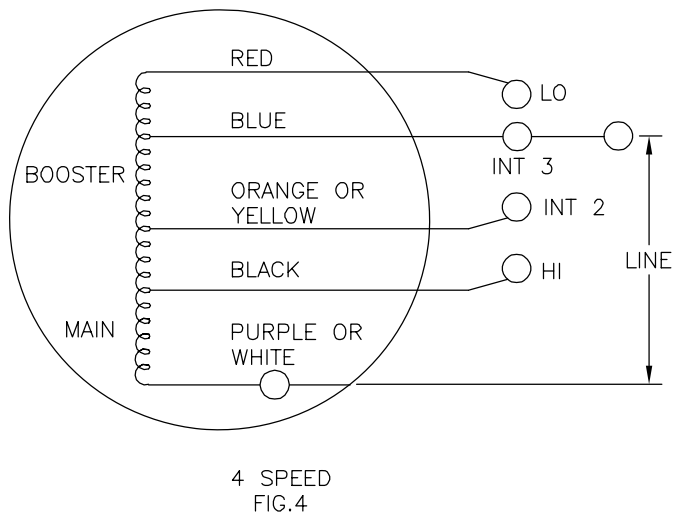
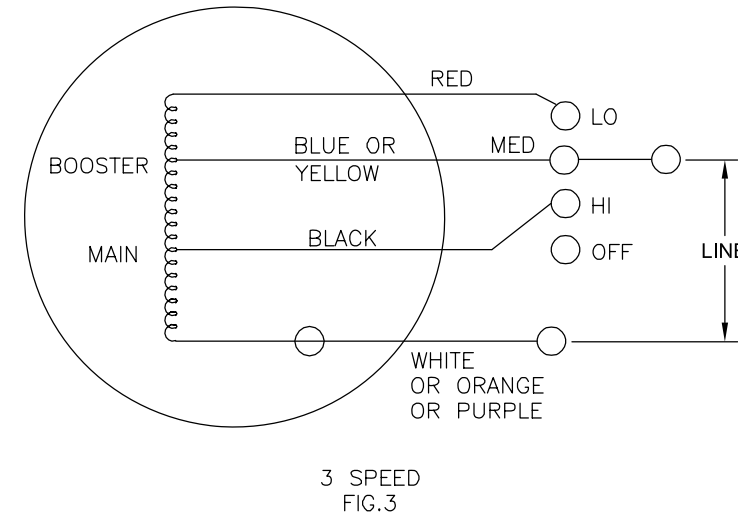
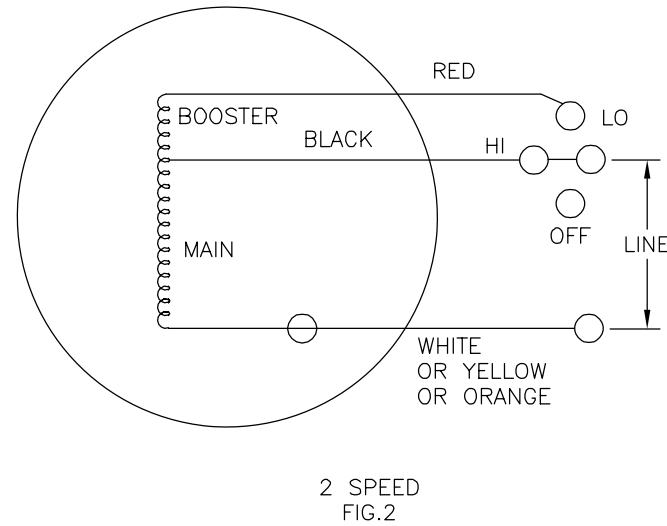
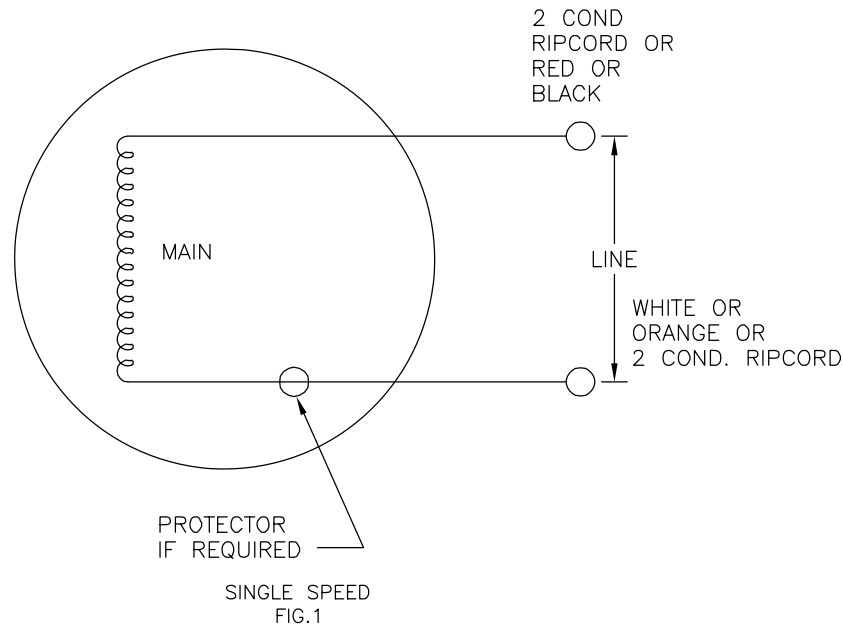
COPYRIGHT REGAL-BELOIT AMERICA, INC. ALL RIGHTS RESERVED. PROPRIETARY AND CONFIDENTIAL INFORMATION - THIS DOCUMENT IS THE PROPERTY OF REGAL-BELOIT AMERICA, INC. (OWNER) AND CONTAINS OWNER'S PROPRIETARY INFORMATION. ANY PERSON, CORPORATION OR OTHER FIRM RECEIVING IT IS DEEMED, BY RECEIVING IT, TO AGREE THAT IT, AND/OR ANY PART OF IT, SHALL NOT BE DISCLOSED TO ANY PERSON, CORPORATION OR OTHER ENTITY, DUPLICATED, AND/OR USED, EXCEPT AS EXPRESSLY APPROVED IN WRITING IN ADVANCE BY OWNER. THIS DOCUMENT SHALL BE RETURNED TO OWNER UPON REQUEST. IT MAY BE SUBJECT TO CERTAIN RESTRICTIONS UNDER APPLICABLE EXPORT CONTROL LAWS AND REGULATIONS.

DRAWN BY: MCNAMEE	
DATE: 08-23-1990	
APPROVED BY: T.RILEY	
DATE: 11-06-1995	
REFERENCE	
THIRD ANGLE PROJECTION	

REGAL ™ Regal Beloit America, Inc.	
DESCRIPTION MODEL-RFHP-48FR OUTLINE	
MATERIAL	PROCESS/FINISH
SIZE DWG NO C 11674-002	SHEET 1

REV	ECO	REV BY	DATE	APPD	DATE
T	ECO-0018824	J.HESS	04-15-2011	J.HESS	04-15-2011

FOR SINGLE SPEED ONLY
COLOR OF LEADS TO BE OPTIONAL



QUALITY CONTROL NOTE:
TO CHECK THE WINDINGS FOR OPENS VERIFY THE CONTINUITY AS OUTLINED BELOW.
FIG.1 BETWEEN WHITE AND BLACK OR WHITE & RED LEADS
FIG.2, 3 & 4, BETWEEN THE WHITE & RED LEADS.

GEOMETRIC CHARACTERISTICS & SYMBOLS

- ▭ FLATNESS
- STRAIGHTNESS
- ∠ ANGULARITY
- ⊥ PERPENDICULARITY (SQUARENESS)
- // PARALLELISM
- ROUNDNESS (CIRCULARITY)
- ⊘ CYLINDRICITY
- △ PROFILE OF ANY SURFACE
- ∩ PROFILE OF ANY LINE
- ↗ RUNOUT
- ⊕ TRUE POSITION
- ◎ CONCENTRICITY
- ≡ SYMMETRY

UNLESS OTHERWISE SPECIFIED
DIM. TOLERANCES ARE AS FOLLOWS:

INCH	±.1	±.02	±.005	±.0005
mm	±0.5	±0.13	±0.013	

ANG. ±.50 DEG
REMOVE BURRS & BREAK SHARP EDGES:
INCH .003-.015 mm 0.1-0.4
CORNER FILLETS TO:
INCH .020 mm 0.5
MACHINE SURFACES:
INCH 125 mm 3.2
METRIC DIMS. SHOWN IN [BRACKETS]

DR BY:	KLINE	10-24-1966
APPD:	RDS	10-27-1966
THIRD ANGLE PROJECTION		EDS DATE 02-22-2008 FORMAT REV F
CONFIDENTIAL: THIS DRAWING AND ITS INFORMATION ARE THE EXCLUSIVE AND CONFIDENTIAL PROPERTY OF A.O. SMITH CORP. AND ARE NOT TO BE DISCLOSED, DUPLICATED, DISTRIBUTED OR OTHERWISE USED WITHOUT THE WRITTEN CONSENT OF A.O. SMITH CORP. -ALL RIGHTS RESERVED. ASME Y14.5M 1994		

 ELECTRICAL PRODUCTS COMPANY <small>A DIVISION OF A. O. SMITH CORPORATION</small>	DESCRIPTION	
	CONN DIAGRAM-EXTERNAL	
SIZE	C	DWG NO
		261B865F01
SCALE	NONE	SHEET 1

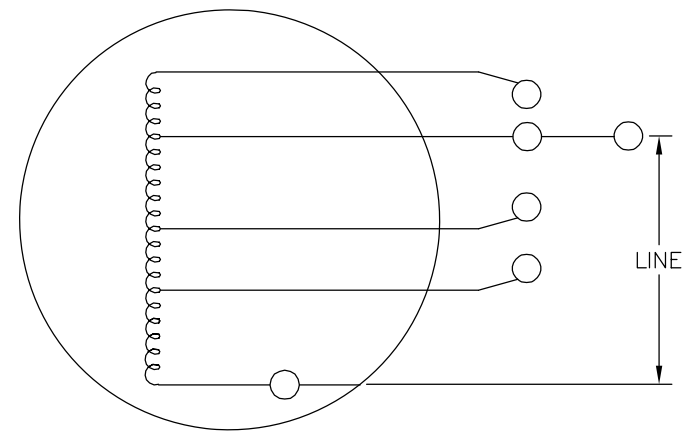
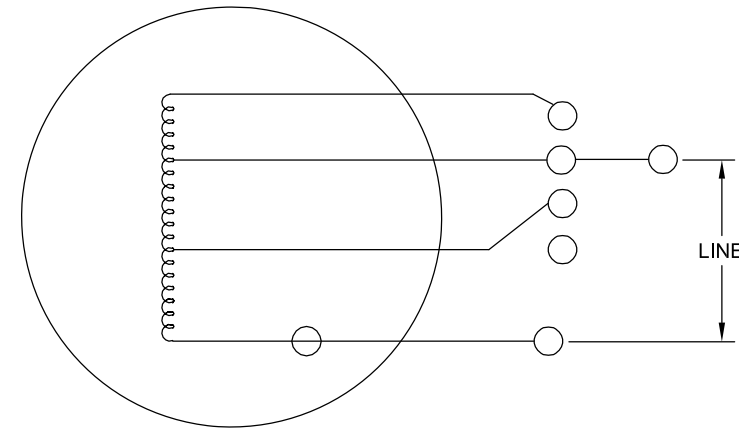
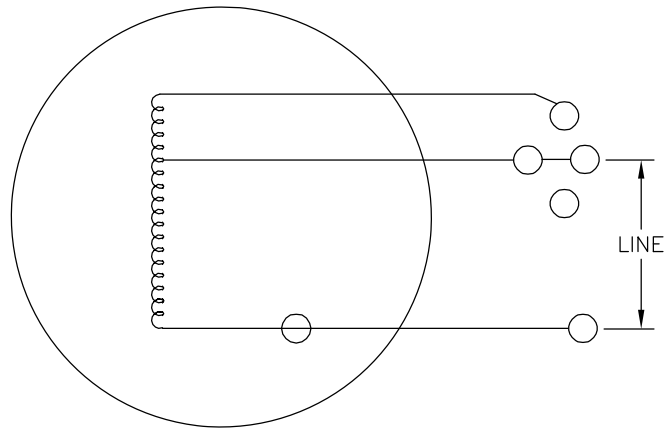
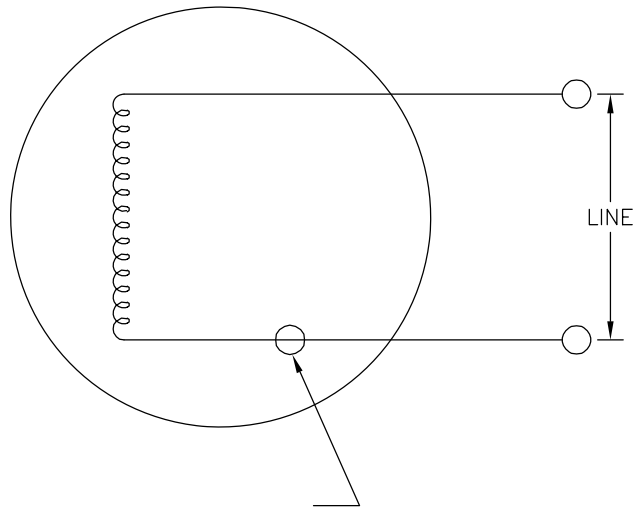
4

3

2

1

REVISION:	ECO	REVISADO POR:	FECHA:	APROBADO POR:	FECHA:
T	ECO-0018824	J.HESS	04-15-2011	J.HESS	04-15-2011



CARACTERISTICAS DE GEOMETRIA Y SIMBOLOS

- ▭ PLANICIDAD
- RECTITUD
- ∠ ANGULARIDAD
- ⊥ PERPENDICULARIDAD (A ESCUADRA)
- // PARALELISMO
- REDONDEZ (CIRCULARIDAD)
- ∅ CILINDRICIDAD
- △ PERFIL DE CUALQUIER SUPERFICIE
- ∩ PERFIL DE CUALQUIER LINEA
- ↑ VARIACION
- ⊕ POSICION REAL
- ◎ CONCENTRICIDAD
- = SIMETRIA

A MENOS QUE SE ESPECIFIQUE DE OTRA MANERA, LAS TOLERANCIAS DE LAS DIMS; SON LAS SIGUIENTES:

PULG	±.1	±.02	±.005	±.0005
mm	±0.5	±0.13	±0.013	

ANG. ± 50 GRADOS
 ELIMINAR REBABAS Y ORILLAS FILOSAS DEL BORDE.
 PULG .003-.015 mm 0.1-0.4
 FILETEAR ESQUINA: PULG .020 mm 0.5
 MAQUINAR SUPERFICIES
 PULG 125 mm .32
 DIMS METRICAS MOSTRADAS [PARENTESIS]

DIBUJADO POR:	KLINE	10-24-1966
APROBADO POR:	RDS	10-27-1966
TERCER ANGULO DE PROYECCION		FECHA EDS: 02-22-2008 REV. FORMATO: F
CONFIDENCIAL: ESTE DIBUJO Y SU INFORMACION SON PROPIEDAD DE USO EXCLUSIVO Y CONFIDENCIAL DE A.O.SMITH CORP. Y NO DEBERAN SER REVELADOS, DUPLICADOS, DISTRIBUIDOS O USARSE DE OTRA MANERA SIN EL CONSENTIMIENTO ESCRITO DE A.O. SMITH CORP. -TODOS LOS DERECHOS RESERVADOS.ASME Y14.5M 1994		

ACSmith <small>Innovation has a name.</small>		ELECTRICAL PRODUCTS COMPANY <small>A DIVISION OF A. O. SMITH CORPORATION</small>	
DESCRIPCION: CONN DIAGRAM-EXTERNAL			
TAMAÑO: C	NUMERO DE DIBUJO: 261B865F01		
ESCALA: NONE			HOJA: 1

4

3

2

1

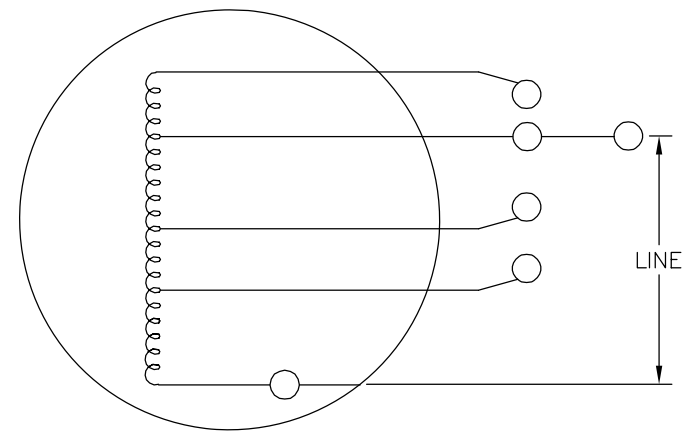
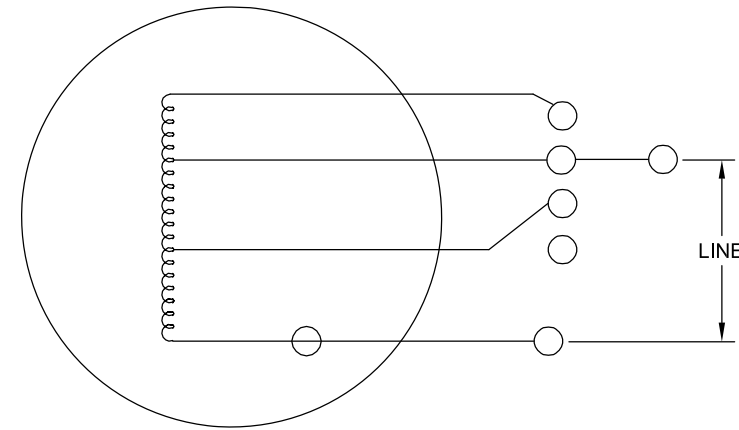
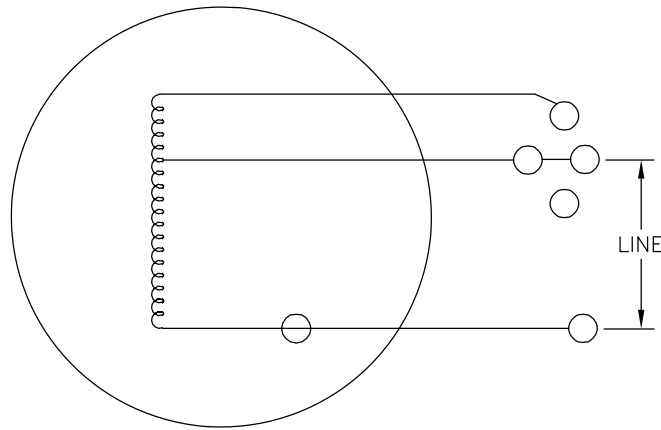
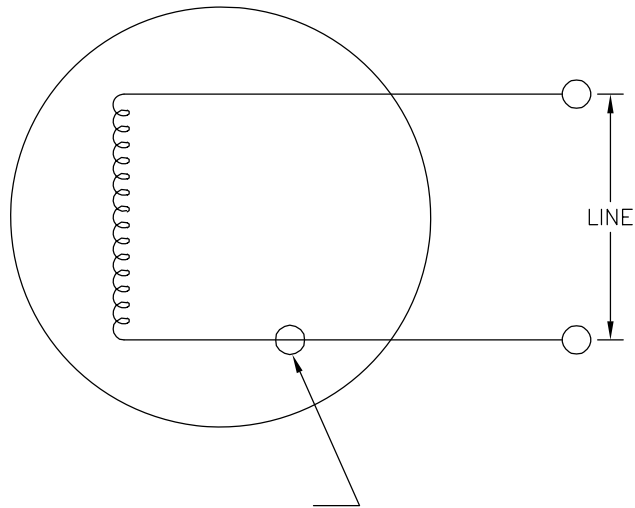
4

3

2

1

版本	ECO	编制	日期	批准	日期
T	ECO-0018824	J.HESS	04-15-2011	J.HESS	04-15-2011



形位公差
□ 平面度
— 直线度
∠ 倾斜度
⊥ 垂直度
// 平行度
○ 圆度
⊘ 圆柱度
∩ 内圆角
△ 面轮廓度
∩ 线轮廓度
↗ 圆跳动
⊕ 位置度
⊙ 同轴度
≡ 对称度

除另有注明 尺寸公差如下:
英寸 X XX XXX XXXX
毫米 ±0.1 ±0.02 ±0.005 ±0.0005
毫米 ±0.5 ±0.13 ±0.013
角度 ±.50 度
清理毛刺和尖棱
英寸 .003-.015 毫米 0.1-0.4
内圆角
英寸 .020 毫米 0.5
表面粗糙度
英制 125 米制 3.2
米制尺寸显示在 []

绘图:	KLINE	10-24-1966
批准:	RDS	10-27-1966
第三角投影		图纸格式发布日期 02-22-2008 图纸格式版本 F
机密: 本图纸及相关信息所有权归A. O. SMITH公司所有。 未经A. O. SMITH公司书面授权, 不得泄露、复制、传播或作 其他用途。—版权所有		
ASME Y14.5M 1994		

ACSmith Innovation has a name.		ELECTRICAL PRODUCTS COMPANY A DIVISION OF A. O. SMITH CORPORATION	
名称 CONN DIAGRAM-EXTERNAL			
图幅	C	图号	261B865F01
比例	NONE	页号	1

4

3

2

1