

Product Overview



Print



[Click to Enlarge](#)

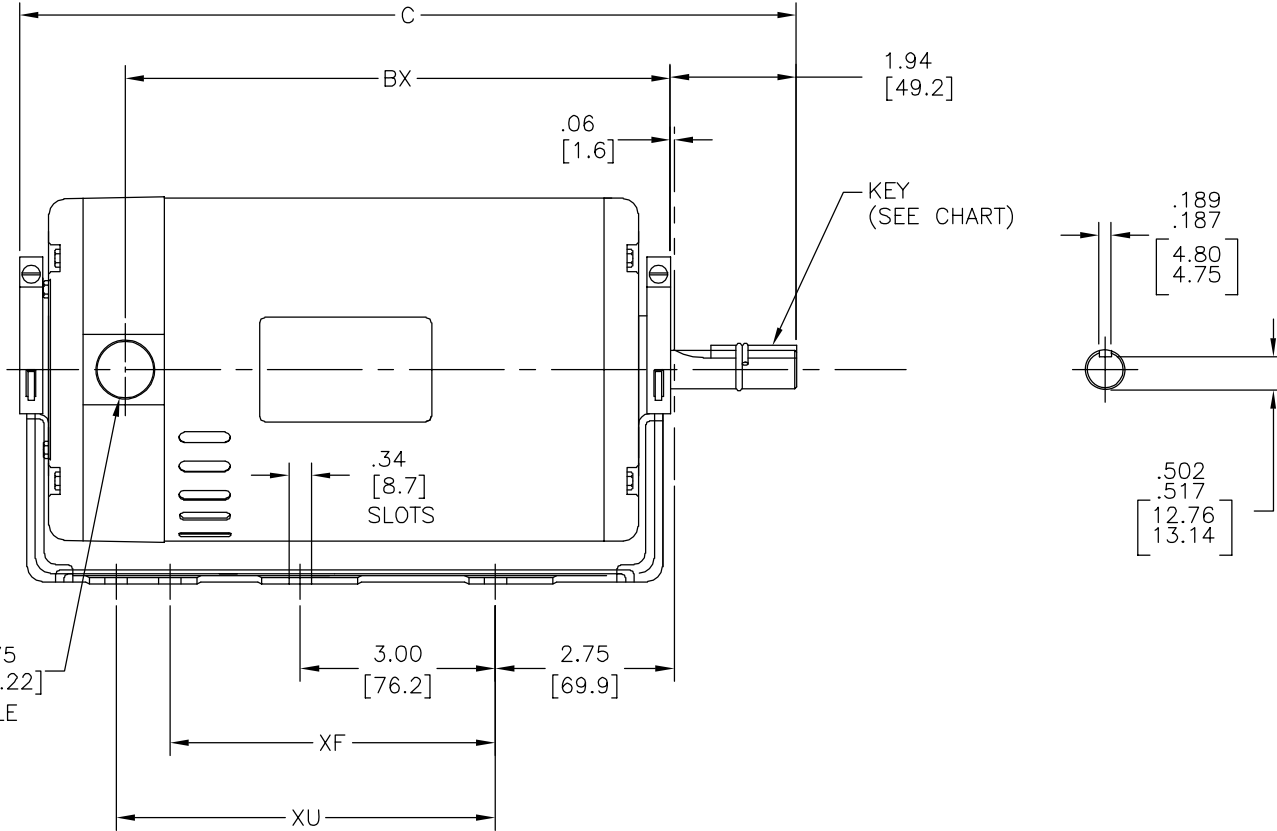
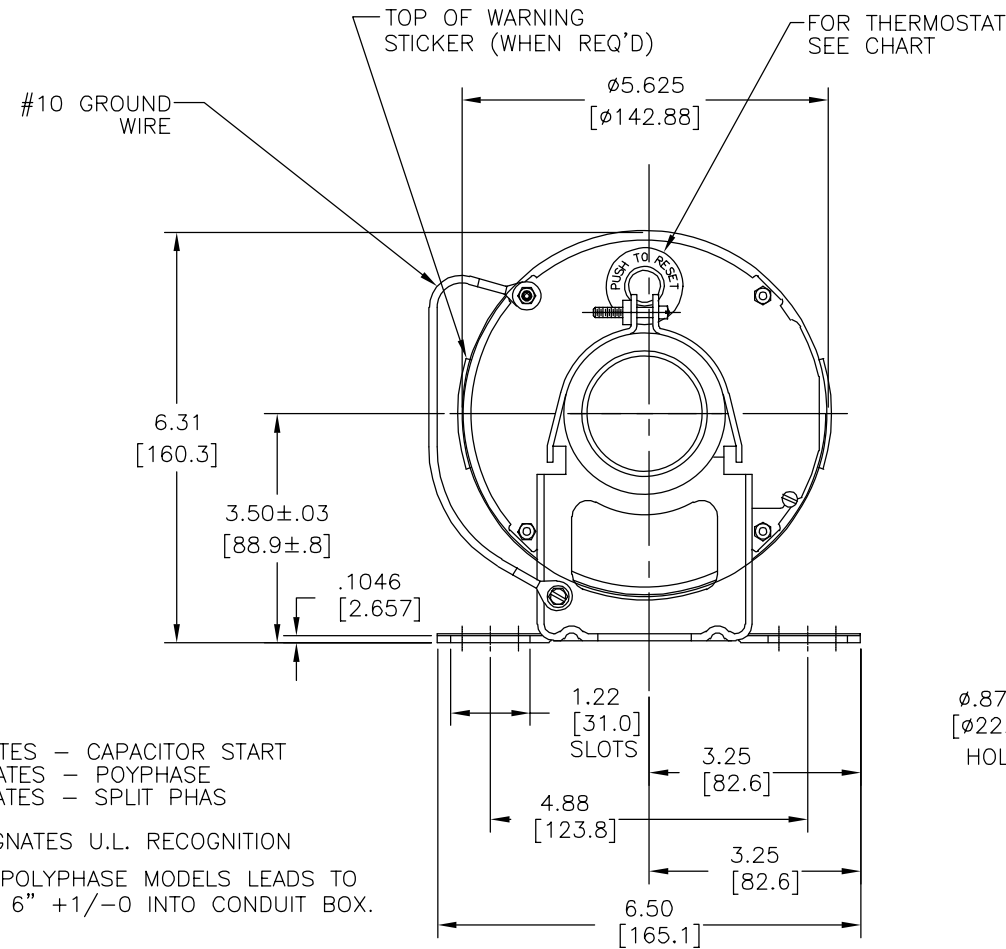
Product Type :	AC Motors
Product Family:	6-1/2" Diameter (56 Frame)
Stock Number:	BK3102
Reference:	Catalog Page: 150
Description:	MODEL-CFHP-48FR
Features:	Product feature information temporarily unavailable
Applications:	Product application information temporarily unavailable
List Price:	\$487

The image shown is representative only and the actual product may differ from the image shown

TECHNICAL SPECIFICATIONS NOTES DRAWINGS

Horse Power:	1
Amperes:	3.1/1.55
Frequency:	60
RPM:	3450
Voltage:	230/460
Motor Type:	UP
Frame Size:	56H
Nema Suffix:	H
Service Factor:	1.4
Phase:	3
Enclosure:	ODP
Bearings:	BALL
Ambient Temperature:	40
Insulation Class:	A
Rotation:	REVERSIBLE
Protector:	AUTOMATIC
Agency Approvals:	ULCSA
Duty Cycle:	CONT.

REV	ECO	REV BY	DATE	APPD	DATE
C	0025364	A.CHEN	04-16-2012	B.SHEN	04-16-2012



- NOTES:
1. C. INDICATES - CAPACITOR START
P. INDICATES - POYPHASE
S. INDICATES - SPLIT PHAS
"U" DESIGNATES U.L. RECOGNITION
 2. ON ALL POLYPHASE MODELS LEADS TO EXTEND 6" +1/-0 INTO CONDUIT BOX.
 3. FINISH PAINT TO BE BLACK-SATIN
 4. LIMITS ON AMPLITUDE OF VIBRATION MEASURED AT BEARING HOUSING = .001
 5. CARBON STEEL SHAFT

MOTOR ASSEMBLY	MODEL	HP	VOLTS	CYC.	PHASE	RPM	ROT. P.E.	BEARINGS	THERMOSTAT	FRAME	C	XF	XU	BX	KEY			TYPE *	CHARACTERISTICS	REMARKS
															WIDTH	THICK	LENGTH			
608542-011	BK1102	1	115/208-230	60	1	3450	DUAL	SHIELDED BALL	AUTO-RESET	56	11 15/16	5	OMIT	8 3/8	3/16	3/16	1 3/8	U.C.	BLOWER	U.L. APPROVED
608558-013	BK3072	3/4	230/460	60	3	3450	DUAL	SHIELDED BALL	AUTO-RESET	56	11 7/16	OMIT	OMIT	7 7/8	3/16	3/16	1 3/8	U.P.	NEMA	U.L. APPROVED
608558-014	BK3102	1	230/460	60	3	3450	DUAL	SHIELDED BALL	AUTO-RESET	56	11 15/16	5	OMIT	8 3/8	3/16	3/16	1 3/8	U.P.	NEMA	U.L. APPROVED

GEOMETRIC CHARACTERISTICS & SYMBOLS
 □ FLATNESS
 — STRAIGHTNESS
 ∠ ANGULARITY
 ⊥ PERPENDICULARITY (SQUARENESS)
 ∥ PARALLELISM
 ○ ROUNDNESS (CIRCULARITY)
 ∅ CYLINDRICITY
 △ PROFILE OF ANY SURFACE
 ∩ PROFILE OF ANY LINE
 ↗ RUNOUT
 ⊕ TRUE POSITION
 ⊙ CONCENTRICITY
 = SYMMETRY
 ASME Y14.5M 1994

UNLESS OTHERWISE SPECIFIED DIM. TOLERANCES ARE AS FOLLOWS:
 INCH X XX XXX XXXX
 ±.1 ±.02 ±.005 ±.0005
 mm ±0.5 ±0.13 ±0.013
 ANG. ±.50 DEG
 REMOVE BURRS & BREAK SHARP EDGES:
 INCH .003-.015 mm 0.1-0.4
 CORNER FILLETS TO:
 INCH .020 mm 0.5
 MACHINE SURFACES:
 INCH 125 mm 3.2
 METRIC DIMS. SHOWN IN [BRACKETS]

DR BY: CJS 09-23-1963
 APPD: HAS 09-25-1963
 THIRD ANGLE PROJECTION
 EDS DATE 11-11-2011
 FORMAT REV G
 CONFIDENTIAL: THIS DRAWING AND ITS INFORMATION ARE THE EXCLUSIVE AND CONFIDENTIAL PROPERTY OF REGAL-BELOIT CORPORATION AND ARE NOT TO BE DISCLOSED, DUPLICATED, DISTRIBUTED OR OTHERWISE USED WITHOUT THE WRITTEN CONSENT OF REGAL-BELOIT CORPORATION.
 -ALL RIGHTS RESERVED.

REGAL-BELOIT CORPORATION

DESCRIPTION: **OUTLINE**

SIZE: C DWG NO: 10778-001

SCALE: NONE SHEET: 1