

PRODUCT INFORMATION PACKET



Model No: BK3074

Catalog No: BK3074

Fan and Blower Motor, 3/4 HP, 3 Ph, 60 Hz, 208-230/460 V, 1800 RPM, 56H Frame, ODP



Regal and Century are trademarks of Regal Rexnord Corporation or one of its affiliated companies.

©2023 Regal Rexnord Corporation, All Rights Reserved. MC017097E





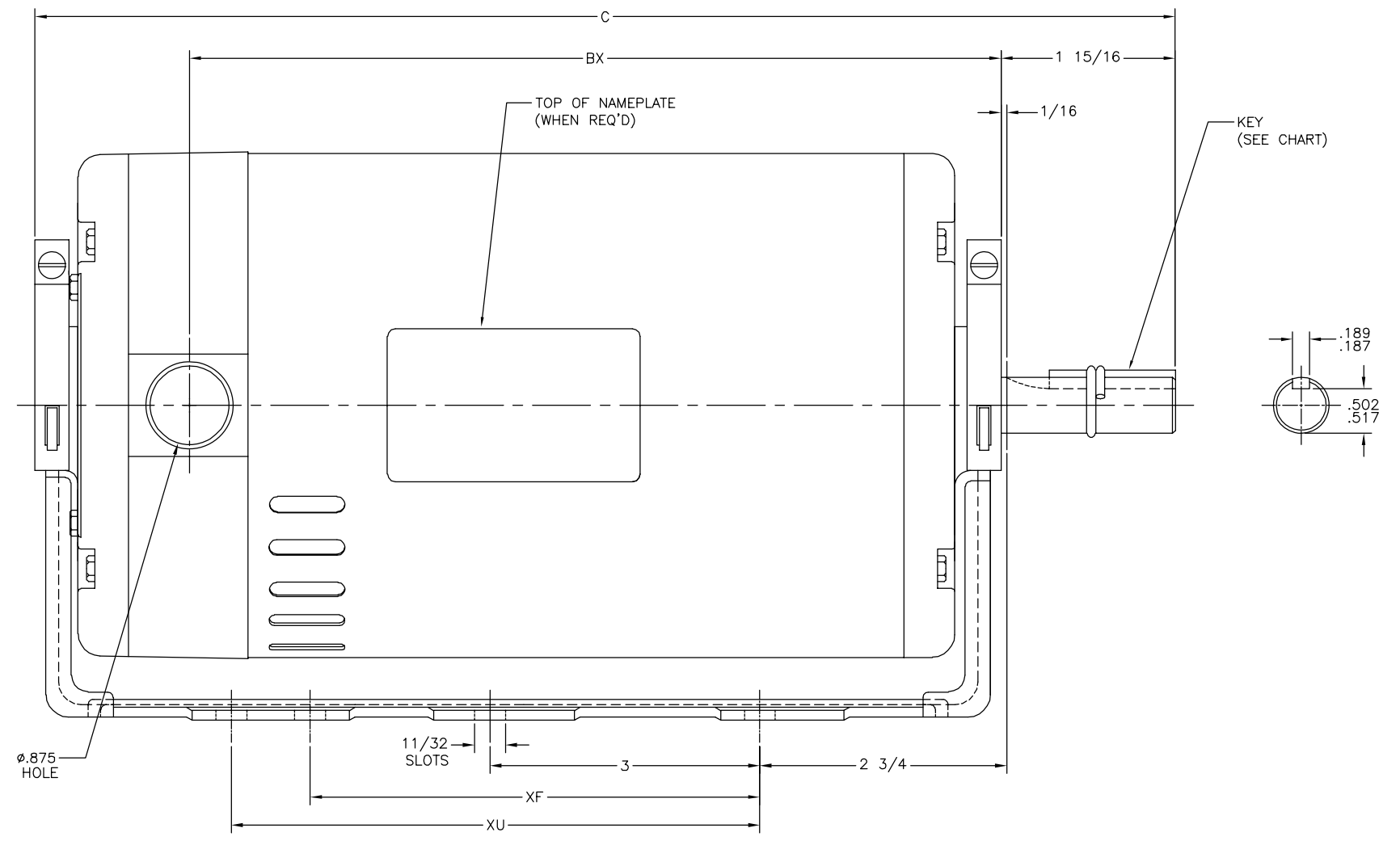
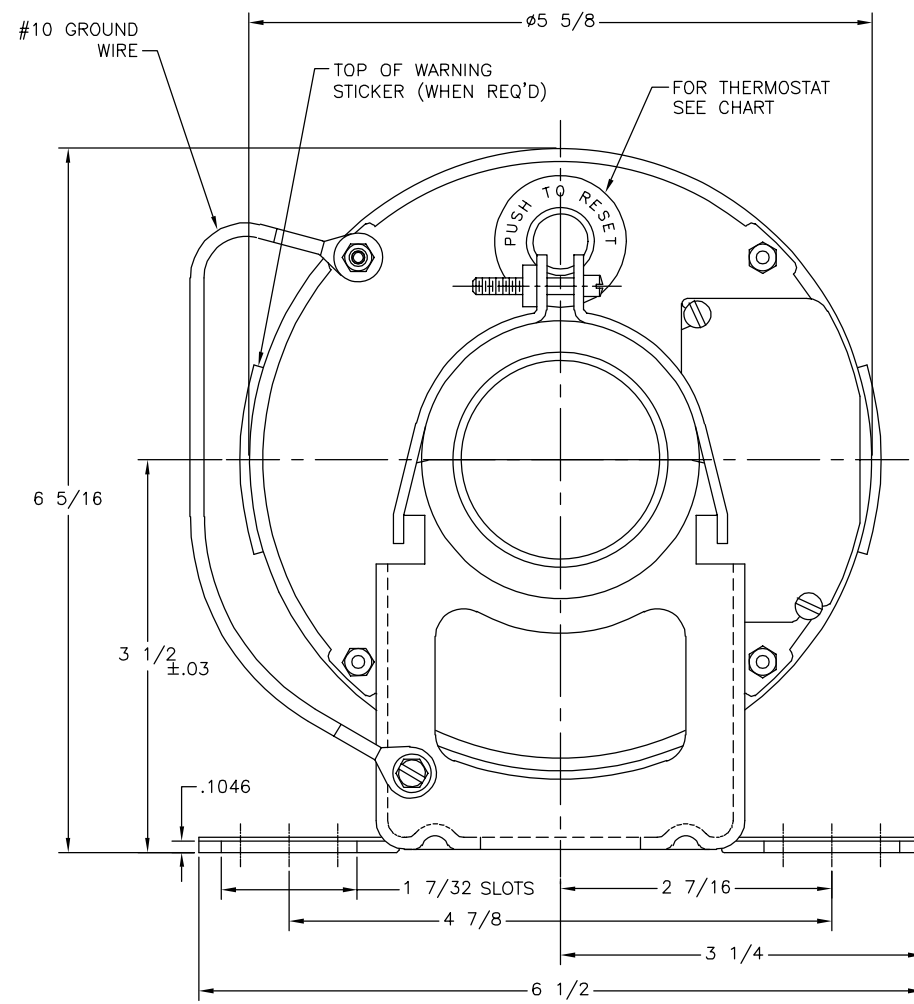
Nameplate Specifications

Phase	3	Output HP	3/4 Hp
Output KW	0.56 kW	Voltage	208-230/460 V
Speed	1725 rpm	Service Factor	1.25
Frame	56H	Enclosure	Open Drip Proof
Thermal Protection	Automatic	Ambient Temperature	40 °C
Frequency	60 Hz	Current	2.5/1.25 A
Duty	Continuous	Insulation Class	B
UL	Recognized	CSA	Y
CE	N	Number of Speeds	1

Technical Specifications

Electrical Type	Polyphase	Starting Method	Across The Line
Poles	4	Rotation	Reversible
Mounting	Resilient Base	Drive End Bearing	Ball
Opp Drive End Bearing	Ball	Frame Material	Rolled Steel
Shaft Type	Keyed	Overall Length	11.94 in
Frame Length	6.88 in	Shaft Diameter	0.625 in
Shaft Extension	1.9375 in		
Outline Drawing	10778-003	Connection Drawing	617509

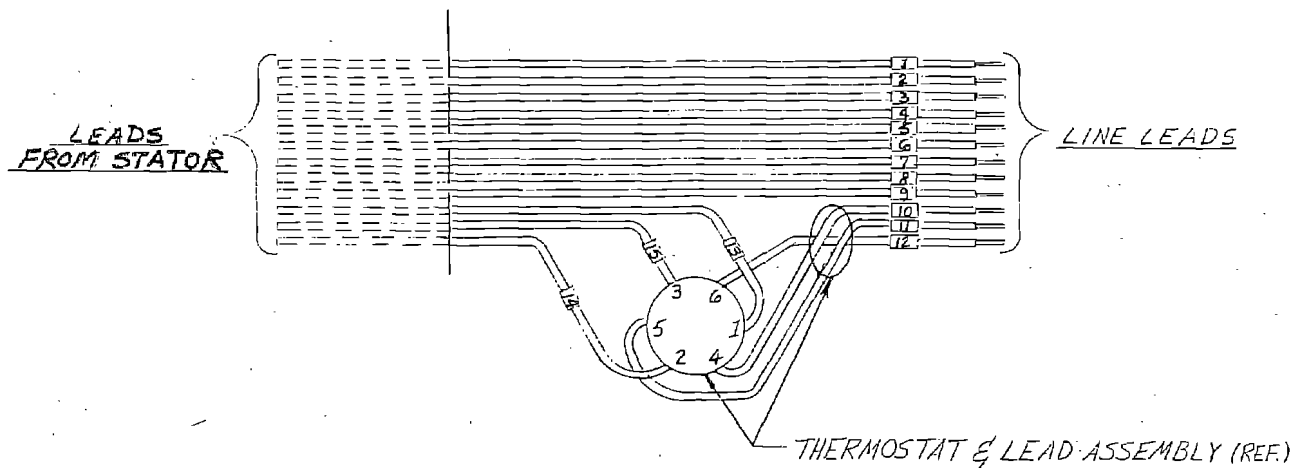
This is an uncontrolled document once printed or downloaded and is subject to change without notice. Date Created: 11/02/2023



- NOTES:
 1. C. INDICATES - CAPACITOR START
 P. INDICATES - POYPHASE
 S. INDICATES - SPLIT PHASE
 "U" DESIGNATES U.L. RECOGNITION
 2. ON ALL POLYPHASE MODELS LEADS TO EXTEND 6" +1/-0 INTO CONDUIT BOX.
 3. FINISH PAINT TO BE BLACK-SATIN
 4. LIMITS ON AMPLITUDE OF VIBRATION MEASURED AT BEARING HOUSING = .001
 5. CARBON STEEL SHAFT

MOTOR ASSEMBLY	MODEL	HP	VOLTS	CYC.	PHASE	RPM	ROT. P.E.	BEARINGS	THERMOSTAT	FRAME	C	XF	XU	BX	KEY			TYPE *	CHARACTERISTICS	REMARKS
															WIDTH	THICK	LENGTH			
608542-047	BK1052	1/2	115/208-230	60	1	3450	DUAL	SHIELDED BALL	AUTO-RESET	56	10 15/16	OMIT	OMIT	7 3/8	3/16	3/16	1 3/8	U.C.	BLOWER	U.L. APPROVED
608542-054	BK1054	1/2	115/208-230	60	1	1725	DUAL	SHIELDED BALL	AUTO-RESET	56	11 9/16	OMIT	OMIT	8	3/16	3/16	1 3/8	U.C.	BLOWER	
608558-041	BK3052	1/2	230/460	60	3	3450	DUAL	SHIELDED BALL	AUTO-RESET	56	10 15/16	OMIT	OMIT	7 3/8	3/16	3/16	1 3/8	U.P.	NEMA	U.L. APPROVED
608558-061	BK3054	1/2	208-230/460	60	3	1725	DUAL	SHIELDED BALL	AUTO-RESET	56	11 7/16	OMIT	OMIT	7 7/8	3/16	3/16	1 3/8	P	NEMA	
608558-060	BK3074	3/4	208-230/460	60	3	1725	DUAL	SHIELDED BALL	AUTO-RESET	56	11 15/16	5	OMIT	8 3/8	3/16	3/16	1 3/8	U.P.	BLOWER	U.L. APPROVED

DRAWING REVISION W 0051163 ECO DESCRIPTION SBI ON DESCRIPTION ZONE A1 CHANGED	REVISION BY D.MENDOZA DATE 05-13-2014 F.PAYAN DATE 05-13-2014	DATE 05-13-2014	TOLERANCES UNLESS OTHERWISE SPECIFIED DEC. INCH DIM. ANGLE .X ±0.1 (±2.5) ±0.5 .XX ±0.02 (±0.51) .XXX ±0.005 (±0.127) .XXXX ±0.0005 (±0.0127)	DRAWN BY: CJP DATE: 11-21-1969 APPROVED BY: HAS DATE: 03-05-1970 PROCESS/FINISH -	REGAL Regal Beloit America, Inc. DESCRIPTION MODEL-CFHP-48FR OUTLINE MATERIAL -
<small>PROPRIETARY AND CONFIDENTIAL INFORMATION - THE PROPERTY OF REGAL BELOIT AMERICA, INC. (HEREIN AND CONTAINING THEREIN) INFORMATION, BEING FURNISHED TO YOU BY REGAL BELOIT AMERICA, INC. IS LOANED TO YOU AND IS NOT TO BE REPRODUCED OR DISCLOSED TO ANY OTHER PARTY WITHOUT THE WRITTEN PERMISSION OF REGAL BELOIT AMERICA, INC. ANY INFORMATION CONTAINED HEREIN IS NOT TO BE USED FOR ANY PURPOSES OTHER THAN THAT AUTHORIZED BY REGAL BELOIT AMERICA, INC. WITHOUT THE WRITTEN PERMISSION OF REGAL BELOIT AMERICA, INC. ANY INFORMATION CONTAINED HEREIN IS NOT TO BE USED FOR ANY PURPOSES OTHER THAN THAT AUTHORIZED BY REGAL BELOIT AMERICA, INC. WITHOUT THE WRITTEN PERMISSION OF REGAL BELOIT AMERICA, INC.</small>			EDGES .003/015 .076 .3811 CORNER FILLETS .02 [L51] MACHINED SURFACES .125 INCH/33 DIM. SHOWN IN BRACKETS	THIRD ANGLE PROJECTION SIZE DWG NO 10778-003	SHEET 1



	DATE	CHANGED FROM	NOTICE	DATE	CHANGED FROM	NOTICE
A			H			
B			J			
C			K			
D			L			
E			M			
F			N			
G			P			

617509

SUPERSEDES	ELECTRIC MOTOR DIVISION TIPP CITY, OHIO			A. O. SMITH CORP.	
SUPERSEDED BY	NAME <i>CONNECTION DIAGRAM-EXT.(WITH THERM.)</i>				
REFERENCE <i>605904</i>	MATERIAL				
LIMITS UNLESS OTHERWISE SPECIFIED: FRACTIONS DECIMAL					
DR. <i>M. HUDSON</i>	PROCESS	SCALE <i>7</i>	MODEL <i>P56R2T11B9</i>		
DATE OF PRINT	CHK'D. <i>H.E.S.</i>	NOTICE NO. <i>5221117</i>	PART NO. 617509		
	APP'D.				

OL-025 Rev. 1