



Nameplate Specifications

Output HP	1 Hp	Output KW	0.75 kW
Frequency	60 Hz	Voltage	115/208-230 V
Current	12.6/6.3 A	Speed	3450 rpm
Service Factor	1.4	Phase	1
Duty	Continuous	Insulation Class	A
Frame	56	Enclosure	Drip Proof
Thermal Protection	Automatic	Ambient Temperature	40 °C
UL	Recognized	CSA	Y
CE	N		

Technical Specifications

Electrical Type	Capacitor Start	Starting Method	Across The Line
Poles	2	Rotation	Reversible
Mounting	Resilient Base	Drive End Bearing	Ball
Opp Drive End Bearing	Ball	Frame Material	Rolled Steel
Shaft Type	Keyed	Overall Length	11.94 in
Frame Length	6.88 in	Shaft Diameter	0.625 in
Shaft Extension	1.94 in		
Outline Drawing	10778-001	Connection Drawing	604797-015

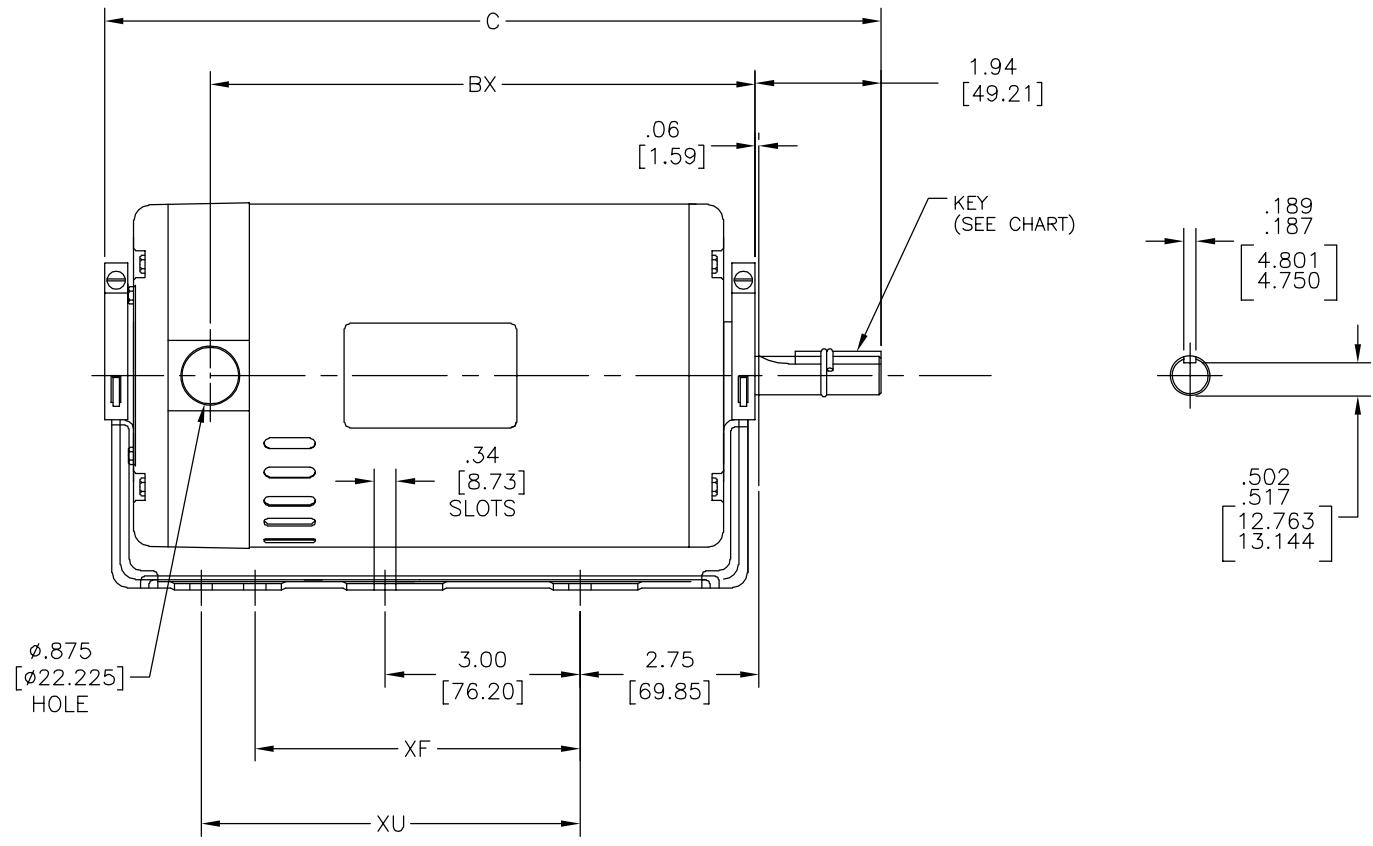
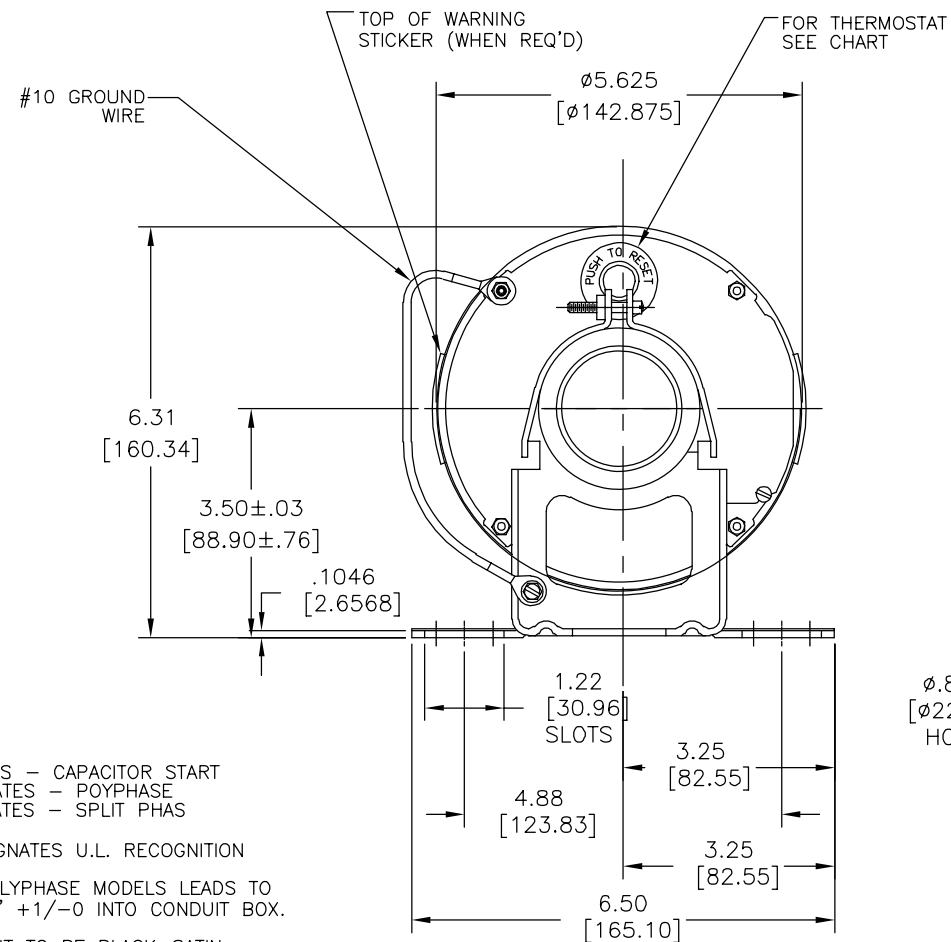
This is an uncontrolled document once printed or downloaded and is subject to change without notice. Date Created: 10/07/2021

4

3

2

1



- NOTES:
1. C. INDICATES - CAPACITOR START
P. INDICATES - POYPHASE
S. INDICATES - SPLIT PHAS
 - "U" DESIGNATES U.L. RECOGNITION
 2. ON ALL POLYPHASE MODELS LEADS TO EXTEND 6" +1/-0 INTO CONDUIT BOX.
 3. FINISH PAINT TO BE BLACK-SATIN
 4. LIMITS ON AMPLITUDE OF VIBRATION MEASURED AT BEARING HOUSING = .001
 5. CARBON STEEL SHAFT

MOTOR ASSEMBLY	MODEL	HP	VOLTS	CYC.	PHASE	RPM	ROT. P.E.	BEARINGS	THERMOSTAT	FRAME	C	XF	XU	BX	KEY			TYPE *	CHARACTERISTICS	REMARKS
															WIDTH	THICK	LENGTH			
608542-011	BK1102	1	115/208-230	60	1	3450	DUAL	SHIELDED BALL	AUTO-RESET	56	11 15/16	5	OMIT	8 3/8	3/16	3/16	1 3/8	U.C.	BLOWER	U.L. APPROVED
608558-013	BK3072	3/4	230/460	60	3	3450	DUAL	SHIELDED BALL	AUTO-RESET	56	11 7/16	OMIT	OMIT	7 7/8	3/16	3/16	1 3/8	U.P.	NEMA	U.L. APPROVED
608558-014	BK3102	1	230/460	60	3	3450	DUAL	SHIELDED BALL	AUTO-RESET	56	11 15/16	5	OMIT	8 3/8	3/16	3/16	1 3/8	U.P.	NEMA	U.L. APPROVED

DRAWING REVISION D	REVISION BY D.MENDOZA	DATE 05-02-2014	TOLERANCES UNLESS OTHERWISE SPECIFIED DEC. INCH mm ANGLE .X ±0.1 [±2.5] ±0.5° .XX ±0.02 [±0.51] .XXX ±0.005 [±0.127] .XXXX ±0.0005 [±0.0127]	DRAWN BY: CJS	Regal Beloit America, Inc.
ECC-0049738	APPROVED BY F.PAYAN	DATE 05-02-2014	REMOVE BURRS & BREAK SHARP EDGES .003/.015 [0.076/.381] CORNER/FILLETS .02 [.51] MACHINED SURFACES 125/32 mm SHOWN IN [BRACKETS]	DATE: 09-23-1963	
ECC DESCRIPTION UPDATED TO NEW STANDARDS				APPROVED BY: HAS	DESCRIPTION OUTLINE
<small>COPYRIGHT REGAL BELOIT AMERICA, INC. ALL RIGHTS RESERVED. PROPRIETARY AND CONFIDENTIAL INFORMATION - THIS DOCUMENT IS THE PROPERTY OF REGAL BELOIT AMERICA, INC. (OWNER) AND CONTAINS OWNER'S PROPRIETARY INFORMATION. ANY PERSON, CORPORATION OR OTHER FIRM RECEIVING IT IS DEEMED, BY RECEIVING IT, TO AGREE THAT IT, AND/OR ANY PART OF IT, SHALL NOT BE DISCLOSED TO ANY PERSON, CORPORATION OR OTHER ENTITY, DUPLICATED, AND/OR USED, EXCEPT AS EXPRESSLY APPROVED IN WRITING IN ADVANCE BY OWNER. THIS DOCUMENT SHALL BE RETURNED TO OWNER UPON REQUEST. IT MAY BE SUBJECT TO CERTAIN RESTRICTIONS UNDER APPLICABLE EXPORT CONTROL LAWS AND REGULATIONS.</small>				DATE: 09-25-1963	MATERIAL -
				PROCESS/FINISH -	SIZE DWG NO C 10778-001
				THIRD ANGLE PROJECTION	SHEET 1

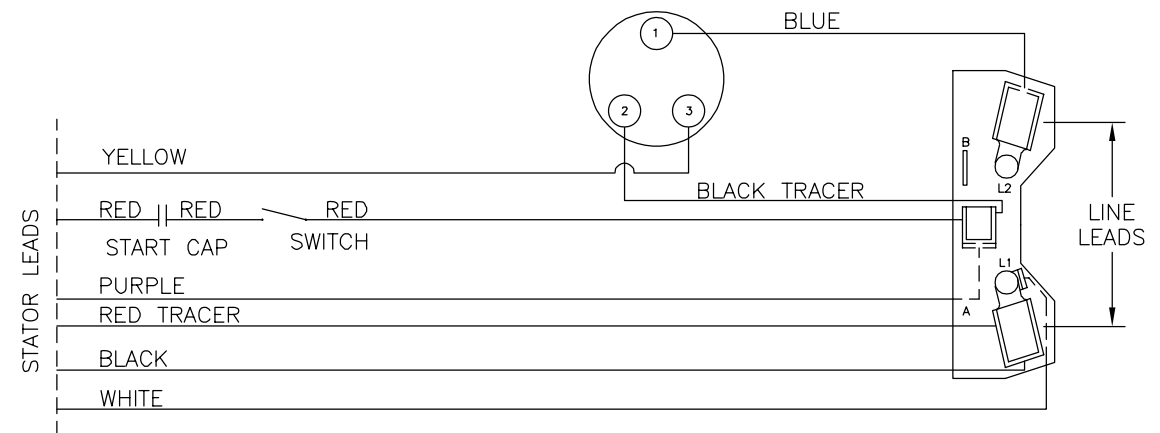
4

3

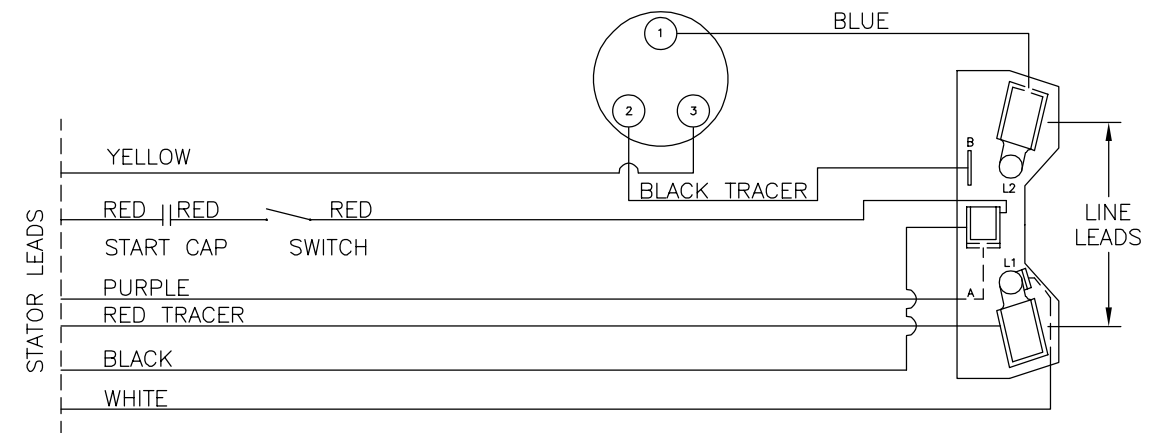
2

1

REV	ECO	REV BY	DATE	APPD	DATE
B	0035301	J.AGUILERA	10-09-2013	D.BALDERRAMA	10-09-2013

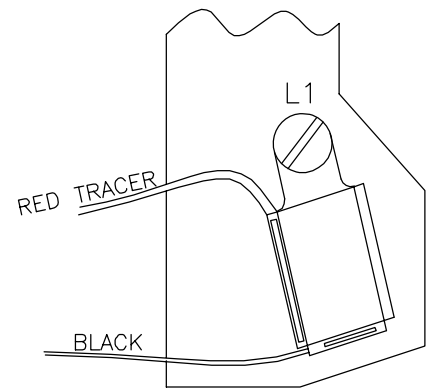


LOW VOLTS



HIGH VOLTS

NOTES:
1. ON LOW VOLTAGE CONNECTION STATOR LEADS TO BE LOCATED ON L1 TERMINAL AS SHOWN BELOW



PART NUMBER	RED L-T ASSY SWITCH TO TERM BD.	RED LEAD CAPACITOR TO SWITCH	BLUE L-T ASSY THST TO TERM BD	BLACK L-T ASSY THST TO TERM BD
604797-015	(058R18-NV-032-NV)	(058R18-FX-025-08)	(058BL14-NV-027-08)	(058BT16-KM-035-08)

GEOMETRIC CHARACTERISTICS & SYMBOLS

- ▭ FLATNESS
- STRAIGHTNESS
- ∠ ANGULARITY
- ⊥ PERPENDICULARITY (SQUARENESS)
- // PARALLELISM
- ROUNDNESS (CIRCULARITY)
- ⊘ CYLINDRICITY
- △ PROFILE OF ANY SURFACE
- ∩ PROFILE OF ANY LINE
- ↗ RUNOUT
- ⊕ TRUE POSITION
- ◎ CONCENTRICITY
- ≡ SYMMETRY

ASME Y14.5M 1994

UNLESS OTHERWISE SPECIFIED DIM. TOLERANCES ARE AS FOLLOWS:

INCH	±.1	±.02	±.005	±.0005
mm	±0.5	±0.13	±0.013	

ANG. ±.50 DEG
REMOVE BURRS & BREAK SHARP EDGES:
INCH .003-.015 mm 0.1-0.4
CORNER FILLETS TO:
INCH .020 mm 0.5
MACHINE SURFACES:
INCH 125 mm 3.2

METRIC DIMS. SHOWN IN [BRACKETS]

DR BY: CQ 07-28-1972

APPD:

THIRD ANGLE PROJECTION

EDS DATE 11-11-2011
FORMAT REV H

CONFIDENTIAL: THIS DRAWING AND ITS INFORMATION ARE THE EXCLUSIVE AND CONFIDENTIAL PROPERTY OF REGAL-BELOIT CORPORATION AND ARE NOT TO BE DISCLOSED, DUPLICATED, DISTRIBUTED OR OTHERWISE USED WITHOUT THE WRITTEN CONSENT OF REGAL-BELOIT CORPORATION. -ALL RIGHTS RESERVED.

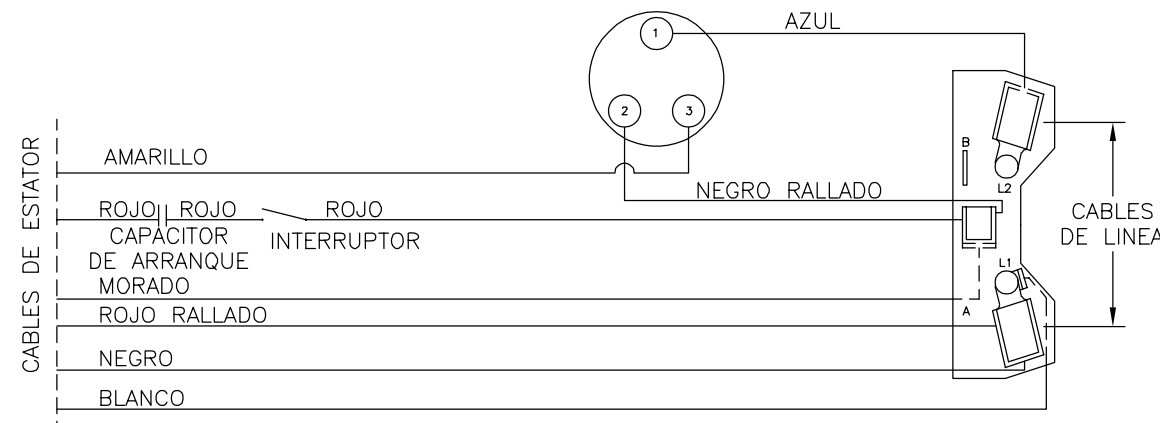
REGAL REGAL-BELOIT CORPORATION

DESCRIPTION
CONN DIAGRAM-EXTERNAL

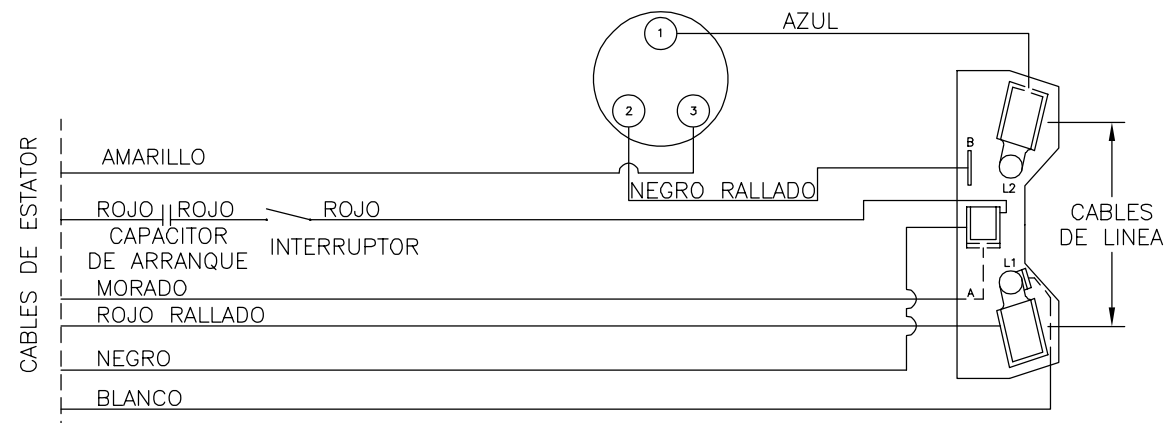
SIZE C DWG NO 604797-015

SCALE NONE SHEET 1

REVISION:	ECO	REVISADO POR:	FECHA:	APROBADO POR:	FECHA:
B	0035301	J.AGUILERA	10-09-2013	D.BALDERRAMA	10-09-2013

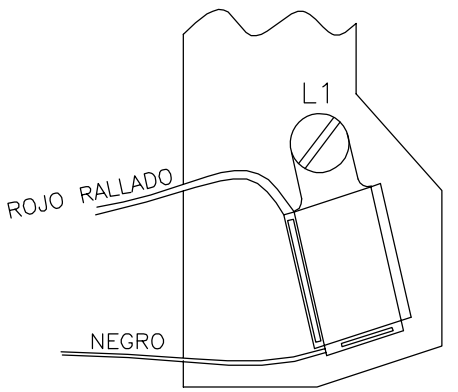


BAJO VOLTAJE



ALTO VOLTAJE

NOTAS:
 1. EN CONECCION DE BAJO VOLTAGE
 LOS CABLES DEL ESTATOR
 ESTARAN LOCALIZADOS
 EN LA TERMINAL L1 COMO
 SE MUESTRA ABAJO



NUMERO DE PARTE	ROJO L-T ENSAMBLE INTERRUPTOR A TABLILLA DE TERMINALES	CABLE ROJO DEL CAPACITOR AL INTERRUPTOR	AZUL L-T ENSAMBLE THST INTERRUPTOR A TABLILLA DE TERMINALES	NEGRO L-T ENSAMBLE THST A TABLILLA DE TERMINALES
604797-015	(058R18-NV-032-NV)	(058R18-FX-025-08)	(058BL14-NV-027-08)	(058BT16-KM-035-08)

CARACTERISTICAS DE GEOMETRIA Y SIMBOLOS
 ▤ PLANICIDAD
 - RECTITUD
 < ANGULARIDAD
 ⊥ PERPENDICULARIDAD (A ESCUADRA)
 // PARALELISMO
 ○ REDONDEZ (CIRCULARIDAD)
 ∅ CILINDRICIDAD
 △ PERFIL DE CUALQUIER SUPERFICIE
 ∇ PERFIL DE CUALQUIER LINEA
 ↗ VARIACION
 ⊕ POSICION REAL
 ⊙ CONCENTRICIDAD
 = SIMETRIA
 ASME Y14.5M 1994

A MENOS QUE SE ESPECIFIQUE DE OTRA MANERA, LAS TOLERANCIAS DE LAS DIMS; SON LAS SIGUIENTES:
 PULG ±.1 ±.02 ±.005 ±.0005
 mm ±0.5 ±0.13 ±0.013
 ANG. ±50 GRADOS
 ELIMINAR REBABAS Y ORILLAS FILOSAS DEL BORDE.
 PULG .003-.015 mm 0.1-0.4
 FILETEAR ESQUINA: PULG .020 mm 0.5
 MAQUINAR SUPERFICIES
 PULG 125 mm 3.2
 DIMS METRICAS MOSTRADAS [PARENTESIS]

DIBUJADO POR: CQ 07-28-1972
 APROBADO POR:
 TERCER ANGULO DE PROYECCION
 FECHA EDS: 11-11-2011
 REV. FORMATO: H
 CONFIDENCIAL: ESTE DIBUJO Y SU INFORMACION SON PROPIEDAD DE USO EXCLUSIVO Y CONFIDENCIAL DE REGAL-BELOIT CORPORATION. Y NO DEBERAN SER REVELADOS, DUPLICADOS, DISTRIBUIDOS O USARSE DE OTRA MANERA SIN EL CONSENTIMIENTO ESCRITO DE REGAL-BELOIT CORPORATION. -TODOS LOS DERECHOS RESERVADOS.

REGAL REGAL-BELOIT CORPORATION

DESCRIPCION:
 CONN DIAGRAM-EXTERNAL

TAMAÑO: C NUMERO DE DIBUJO: 604797-015
 ESCALA: NONE HOJA: 1