

# PRODUCT INFORMATION PACKET



Model No: BDH1076

Catalog No: BDH1076

Fan and Blower Motor, 3/4 HP, 1 Ph, 60 Hz, 460 V, 1075 RPM, 2 Speed, 48 Frame, SEMI ENCLOSED



Regal and Century are trademarks of Regal Rexnord Corporation or one of its affiliated companies.

©2022 Regal Rexnord Corporation, All Rights Reserved. MC017097E





**Nameplate Specifications**

Output HP	<b>3/4 Hp</b>	Output KW	<b>0.56 kW</b>
Frequency	<b>60 Hz</b>	Voltage	<b>460 V</b>
Current	<b>2.2 A</b>	Speed	<b>1075 rpm</b>
Service Factor	<b>1</b>	Phase	<b>1</b>
Duty	<b>Air Over</b>	Insulation Class	<b>B</b>
Frame	<b>48Y</b>	Enclosure	<b>Semi Enclosed</b>
Thermal Protection	<b>Automatic</b>	Ambient Temperature	<b>60 °C</b>
UL	<b>Recognized</b>	CSA	<b>Y</b>
CE	<b>N</b>	Number of Speeds	<b>2</b>

**Technical Specifications**

Electrical Type	<b>Permanent Split Capacitor</b>	Starting Method	<b>Across The Line</b>
Poles	<b>6</b>	Rotation	<b>Reversible</b>
Mounting	<b>Extended Studs</b>	Motor Orientation	<b>Horizontal</b>
Drive End Bearing	<b>Ball</b>	Opp Drive End Bearing	<b>Ball</b>
Frame Material	<b>Rolled Steel</b>	Shaft Type	<b>Flat</b>
Overall Length	<b>12.61 in</b>	Frame Length	<b>5.13 in</b>
Shaft Diameter	<b>0.500 in</b>	Shaft Extension	<b>6.4 in</b>
Connection Drawing	<b>614131-244</b>	Outline Drawing	<b>BDH1076-S01</b>

This is an uncontrolled document once printed or downloaded and is subject to change without notice. Date Created:11/29/2022

GENERAL INFORMATION:

SHAFT RUNOUT: .001 [.03] T.I.R. PER INCH LENGTH OF EXTENSION

BEARINGS: BALL

MOUNTING POSITION: HORIZONTAL

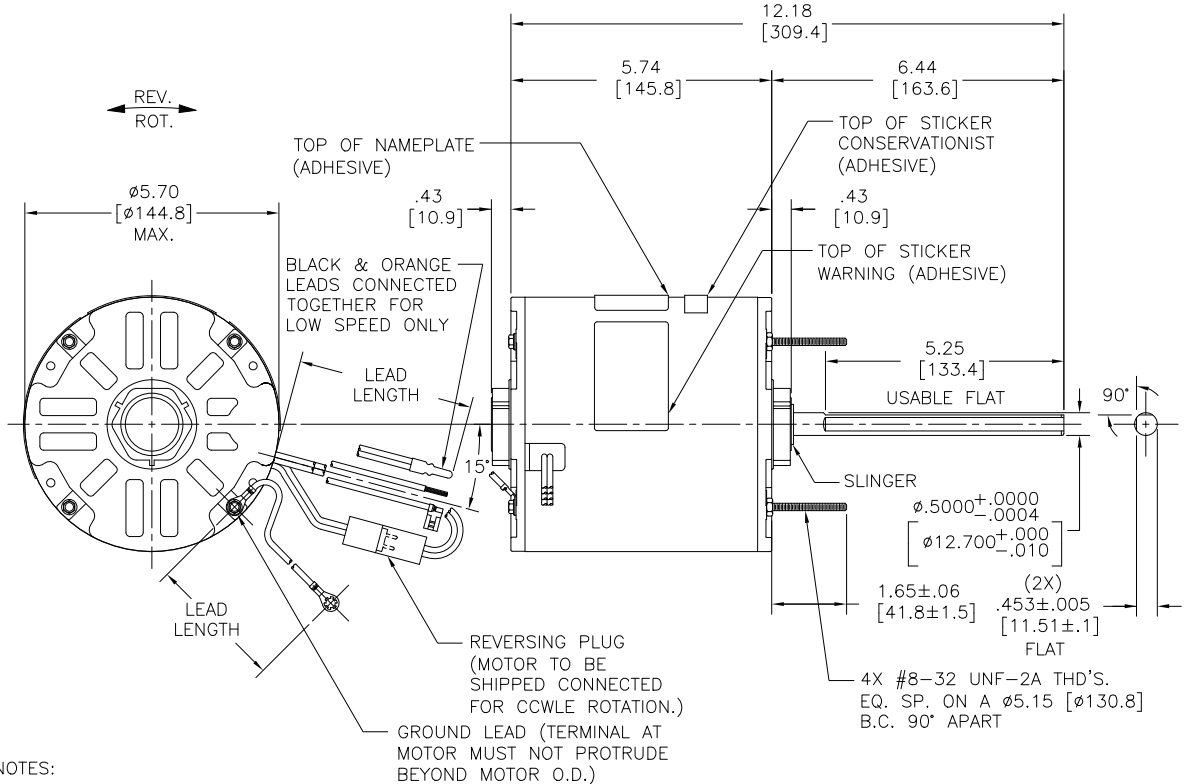
ELECTRICAL DATA:

OVERLOAD PROTECTOR: AUTOMATIC RESET (SENSATA 7AM 036)

LEADS: NO. 18 GA., .06 [1.5] THK. PVC 105°C INSUL.

REVERSING PLUGS: NO. 18 GA., .03 [.8] THK. XLP 125°C INSUL.

GROUND LEAD: NO. 18 GA., .03 [.8] THK. (GREEN) INSUL.



NOTES:

- (1) CAPACITOR 628316-317 TO BE PACKED SEPARATE WITH EACH MOTOR.
- DISTRIBUTION SERVICE CUST. P/N: BDH1076 GRAINGER CUST. P/N: 4MB97.
- THE SYMBOL OF CTQ: ▲ (NO CTQ ON THIS DRAWING)
- MEET THE REQUIREMENT OF ROHS AND REACH: SEE EP000014\_5.1

NAMEPLATE DATA:	EXTERNAL CONNECTION DIAGRAM
MODEL NO.: F48U70A01 CUST. P/N: SEE NOTE 2 HP: 3/4 ROT.: REVERSIBLE RPM: 1075/2 SPD. TYPE: UF FRAME: 48Y VOLTS: 460 PH: 1 AMPS: 2.2 HZ: 60 INS.: B AMB.: 60° C DUTY: AIR OVER CAP.: 15 MFD/370 V ENCL: SEMI-ENCL. UL LOGO CSA LOGO THERMALLY PROTECTED	
614131-244	

PERFORMANCE CURVE NO.	TORQUE @ 1075 RPM (25°C)	APPROVED SAMPLE	UL COMPONENT		CSA	
			FILE #	CCN #	FILE #	CLASS #
C31856	67.9 OZ. FT.	99AC220A	E46412	PRGY2	LR43341	4211-01

COLOR	LENGTH	TERMINAL OR STRIP LENGTH
GREEN (GROUND)	12.0/13.0 [305/330]	#10 EYELET
BLACK/WHITE	3.0/5.0 [76/127]	REVERSING PLUG
BROWN	26.0/28.0 [660/711]	.25 [6.4] FLAG
YELLOW	26.0/28.0 [660/711]	.60 [15.2] SKIN
BLACK	26.0/28.0 [660/711]	.60 [15.2] SKIN
ORANGE	26.0/28.0 [660/711]	.60 [15.2] SKIN
RED	26.0/28.0 [660/711]	.60 [15.2] SKIN

REGAL-BELOIT CORPORATION (RBC) PROVIDES TECHNICAL ASSISTANCE TO OUR CUSTOMERS IN SEVERAL AREAS. SINCE RBC DOES NOT RECEIVE ALL DATA CONCERNING THE USE AND APPLICATION OF THE MOTOR, THE SUITABILITY OF THE MOTOR FOR THE APPLICATION MUST BE DETERMINED BY THE CUSTOMER.

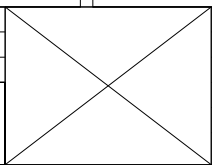
DIMENSIONS WITHOUT TOLERANCES ARE FOR REFERENCE ONLY.

MAIN FRAME - OLE	ENCLOSED
END FRAME - OLE	OPEN
MAIN FRAME - LE	ENCLOSED
END FRAME - LE	OPEN

CUSTOMER	DISTRIBUTION SERVICE
----------	----------------------

DRAWING REVISION	REVISION BY	DATE
F	J. RUPERT	10-08-2021
ECO	APPROVED BY	DATE
NMR-0210731	J. RUPERT	10-08-2021

ECO DESCRIPTION  
REVISED FOR UP ISSUE



DRAWN BY:	J. RUPERT
DATE:	05-09-2011
APPROVED BY:	J. RUPERT
DATE:	05-09-2011
PROCESS/FINISH	-
THIRD ANGLE PROJECTION	

DESCRIPTION	MODEL-RFHP-48FR OUTLINE
MATERIAL	-
SIZE	DWG NO
C	BDH1076
SHEET	1