

PRODUCT INFORMATION PACKET



Model No: BDH1054

Catalog No: BDH1054

Fan and Blower Motor, 1/2 HP, 1 Ph, 60 Hz, 460 V, 1625 RPM, 2 Speed, 48 Frame, SEMI ENCLOSED



Regal and Century are trademarks of Regal Rexnord Corporation or one of its affiliated companies.
©2022 Regal Rexnord Corporation, All Rights Reserved. MC017097E





Nameplate Specifications

Output HP	1/2 Hp	Output KW	0.37 kW
Frequency	60 Hz	Voltage	460 V
Current	1.4 A	Speed	1625 rpm
Service Factor	1	Phase	1
Duty	Air Over	Insulation Class	B
Frame	48Y	Enclosure	Semi Enclosed
Thermal Protection	Automatic	Ambient Temperature	60 °C
UL	Recognized	CSA	Y
CE	N	Number of Speeds	2

Technical Specifications

Electrical Type	Permanent Split Capacitor	Starting Method	Across The Line
Poles	4	Rotation	Reversible
Mounting	Extended Studs	Motor Orientation	Horizontal
Drive End Bearing	Ball	Opp Drive End Bearing	Ball
Frame Material	Rolled Steel	Shaft Type	Flat
Overall Length	12.24 in	Frame Length	4.75 in
Shaft Diameter	0.500 in	Shaft Extension	6.4 in
Connection Drawing	614131-104	Outline Drawing	11766-065-S01

This is an uncontrolled document once printed or downloaded and is subject to change without notice. Date Created:11/28/2022

4

3

2

1

REV	ECO	REV BY	DATE	APPD	DATE
B	0026452	J.M.RAMIREZ	05-29-2012	G.ALVIDREZ	05-29-2012

GENERAL INFORMATION:

SHAFT RUNOUT: .001[.03] T.I.R. PER INCH LENGTH OF EXTENSION.

BEARINGS: BALL

MOUNTING POSITION: HORIZONTAL

ELECTRICAL DATA:

OVERLOAD PROTECTOR: AUTOMATIC RESET (T.I. 7AM 036)

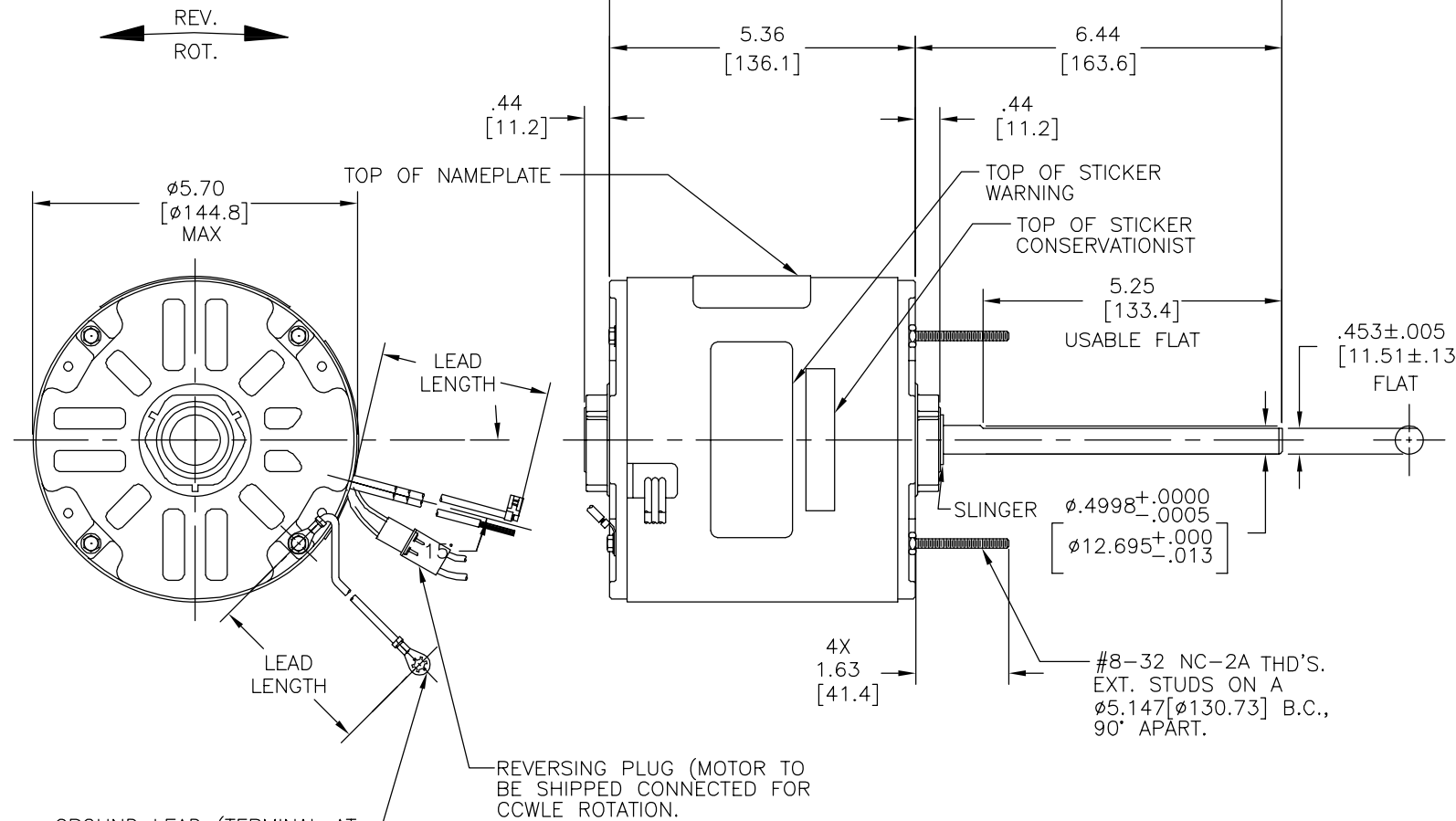
LEADS: NO. 18 GA, .06[1.5] THK., PVC 105°C INSUL.

REVERSING LEADS: NO. 18 GA, .03[.8] THK., 125°C INSUL.

GROUND LEAD: NO. 18 GA, .03[.8] THK., GREEN INSUL.

NOTES:

- DISTRIBUTION: CUST. P/N: BDH1054
GRAINGER: CUST. P/N: 4MB95



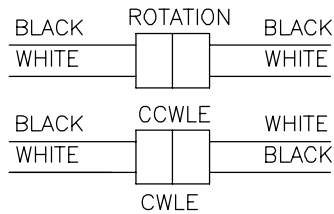
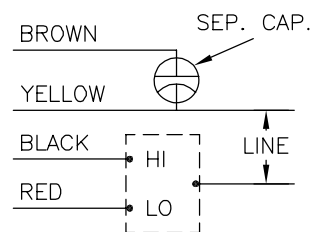
GROUND LEAD (TERMINAL AT MOTOR MUST NOT PROTRUDE BEYOND MOTOR O.D.).

REVERSING PLUG (MOTOR TO BE SHIPPED CONNECTED FOR CCWLE ROTATION).

NAMEPLATE DATA:

EXTERNAL CONNECTION DIAGRAM

MODEL NO.: F48U69A01
CUST. NO.: []
HP: 1/2
ROT: REVERSIBLE
RPM: 1625/2 SPD.
TYPE: UF
FRAME: 48Y
VOLTS: 460
PH: 1
AMPS: 1.4 (1.8 MAX.)
HZ: 60/50
INS: B
AMB: 60 °C
DUTY: AIR OVER
CAP.: 7.5 MFD/370 V
ENCL: SEMI-ENCL.
UL & CSA LOGO
THERMALLY PROTECTED



614131-104

GREEN(GRD)	12.0/13.0 [305/330]	#10 EYELET
BLACK/WHITE	3.0/5.0 [76/127]	REVERSING PLUG
BROWN	26.0/28.0 [660/711]	.25[6.4] FLAG
YELLOW	26.0/28.0 [660/711]	.60[15.2] SKIN
BLACK	26.0/28.0 [660/711]	.60[15.2] SKIN
RED	26.0/28.0 [660/711]	.60[15.2] SKIN
COLOR	LENGTH	TERMINAL OR STRIP LENGTH

MAIN FR.-OLE	ENCLOSED
END FR.-OLE	OPEN
MAIN FR.-LE	ENCLOSED
END FR.-LE	OPEN

CUST.	DISTRIBUTION SERVICE
-------	----------------------

PERFORMANCE CURVE NO.	TORQUE @1550 RPM (25°C)	APPROVED SAMPLE	UL COMPONENT FILE #	GUIDE #	CSA FILE #	GUIDE #
C23156	35.0 OZ. FT.	EX11297	E46412	PRGY2	LR43341	260-Ø-0

GEOMETRIC CHARACTERISTICS & SYMBOLS
 □ FLATNESS
 — STRAIGHTNESS
 < ANGLARITY
 ⊥ PERPENDICULARITY (SQUARENESS)
 // PARALLELISM
 ○ ROUNDNESS (CIRCULARITY)
 ∅ CYLINDRICITY
 △ PROFILE OF ANY SURFACE
 ∇ PROFILE OF ANY LINE
 ↗ RUNOUT
 ⊕ TRUE POSITION
 ⊙ CONCENTRICITY
 = SYMMETRY
 ASME Y14.5M 1994

REGAL-BELOIT CORPORATION (RBC) PROVIDES TECHNICAL ASSISTANCE TO OUR CUSTOMERS IN SEVERAL AREAS. SINCE RBC DOES NOT RECEIVE ALL DATA CONCERNING THE USE AND APPLICATION OF THE MOTOR, THE SUITABILITY OF THE MOTOR FOR THE APPLICATION MUST BE DETERMINED BY THE CUSTOMER.

DIMENSIONS WITHOUT TOLERANCES ARE FOR REFERENCE ONLY.

DR BY: GORDON 05-20-2004
 APPD: GORDON 05-20-2004
 THIRD ANGLE PROJECTION
 EDS DATE 11-11-2011
 FORMAT REV H
 CONFIDENTIAL: THIS DRAWING AND ITS INFORMATION ARE THE EXCLUSIVE AND CONFIDENTIAL PROPERTY OF REGAL-BELOIT CORPORATION AND ARE NOT TO BE DISCLOSED, DUPLICATED, DISTRIBUTED OR OTHERWISE USED WITHOUT THE WRITTEN CONSENT OF REGAL-BELOIT CORPORATION. -ALL RIGHTS RESERVED.

REGAL REGAL-BELOIT CORPORATION

DESCRIPTION: MODEL-RFHP-48FR OUTLINE

SIZE: C DWG NO: 11766-065

SCALE: NONE SHEET: 1

4

3

2

1

4 3 2 1

REVISION:	ECO	REVISADO POR:	FECHA:	APROBADO POR:	FECHA:
B	0026452	J.M.RAMIREZ	05-29-2012	G.ALVIDREZ	05-29-2012

INFORMACION GENERAL:

OSCILACION DE FLECHA: .001[.03] L.T.I. POR LONGITUD DE EXTENSION.

BALEROS: BALIN

POSICION DE MONTAJE: HORIZONTAL

DATOS ELECTRICOS:

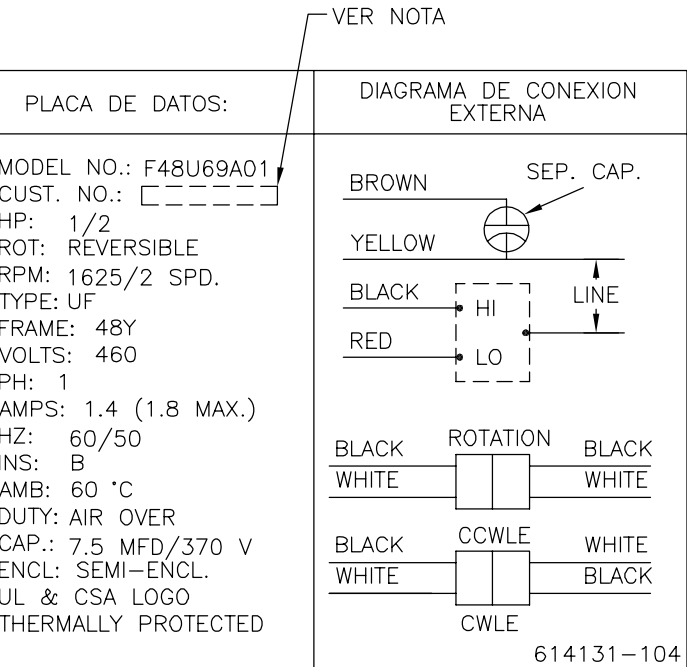
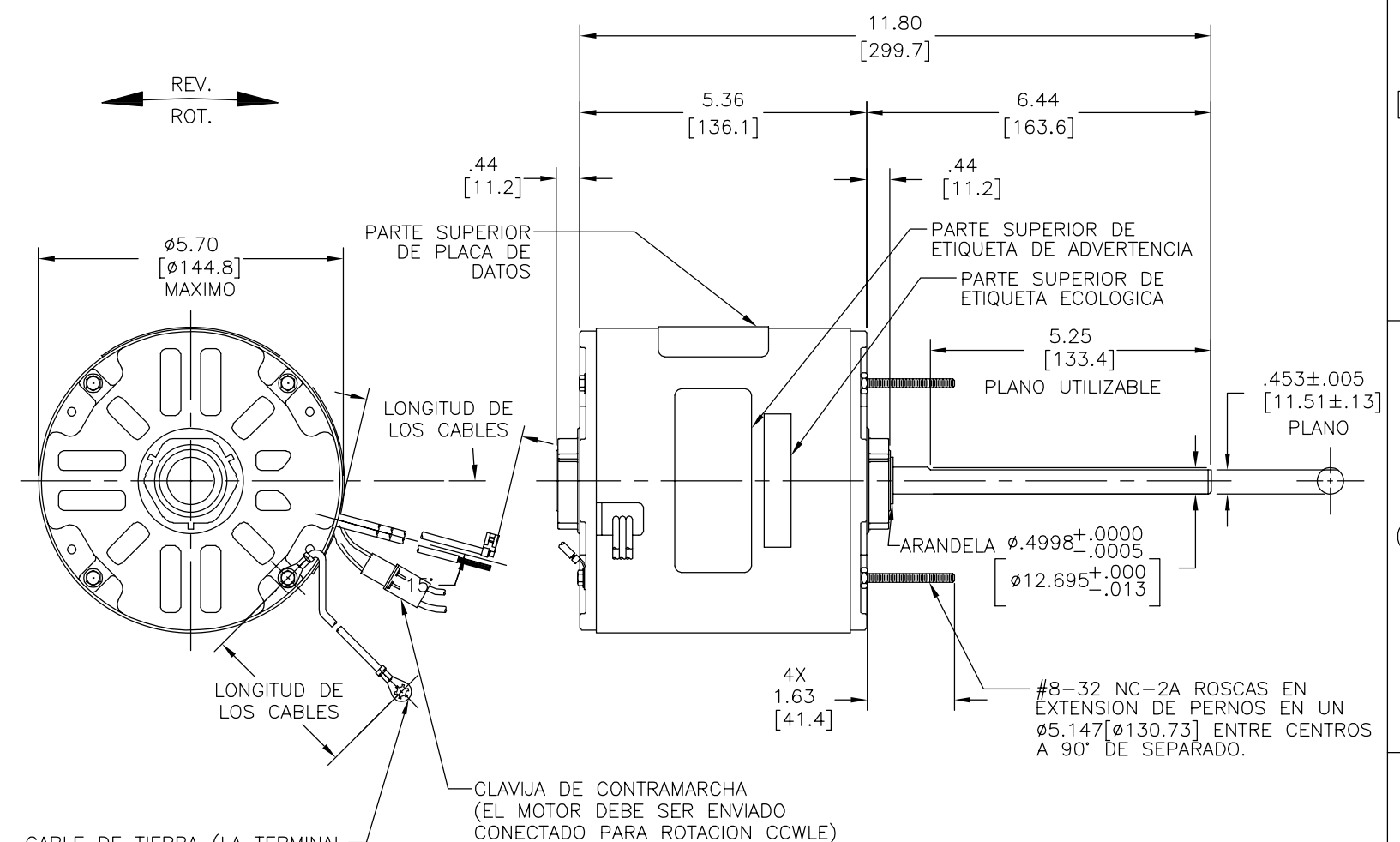
SOBRECARGA DEL PROTECTOR: REINICIO AUTOMATICO (T.I. 7AM 036)

CABLES: CALIBRE 18 AISLANTE .06[1.5] GROSOR, PVC 105°C.

CABLES DE CONTRAMARCA: CALIBRE 18 AISLANTE .03[.8] GROSOR, 125°C.

CABLE DE TIERRA: CALIBRE 18 AISLANTE .03[.8] GROSOR, VERDE.

NOTA:
DISTRIBUTION: NUMERO DE PARTE DEL CLIENTE: BDH1054
GRAINGER: NUMERO DE PARTE DEL CLIENTE: 4MB95



CABLE DE TIERRA (LA TERMINAL NO DEBE RESALTAR MAS ALLA DEL DIAMETRO EXTERIOR DEL MOTOR)

CLAVIJA DE CONTRAMARCA (EL MOTOR DEBE SER ENVIADO CONECTADO PARA ROTACION CCWLE)

VERDE(TIERRA)	12.0/13.0 [305/330]	TERMINAL DE ANILLO #10
NEGRO/BLANCO	3.0/5.0 [76/127]	CLAVIJA DE CONTRAMARCA
CAFE	26.0/28.0 [660/711]	.25[6.4] BANDERA
AMARILLO	26.0/28.0 [660/711]	.60[15.2] DESFORRE
NEGRO	26.0/28.0 [660/711]	.60[15.2] DESFORRE
ROJO	26.0/28.0 [660/711]	.60[15.2] DESFORRE
COLOR	LONGITUD	TERMINAL O LONGITUD DE DESFORRE

CARCAZA-OLE	ENCERRADO
TAPA-OLE	ABIERTO
CARCAZA-LE	ENCERRADO
TAPA-LE	ABIERTO

CLIENTE	DISTRIBUTION SERVICE
---------	----------------------

CURVA DE DESEMPEÑO	TORSION @1550 RPM (25°C)	MUESTRA APROBADA	COMPONENTE UL		CSA	
			ARCHIVO #	GUIA #	ARCHIVO #	GUIA #
C23156	35.0 OZ. FT.	EX11297	E46412	PRGY2	LR43341	260-Ø-0

CARACTERISTICAS DE GEOMETRIA Y SIMBOLOS

- PLANICIDAD
- RECTITUD
- ∠ ANGULARIDAD
- ⊥ PERPENDICULARIDAD (A ESCUADRA)
- // PARALELISMO
- REDONDEZ (CIRCULARIDAD)
- ∅ CILINDRICIDAD
- △ PERFIL DE CUALQUIER SUPERFICIE
- ∧ PERFIL DE CUALQUIER LINEA
- ∧ VARIACION
- ⊕ POSICION REAL
- ⊙ CONCENTRICIDAD
- = SIMETRIA

ASME Y14.5M 1994

REGAL-BELOIT CORPORATION (RBC) PROVEE ASISTENCIA TECNICA A NUESTROS CLIENTES EN VARIAS AREAS, DESDE QUE RBC NO RECIBE TODOS LOS DATOS EN RELACION AL USO Y A LA APLICACION DEL MOTOR, LA APLICACION ADECUADA DEL MOTOR DEBE SER DETERMINADA POR EL CLIENTE.

DIMENSIONES SIN TOLERANCIA SON DE REFERENCIA SOLAMENTE

DIBUJADO POR: GORDON 05-20-2004

APROBADO POR: GORDON 05-20-2004

TERCER ANGULO DE PROYECCION

FECHA EDS: 11-11-2011

REV. FORMATO: H

CONFIDENCIAL: ESTE DIBUJO Y SU INFORMACION SON PROPIEDAD DE USO EXCLUSIVO Y CONFIDENCIAL DE REGAL-BELOIT CORPORATION. Y NO DEBERAN SER REVELADOS, DUPLICADOS, DISTRIBUIDOS O USARSE DE OTRA MANERA SIN EL CONSENTIMIENTO ESCRITO DE REGAL-BELOIT CORPORATION. -TODOS LOS DERECHOS RESERVADOS.

REGAL REGAL-BELOIT CORPORATION

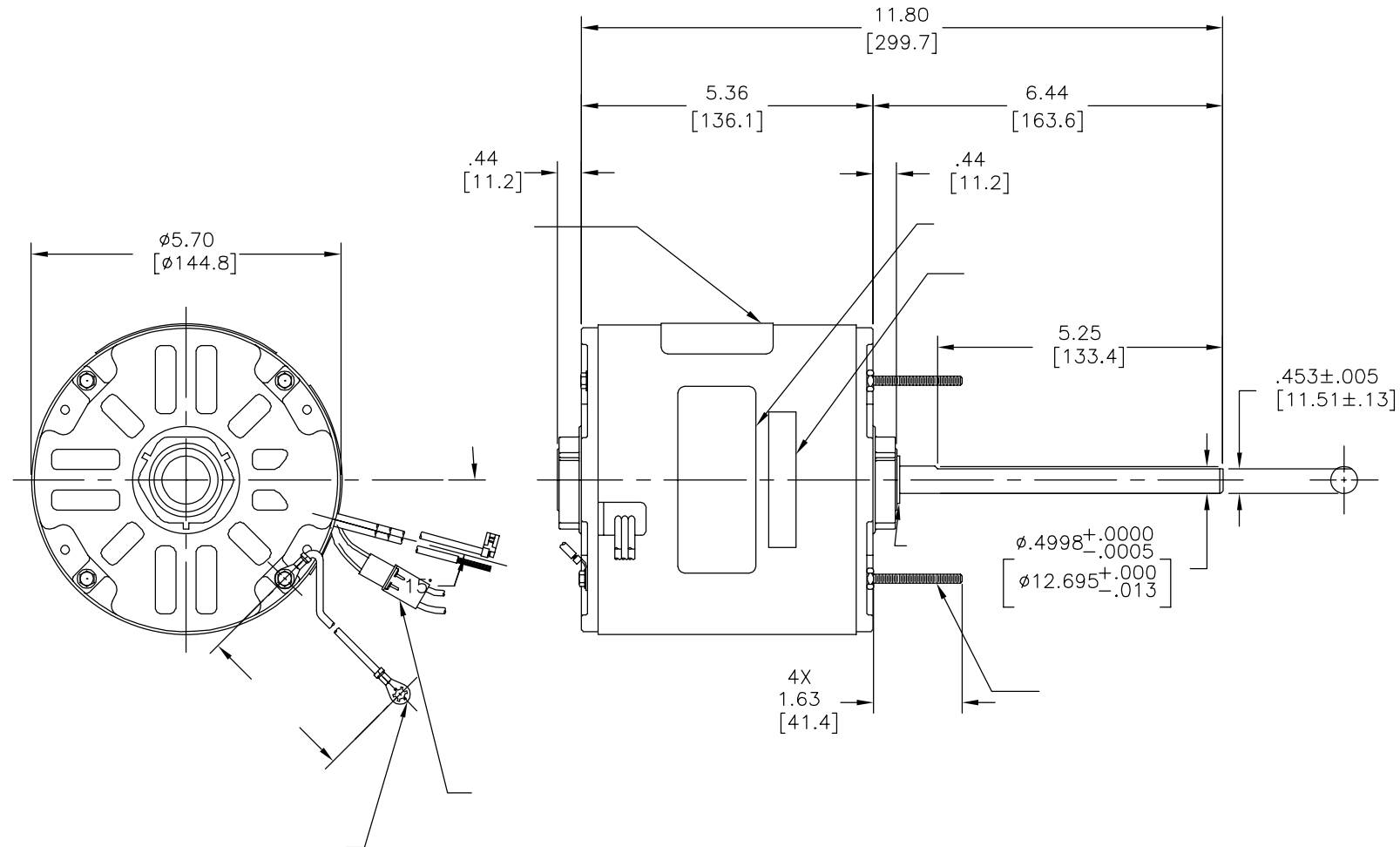
DESCRIPCION: MODEL-RFHP-48FR OUTLINE

TAMAÑO: C NUMERO DE DIBUJO: 11766-065

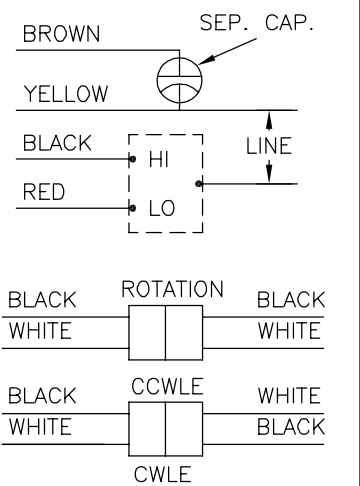
ESCALA: NONE HOJA: 1

4 3 2 1

版本	ECO	编制	日期	批准	日期
B	0026452	J.M.RAMIREZ	05-29-2012	G.ALVIDREZ	05-29-2012



MODEL NO.: F48U69A01
 CUST. NO.: []
 HP: 1/2
 ROT: REVERSIBLE
 RPM: 1625/2 SPD.
 TYPE: UF
 FRAME: 48Y
 VOLTS: 460
 PH: 1
 AMPS: 1.4 (1.8 MAX.)
 HZ: 60/50
 INS: B
 AMB: 60 °C
 DUTY: AIR OVER
 CAP.: 7.5 MFD/370 V
 ENCL: SEMI-ENCL.
 UL & CSA LOGO
 THERMALLY PROTECTED



614131-104

	12.0/13.0	
	[305/330]	
	3.0/5.0	
	[76/127]	
	26.0/28.0	
	[660/711]	
	26.0/28.0	
	[660/711]	
	26.0/28.0	
	[660/711]	

DISTRIBUTION SERVICE

C23156	35.0 OZ. FT.	EX11297	E46412	PRGY2	LR43341	260-φ-0
--------	--------------	---------	--------	-------	---------	---------

- 形位公差
- 平面度
- 直线度
- ∠ 倾斜度
- ⊥ 垂直度
- // 平行度
- 圆度
- ⊘ 圆柱度
- ⊙ 面轮廓度
- △ 线轮廓度
- ↗ 圆跳动
- ⊕ 位置度
- ⊙ 同轴度
- ≡ 对称度

ASME Y14.5M 1994

REGAL-BELOIT CORPORATION (RBC) 在个别领域为客户提供技术支持。鉴于RBC未收到任何涉及电机使用和应用环境的数据，电机的适用性由客户自己决定。

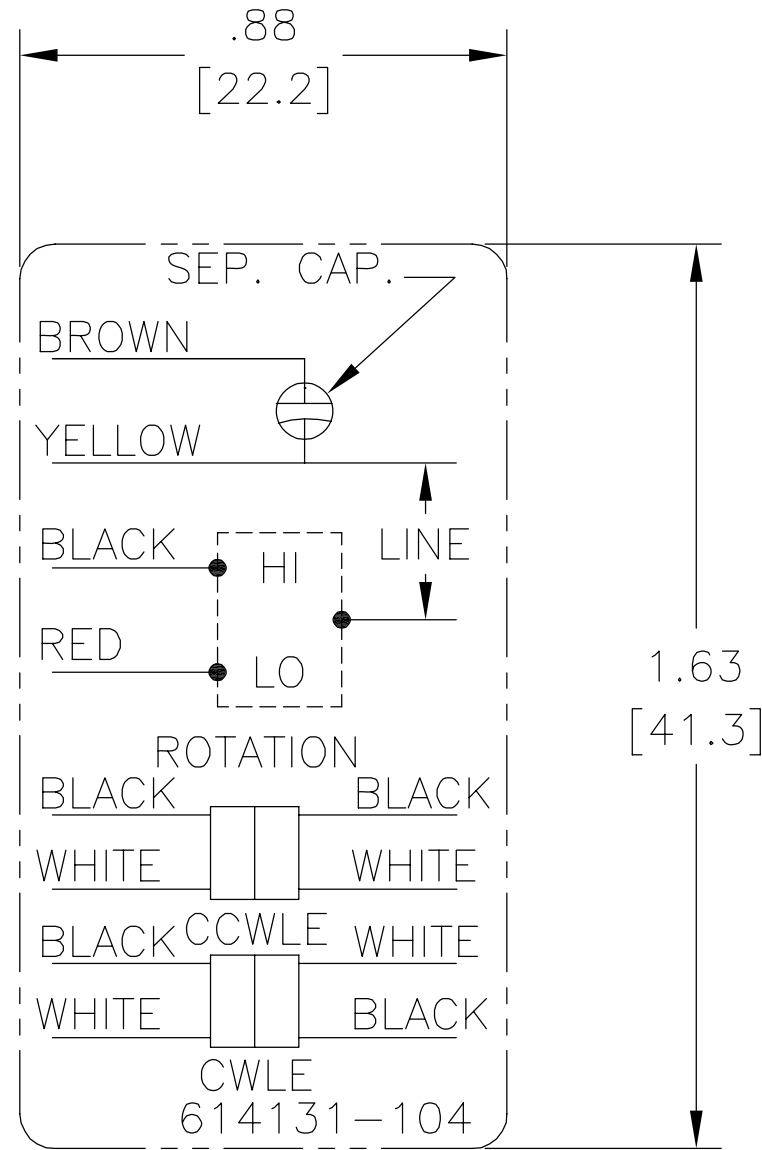
未注公差尺寸仅供参考。

绘图: GORDON 05-20-2004
 批准: GORDON 05-20-2004
 第三角投影
 机密: 本图纸及相关信息所有权归REGAL-BELOIT CORPORATION。未经REGAL-BELOIT CORPORATION书面授权, 不得泄露、复制或传播作其他用途。—版权所有



名称: MODEL-RFHP-48FR OUTLINE
 图幅: C 图号: 11766-065
 比例: NONE 页号: 1

REV	ECO	REV BY	DATE	APPD	DATE
A	ECO-0018859	jrupert	02-21-011	triley	02-21-2011



NOTES:

1. FOR USE WITH 614129 NAMEPLATE BLANK
2. — — — — — INDICATES DIMENSION LIMITS
3. DIE TO BE MADE FROM MASTER SUPPLIED BY A. O. SMITH CORPORATION
4. DIE MUST PRODUCE A LEGIBLE IMPRESSION.

GEOMETRIC CHARACTERISTICS & SYMBOLS

- ▭ FLATNESS
- STRAIGHTNESS
- ∠ ANGULARITY
- ⊥ PERPENDICULARITY (SQUARENESS)
- // PARALLELISM
- ROUNDNESS (CIRCULARITY)
- ⊘ CYLINDRICITY
- △ PROFILE OF ANY SURFACE
- ∩ PROFILE OF ANY LINE
- ↑ RUNOUT
- ⊕ TRUE POSITION
- ◎ CONCENTRICITY
- ≡ SYMMETRY

UNLESS OTHERWISE SPECIFIED
DIM. TOLERANCES ARE AS FOLLOWS:

INCH	±.1	±.02	±.005	±.0005
mm	±0.5	±0.13	±0.013	

ANG. ±.50 DEG

REMOVE BURRS & BREAK SHARP EDGES:
INCH .003-.015 mm 0.1-0.4

CORNER FILLETS TO:
INCH .020 mm 0.5

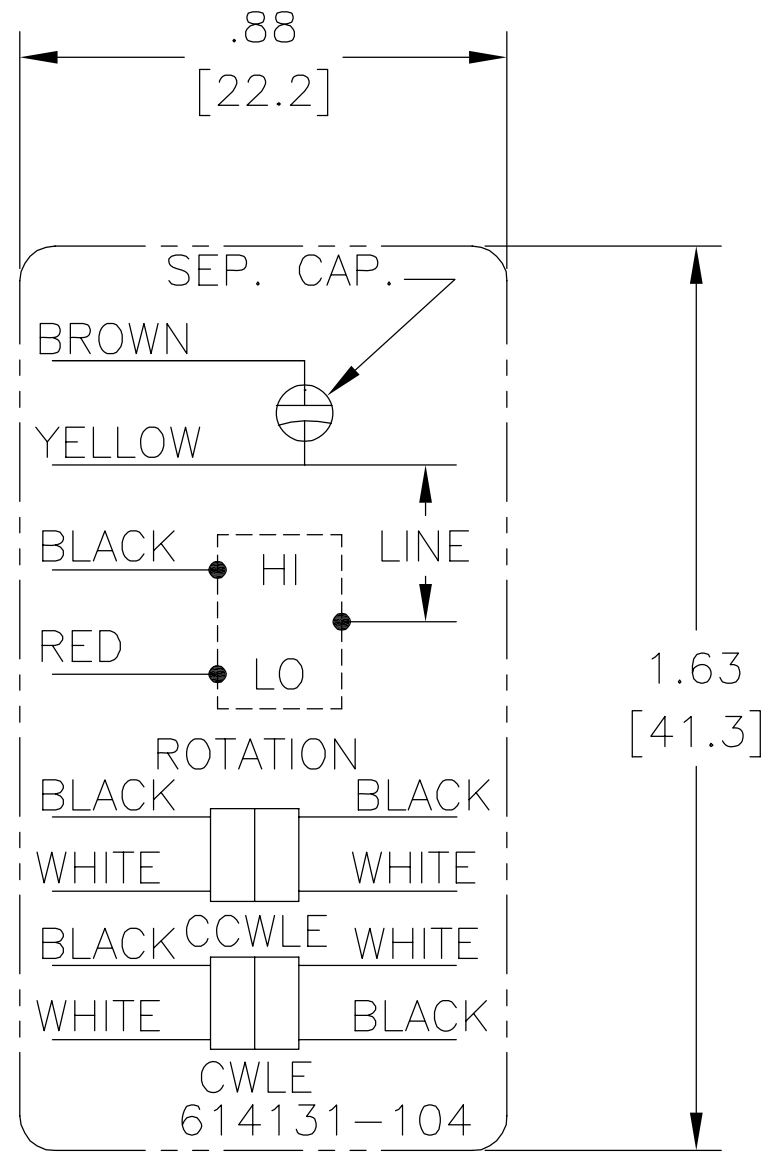
MACHINE SURFACES:
INCH 125 mm 3.2

METRIC DIMS. SHOWN IN [BRACKETS]

DR BY:	jrupert	02-21-2011
APPD:	triley	02-21-2011
THIRD ANGLE PROJECTION		EDS DATE 02-22-2008 FORMAT REV F
CONFIDENTIAL: THIS DRAWING AND ITS INFORMATION ARE THE EXCLUSIVE AND CONFIDENTIAL PROPERTY OF A.O. SMITH CORP. AND ARE NOT TO BE DISCLOSED, DUPLICATED, DISTRIBUTED OR OTHERWISE USED WITHOUT THE WRITTEN CONSENT OF A.O. SMITH CORP. -ALL RIGHTS RESERVED. ASME Y14.5M 1994		

		ELECTRICAL PRODUCTS COMPANY <small>A DIVISION OF A. O. SMITH CORPORATION</small>	
DESCRIPTION CONN DIAGRAM EXTERNAL			
SIZE	A	DWG NO	614131-104
SCALE	NONE	SHEET	1

REVISION:	ECO	REVISADO POR:	FECHA:	APROBADO POR:	FECHA:
A	ECO-0018859	jrupert	02-21-011	triley	02-21-2011



NOTES:

1. FOR USE WITH 614129 NAMEPLATE BLANK
2. ——— ——— INDICATES DIMENSION LIMITS
3. DIE TO BE MADE FROM MASTER SUPPLIED BY A. O. SMITH CORPORATION
4. DIE MUST PRODUCE A LEGIBLE IMPRESSION.

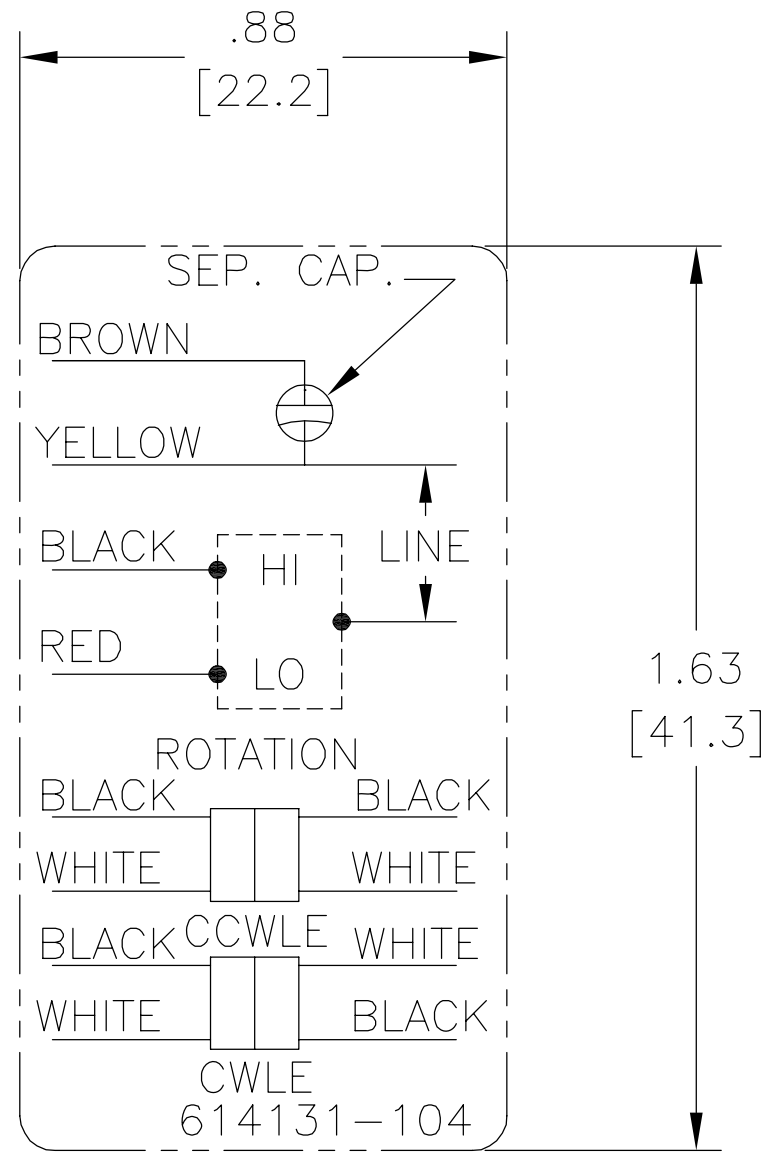
CARACTERISTICAS DE GEOMETRIA Y SIMBOLOS ▭ PLANICIDAD — RECTITUD < ANGULARIDAD ⊥ PERPENDICULARIDAD (A ESCUADRA) // PARALELISMO ○ REDONDEZ (CIRCULARIDAD) ∅ CILINDRICIDAD ∩ PERFIL DE CUALQUIER SUPERFICIE ∪ PERFIL DE CUALQUIER LINEA ↑ VARIACION ⊕ POSICION REAL ⊙ CONCENTRICIDAD ≡ SIMETRIA

A MENOS QUE SE ESPECIFIQUE DE OTRA MANERA, LAS TOLERANCIAS DE LAS DIMS; SON LAS SIGUIENTES: X XX XXX XXXX PULG ±.1 ±.02 ±.005 ±.0005 mm ±0.5 ±0.13 ±0.013 ANG. ±.50 GRADOS ELIMINAR REBABAS Y ORILLAS FILOSAS DEL BORDE. PULG .003-.015 mm 0.1-0.4 FILETEAR ESQUINA: PULG .020 mm 0.5 MAQUINAR SUPERFICIES PULG 125 mm 3.2 DIMS METRICAS MOSTRADAS [PARENTESIS]

DIBUJADO POR:	jrupert	02-21-2011
APROBADO POR:	triley	02-21-2011
TERCER ANGULO DE PROYECCION		FECHA EDS: 02-22-2008 REV. FORMATO: F
CONFIDENCIAL: ESTE DIBUJO Y SU INFORMACION SON PROPIEDAD DE USO EXCLUSIVO Y CONFIDENCIAL DE A.O.SMITH CORP. Y NO DEBERAN SER REVELADOS, DUPLICADOS, DISTRIBUIDOS O USARSE DE OTRA MANERA SIN EL CONSENTIMIENTO ESCRITO DE A.O. SMITH CORP. -TODOS LOS DERECHOS RESERVADOS.ASME Y14.5M 1994		

ELECTRICAL PRODUCTS COMPANY A DIVISION OF A. O. SMITH CORPORATION	
DESCRIPCION:	
CONN DIAGRAM EXTERNAL	
TAMAÑO: A	NUMERO DE DIBUJO: 614131-104
ESCALA: NONE	HOJA: 1

??	ECO	??	??	??
A	ECO-0018859	jrupert	02-21-011	triley



NOTES:

1. FOR USE WITH 614129 NAMEPLATE BLANK
2. ——— ——— INDICATES DIMENSION LIMITS
3. DIE TO BE MADE FROM MASTER SUPPLIED BY A. O. SMITH CORPORATION
4. DIE MUST PRODUCE A LEGIBLE IMPRESSION.

<p>□ ????</p> <p>— ????</p> <p>∠ ????</p> <p>⊥ ????</p> <p>// ????</p> <p>○ ????</p> <p>⊗ ????</p> <p>△ ????</p> <p>∩ ????</p> <p>↑ ????</p> <p>⊕ ????</p> <p>⊙ ????</p> <p>≡ ????</p>	<p>?????</p> <p>???????</p> <p>?? X XX XXX XXXX</p> <p>?? ±.1 ±.02 ±.005 ±.0005</p> <p>?? ±0.5 ±0.13 ±0.013</p> <p>?? ±.50 ?</p> <p>???????</p> <p>?? .003-.015 ?? 0.1-0.4</p> <p>???</p> <p>?? .020 ?? 0.5</p> <p>?????</p> <p>?? 125 ?? 3.2</p> <p>???????</p>	<p>??:</p> <p>jrupert 02-21-2011</p> <p>??:</p> <p>triley 02-21-2011</p> <p>?????</p> <p>⊕ ⊲</p> <p>???????</p> <p>02-22-2008</p> <p>???????</p> <p>F</p> <p>??: ??????????????A.O.SMITH?????</p> <p>??A.O.SMITH????????????????????</p> <p>??????-?????</p>	<p>ASME Y14.5M 1994</p>
--	--	--	-------------------------

		<p>ELECTRICAL PRODUCTS COMPANY</p> <p>A DIVISION OF A. O. SMITH CORPORATION</p>	
<p>CONN DIAGRAM EXTERNAL</p>			
??	A	??	614131-104
??	NONE	??	1