

PRODUCT INFORMATION PACKET



Model No: B722L

Catalog No: B722L

Fan and Blower Motor, 1.5 HP, 1 Ph, 60 Hz, 208-230/115 V, 3600 RPM, L56 Frame, DP



Regal and Century are trademarks of Regal Rexnord Corporation or one of its affiliated companies.

©2023 Regal Rexnord Corporation, All Rights Reserved. MC017097E





Nameplate Specifications

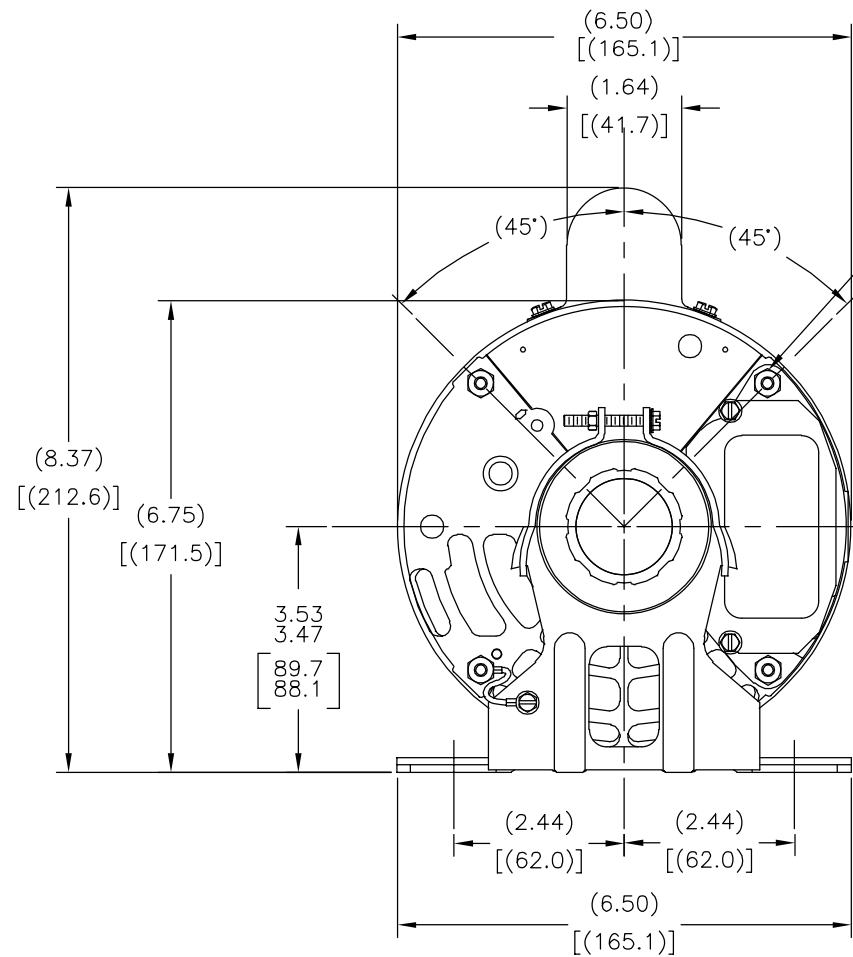
Phase	1	Output HP	1.5 Hp
Output KW	1.1 kW	Voltage	208-230/115 V
Speed	3450 rpm	Service Factor	1.20
Frame	L56	Enclosure	Drip Proof
Thermal Protection	Thermally Protected	Ambient Temperature	40 °C
Frequency	60 Hz	Current	8.6-8.0/16.0 A
Duty	Continuous	Insulation Class	B
UL	Recognized	CSA	Y
CE	N	Number of Speeds	1

Technical Specifications

Electrical Type	Capacitor Start, Induction Run, Single Or Dual Voltage	Starting Method	Across The Line
Poles	2	Rotation	Reversible Counterclockwise
Mounting	Cushion Base	Drive End Bearing	Ball
Opp Drive End Bearing	Ball	Frame Material	Rolled Steel
Shaft Type	Keyed	Overall Length	12.19 in
Frame Length	6.25 in	Shaft Diameter	0.625 in
Shaft Extension	1.94 in		
Outline Drawing	B722L-S01	Connection Drawing	17050321.PCX

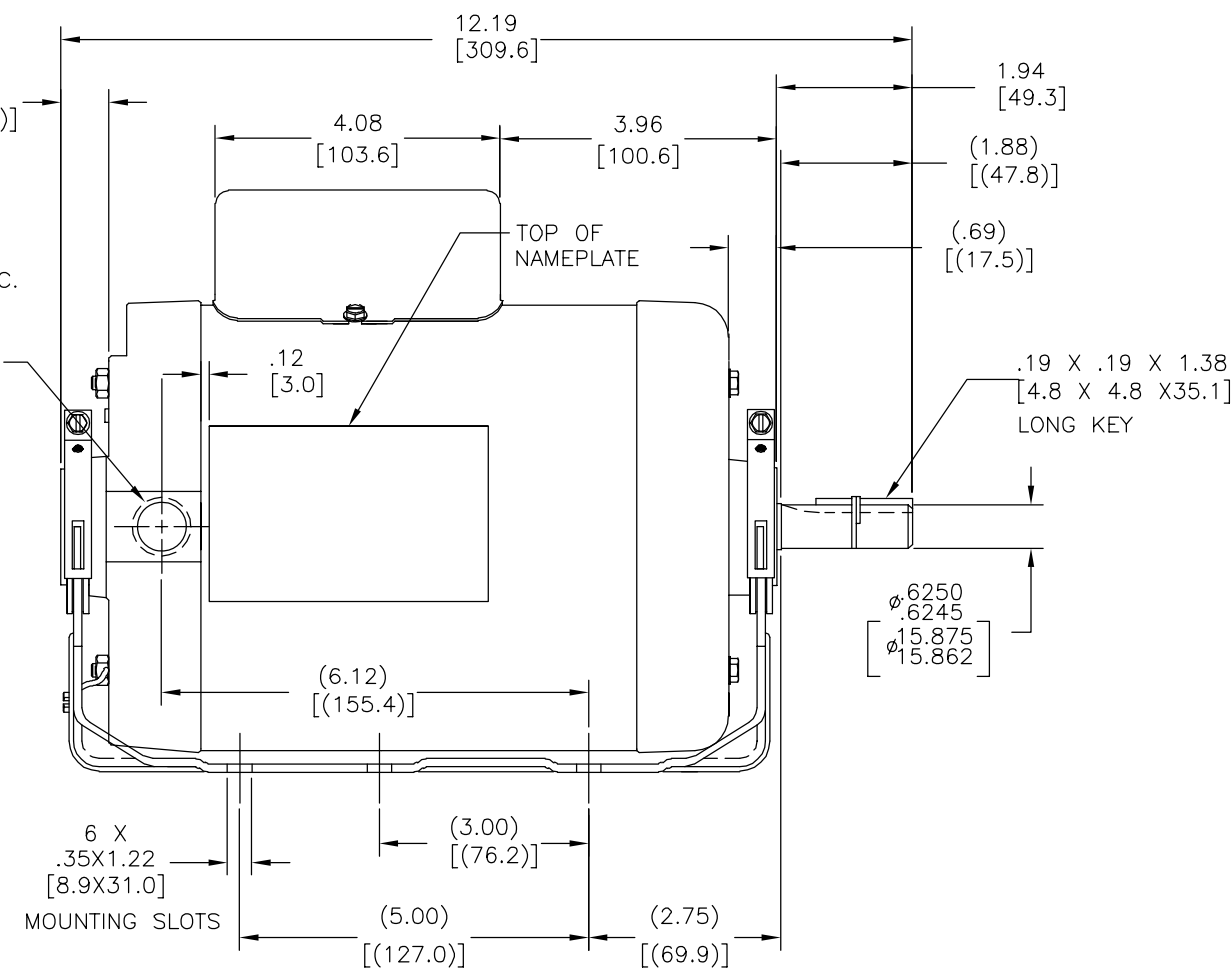
This is an uncontrolled document once printed or downloaded and is subject to change without notice. Date Created:09/27/2023

REV	ECO	REV BY	DATE	APPD	DATE
C	0025533	E.SINECIO	04-24-2012	R.RASCON	04-24-2012

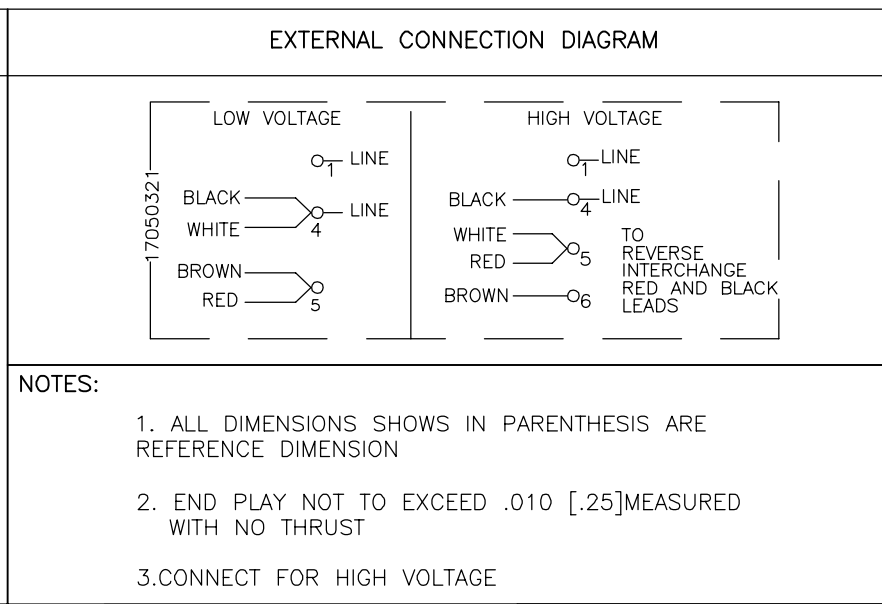


10-32 UNF-2A THRU-BOLTS ON A $\phi 5.812$ [147.62] B.C.

1/2-14 NPSM WITH CAP



NAMEPLATE DATA
MODEL: 196424 CUST. P/N: B722L HP: 1.5 SF: 1.2 ROT: RCC RPM: 3450 TYPE: CS CODE: J FRAME: L 56 VOLTS: 208-230/115 AMPS: 8.6-8.0/16.0 MAX AMPS: . PH: 1 HZ: 60 INS: B AMB: 40°C DUTY: CONT THERMALLY PROTECTED



PERFORMANCE CURVE NO.	APPROVED SAMPLE OR REF. MODEL
15554521	.
UL COMPONENT	
FILE#	CCN#
E14663	XEWR2
ENCLOSURE: ODP	
MOTOR ASSEMBLY (REF.): 2010647-001	
CUSTOMER: DISTRIBUTION	

GEOMETRIC CHARACTERISTICS & SYMBOLS
□ FLATNESS — STRAIGHTNESS ∠ ANGULARITY ⊥ PERPENDICULARITY (SQUARENESS) ∥ PARALLELISM ○ ROUNDNESS (CIRCULARITY) ∅ CYLINDRICITY △ PROFILE OF ANY SURFACE ∩ PROFILE OF ANY LINE ↗ RUNOUT ⊕ TRUE POSITION ⊙ CONCENTRICITY = SYMMETRY

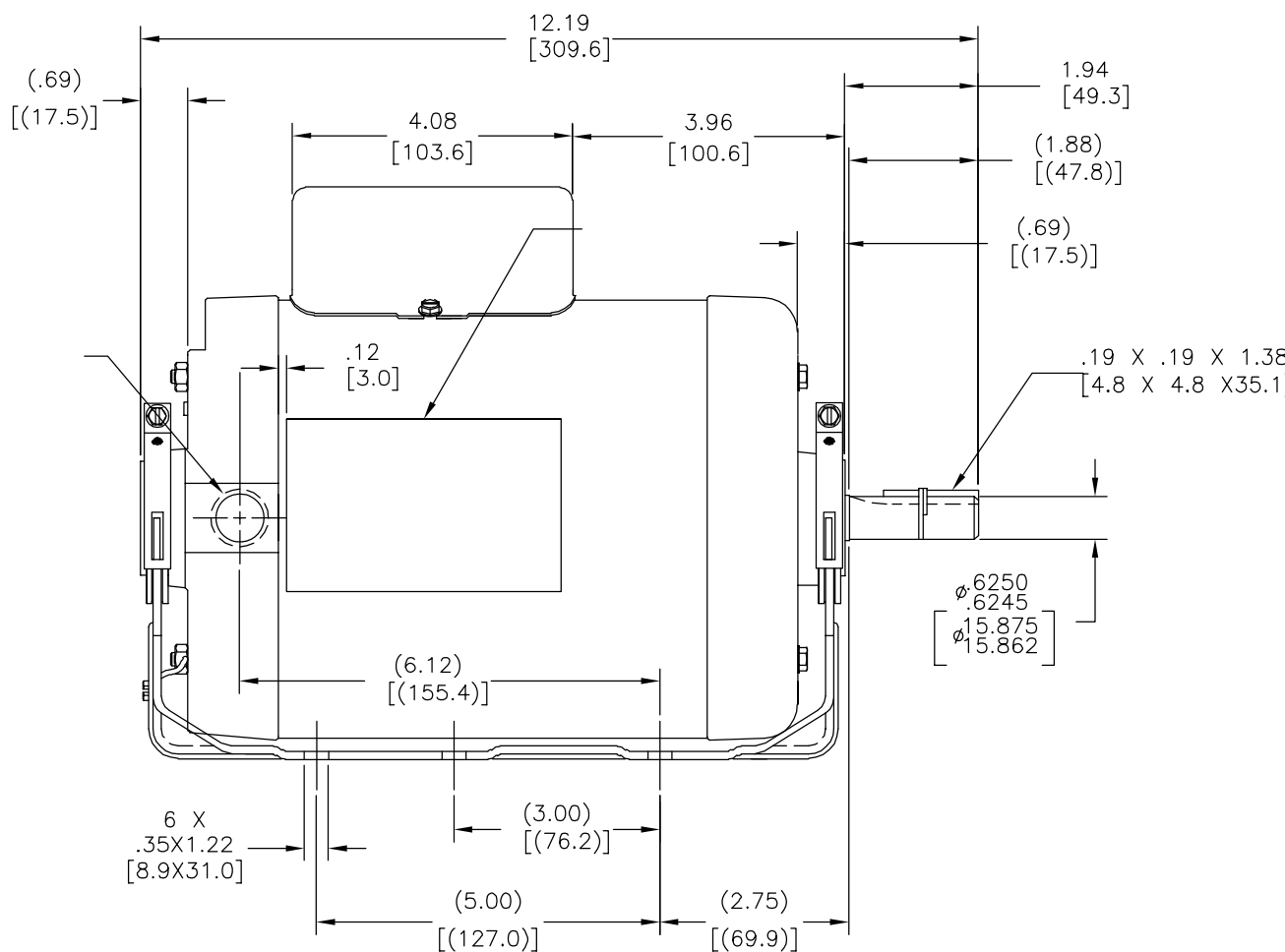
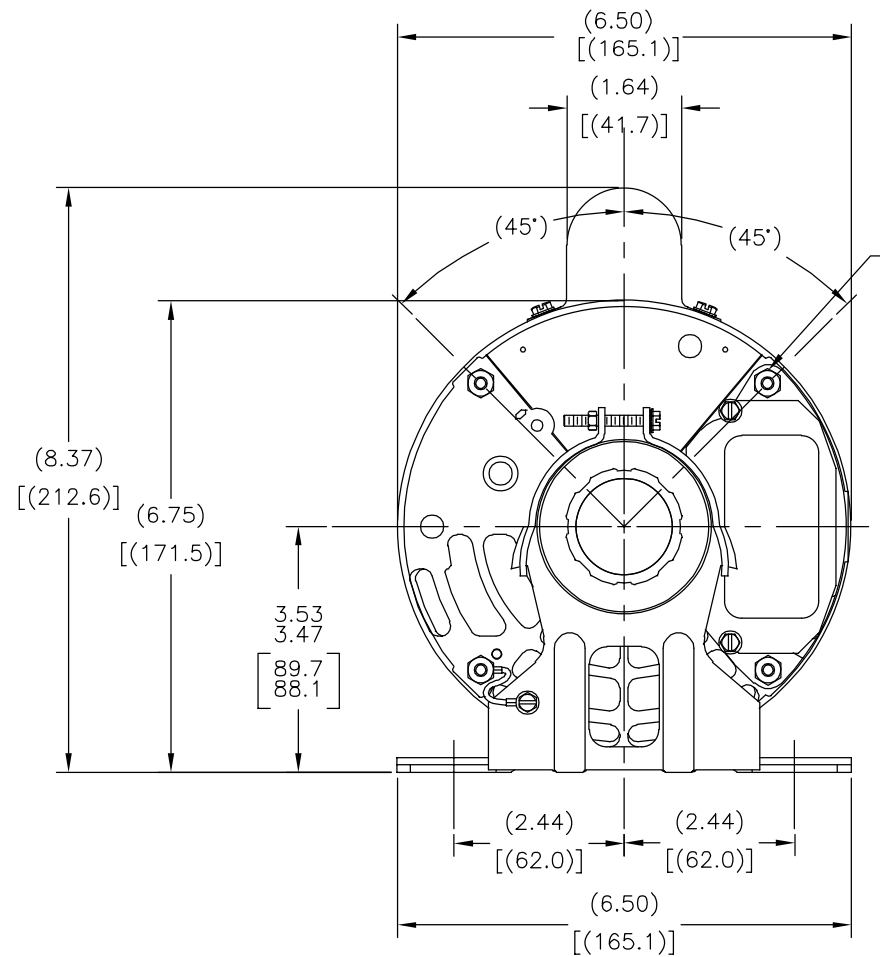
UNLESS OTHERWISE SPECIFIED DIM. TOLERANCES ARE AS FOLLOWS:
INCH X XX XXX XXXX $\pm .1 \pm .02 \pm .005 \pm .0005$ mm $\pm 0.5 \pm 0.13 \pm 0.013$ ANG. $\pm .50$ DEG REMOVE BURRS & BREAK SHARP EDGES: INCH .003-.015 mm 0.1-0.4 CORNER FILLETS TO: INCH .020 mm 0.5 MACHINE SURFACES: INCH 125 mm 3.2

METRIC DIMS. SHOWN IN [BRACKETS]
ASME Y14.5M 1994

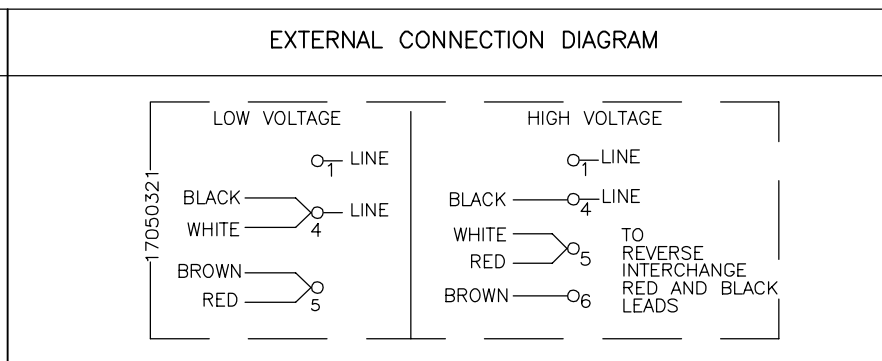
DR BY: TZ	11-08-2007
APPD: MO	01-10-2008
THIRD ANGLE PROJECTION	EDS DATE 02-22-2008 FORMAT REV G
CONFIDENTIAL: THIS DRAWING AND ITS INFORMATION ARE THE EXCLUSIVE AND CONFIDENTIAL PROPERTY OF REGAL-BELOIT CORPORATION AND ARE NOT TO BE DISCLOSED, DUPLICATED, DISTRIBUTED OR OTHERWISE USED WITHOUT THE WRITTEN CONSENT OF REGAL-BELOIT CORPORATION. -ALL RIGHTS RESERVED.	

DESCRIPTION	
MODEL-CFHP-56FR OUTLINE	
SIZE C	DWG NO B722L
SCALE NONE	SHEET 1

REVISION:	ECO	REVISADO POR:	FECHA:	APROBADO POR:	FECHA:
C	0025533	E.SINECIO	04-24-2012	R.RASCON	04-24-2012



NAMEPLATE DATA
MODEL: 196424
CUST. P/N: B722L
HP: 1.5
SF: 1.2
ROT: RCC
RPM: 3450
TYPE: CS
CODE: J
FRAME: L 56
VOLTS: 208-230/115
AMPS: 8.6-8.0/16.0
MAX AMPS: .
PH: 1
HZ: 60
INS: B
AMB: 40°C
DUTY: CONT
THERMALLY PROTECTED



NOTES:

PERFORMANCE CURVE NO.	APPROVED SAMPLE OR REF. MODEL
15554521	.
UL COMPONENT	
FILE#	CCN#
E14663	XEWR2
ENCLASURE: ODP	
MOTOR ASSEMBLY (REF.): 2010647-001	
CUSTOMER: DISTRIBUTION	

CARACTERISTICAS DE GEOMETRIA Y SIMBOLOS

- PLANICIDAD
- RECTITUD
- ∠ ANGULARIDAD
- ⊥ PERPENDICULARIDAD (A ESQUADRA)
- // PARALELISMO
- REDONDEZ (CIRCULARIDAD)
- ∅ CILINDRICIDAD
- △ PERFIL DE CUALQUIER SUPERFICIE
- ∧ PERFIL DE CUALQUIER LINEA
- ∧ VARIACION
- ⊕ POSICION REAL
- ◎ CONCENTRICIDAD
- = SIMETRIA

ASME Y14.5M 1994

A MENOS QUE SE ESPECIFIQUE DE OTRA MANERA, LAS TOLERANCIAS DE LAS DIMS; SON LAS SIGUIENTES:

PULG ±.1 ±.02 ±.005 ±.0005

mm ±0.5 ±0.13 ±0.013

ANG. ±.50 GRADOS

ELIMINAR REBABAS Y ORILLAS FILOSAS DEL BORDE.

PULG .003-.015 mm 0.1-0.4

FILETEAR ESQUINA: PULG .020 mm 0.5

MAQUINAR SUPERFICIES

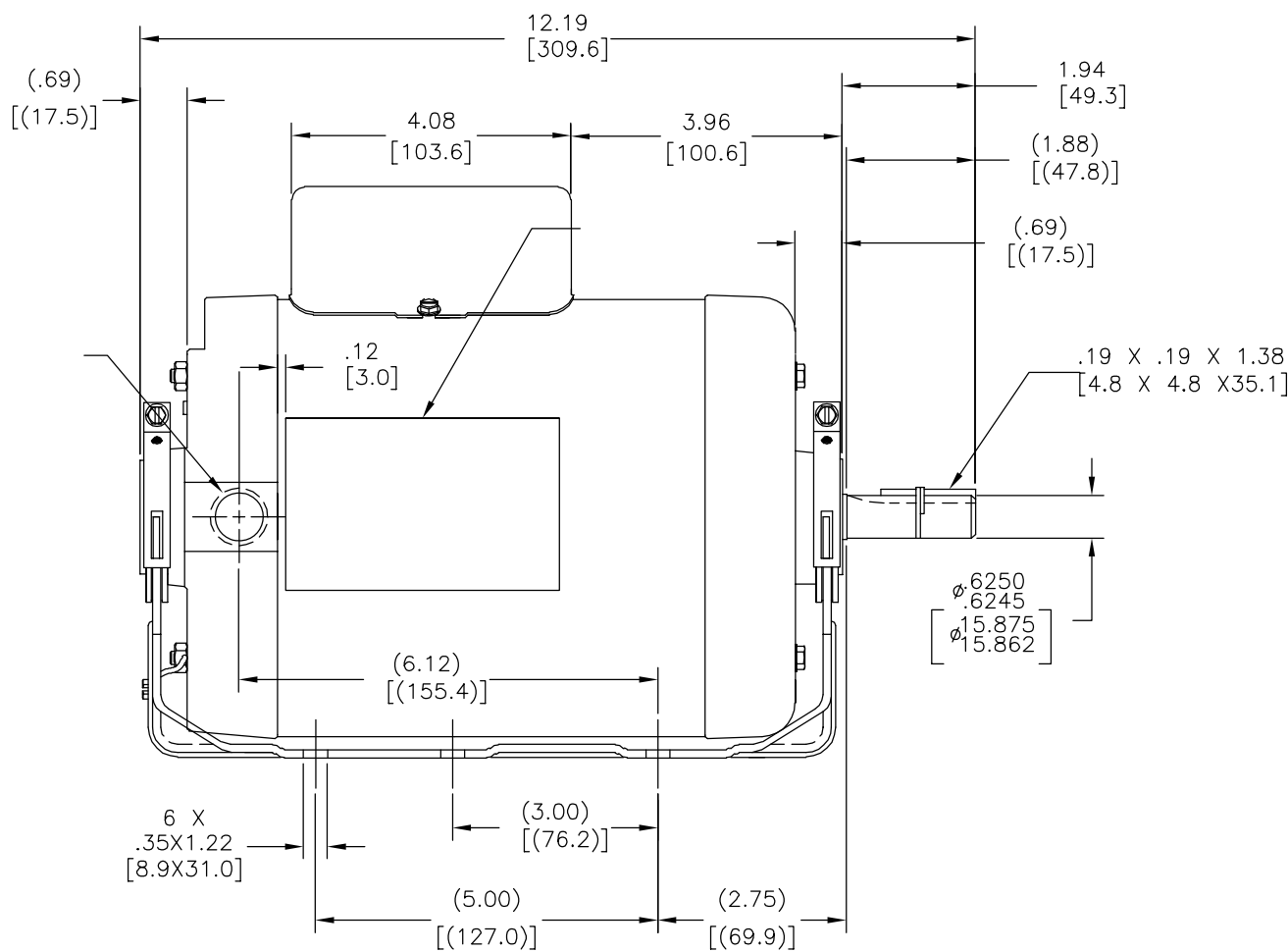
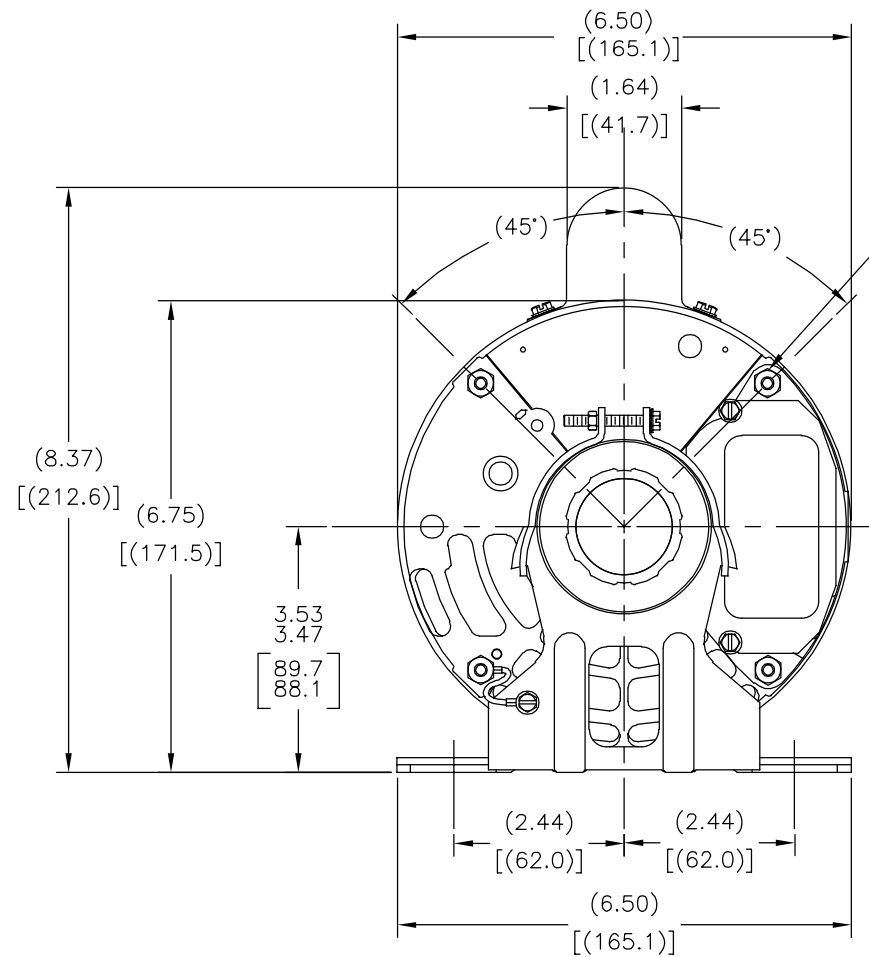
PULG 125 mm 3.2

DIMS METRICAS MOSTRADAS [PARENTESIS]

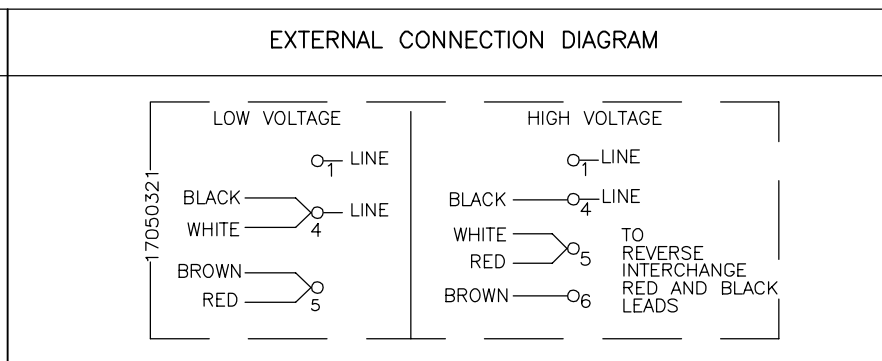
DIBUJADO POR:	TZ	11-08-2007
APROBADO POR:	MO	01-10-2008
TERCER ANGULO DE PROYECCION	⊕	FECHA EDS: 02-22-2008
		REV. FORMATO: G
CONFIDENCIAL: ESTE DIBUJO Y SU INFORMACION SON PROPIEDAD DE USO EXCLUSIVO Y CONFIDENCIAL DE REGAL-BELOIT CORPORATION. Y NO DEBERAN SER REVELADOS, DUPLICADOS, DISTRIBUIDOS O USARSE DE OTRA MANERA SIN EL CONSENTIMIENTO ESCRITO DE REGAL-BELOIT CORPORATION. -TODOS LOS DERECHOS RESERVADOS.		

DESCRIPCION:	
MODEL-CFHP-56FR OUTLINE	
TAMAÑO: C	NUMERO DE DIBUJO: B722L
ESCALA: NONE	HOJA: 1

版本	ECO	编制	日期	批准	日期
C	0025533	E.SINECIO	04-24-2012	R.RASCON	04-24-2012



NAMEPLATE DATA
MODEL: 196424
CUST. P/N: B722L
HP: 1.5
SF: 1.2
ROT: RCC
RPM: 3450
TYPE: CS
CODE: J
FRAME: L 56
VOLTS: 208-230/115
AMPS: 8.6-8.0/16.0
MAX AMPS: .
PH: 1
HZ: 60
INS: B
AMB: 40°C
DUTY: CONT
THERMALLY PROTECTED



NOTES:

PERFORMANCE CURVE NO.	APPROVED SAMPLE OR REF. MODEL
15554521	.
UL COMPONENT	
FILE#	CCN#
E14663	XEWR2
ENCLOSURE: ODP	
MOTOR ASSEMBLY (REF.): 2010647-001	
CUSTOMER: DISTRIBUTION	

<p>形位公差</p> <p>□ 平面度</p> <p>— 直线度</p> <p>∠ 倾斜度</p> <p>⊥ 垂直度</p> <p>// 平行度</p> <p>○ 圆度</p> <p>⊘ 圆柱度</p> <p>△ 面轮廓度</p> <p>— 线轮廓度</p> <p>↗ 圆跳动</p> <p>⊕ 位置度</p> <p>⊙ 同轴度</p> <p>≡ 对称度</p> <p>ASME Y14.5M 1994</p>	<p>除另有注明</p> <p>尺寸公差如下:</p> <p>英寸 ±.1 ±.02 ±.005 ±.0005</p> <p>毫米 ±0.5 ±0.13 ±0.013</p> <p>角度 ±.50 度</p> <p>清理毛刺和尖棱</p> <p>英寸 .003-.015 毫米 0.1-0.4</p> <p>内圆角</p> <p>英寸 .020 毫米 0.5</p> <p>表面粗糙度</p> <p>英制 125 米制 3.2</p> <p>米制尺寸显示在 []</p>
--	--

绘图: TZ	11-08-2007
批准: MO	01-10-2008
第三角投影	<p>图纸格式发布日期 02-22-2008</p> <p>图纸格式版本 G</p>
<p>机密: 本图纸及相关信息所有权归REGAL-BELOIT CORPORATION</p> <p>未经REGAL-BELOIT CORPORATION书面授权, 不得泄露、复制、传播或作其他用途。— 版权所有</p>	

名称: MODEL-CFHP-56FR OUTLINE	
图幅: C	图号: B722L
比例: NONE	页号: 1