

PRODUCT INFORMATION PACKET



Model No: B6415

Catalog No: B6415

1/5-1/8-1/10 HP Fan & Blower Motor, 1050 RPM, 3 Speed, 208-230 Volts, 42 Frame, OAO

Fan and Blower Motors



Regal and Century are trademarks of Regal Rexnord Corporation or one of its affiliated companies.

©2022 Regal Rexnord Corporation, All Rights Reserved. MC017097E





Nameplate Specifications

Output HP	1/5-1/8-1/10 Hp	Output KW	0.15 kW
Frequency	60 Hz	Voltage	208-230 V
Current	3.2,2.1,1.5 A	Speed	1050 rpm
Service Factor	1	Phase	1
Duty	Air Over	Insulation Class	A
Frame	42Y	Enclosure	Open Air Over
Thermal Protection	Automatic	Ambient Temperature	40 °C
UL	Recognized	CSA	Y
CE	N	Number of Speeds	3

Technical Specifications

Electrical Type	Shaded Pole	Starting Method	Across The Line
Poles	6	Rotation	Counterclockwise Lead End
Mounting	Resilient Rings	Motor Orientation	Horizontal
Drive End Bearing	Sleeve	Opp Drive End Bearing	Sleeve
Frame Material	N/A	Shaft Type	Flat
Overall Length	9.38 in	Shaft Diameter	0.500 in
Shaft Extension	5.5 in		
Outline Drawing	11674-007-S01	Connection Drawing	263B929F02

This is an uncontrolled document once printed or downloaded and is subject to change without notice. Date Created:03/03/2022

4

3

2

1

REV	ECO	REV BY	DATE	APPD	DATE
F	0026376	F.NAVARRO	05-25-2012	R.RASCON	05-25-2012

GENERAL INFORMATION:

SHAFT RUNOUT: .001[.03] T.I.R. PER INCH LENGTH OF EXTENSION

END PLAY: .010[.25] TO .063[1.60]

BEARINGS: SLEEVE

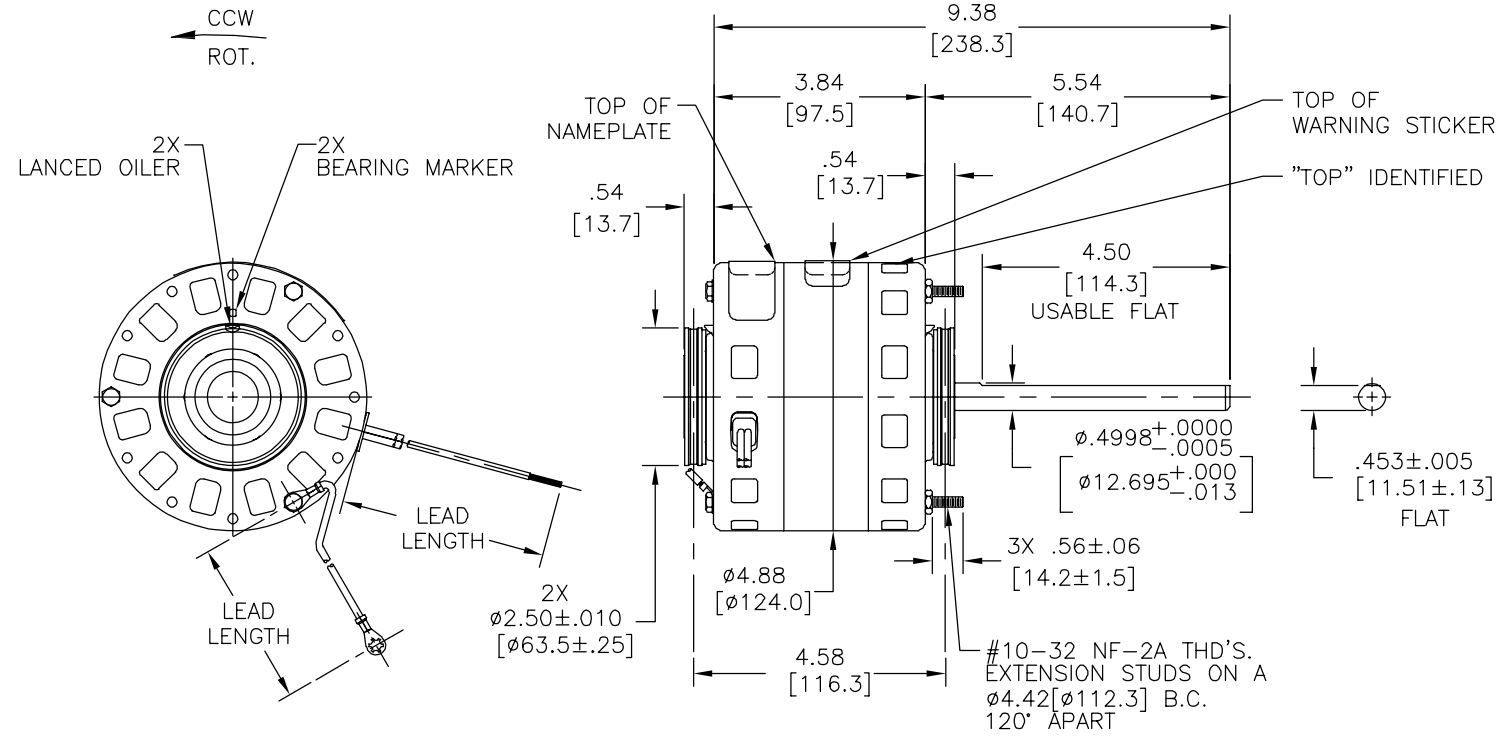
MOUNTING POSITION: HORIZONTAL

ELECTRICAL DATA:

OVERLOAD PROTECTOR: AUTOMATIC RESET (T.I. 7AM 034)

LEADS: NO. 18 GA., .03[.8] THK. 125°C INSUL.

GROUND LEAD: NO. 18 GA., .03[.8] THK. (GREEN) INSUL.



SEE NOTE 1

NAMEPLATE DATA:

MODEL: B42A60A01

CUST. P/N: []

HP: 1/5, 1/8, 1/10

ROT: CCWLE

RPM: 1050

TYPE: FE

FRAME: 42Y

VOLTS: 208-230

PH: 1

AMPS: 3.2, 2.1, 1.5

HZ: 60

INS: A

AMB: 40 °C

DUTY: AIR OVER

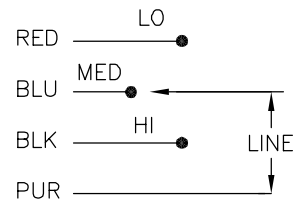
CAP.:

CSA LOGO

UL LOGO

THERMALLY PROTECTED TYPE C

EXTERNAL CONNECTION DIAGRAM



GREEN (GRD)	9.5/10.5[241/267]	#10 EYELET
BLUE	35/38[889/965]	.60[15.2] SKIN
RED	35/38[889/965]	.60[15.2] SKIN
BLACK	35/38[889/965]	.60[15.2] SKIN
PURPLE	35/38[889/965]	.60[15.2] SKIN

MAIN FRAME - OLE	OPEN
END FRAME - OLE	OPEN
MAIN FRAME - LE	OPEN
END FRAME - LE	OPEN

CUST.	DISTRIBUTION SERVICES
-------	-----------------------

NOTES:
1. DISTRIBUTION PART NUMBER: B6415
GRAINGER PART NUMBER: 4KA42

PERFORMANCE CURVE NO.	TORQUE @1050 RPM (25°C)	APPROVED SAMPLE	UL COMPONENT FILE	CSA GUIDE FILE
C31728	19.2 OZ. FT.	98AC387A	E46412	LR43341

GEOMETRIC CHARACTERISTICS & SYMBOLS

- FLATNESS
- STRAIGHTNESS
- ∠ ANGULARITY
- ⊥ PERPENDICULARITY (SQUARENESS)
- // PARALLELISM
- ROUNDNESS (CIRCULARITY)
- ∅ CYLINDRICITY
- △ PROFILE OF ANY SURFACE
- ∇ PROFILE OF ANY LINE
- ↗ RUNOUT
- ⊕ TRUE POSITION
- ⊙ CONCENTRICITY
- ≡ SYMMETRY

ASME Y14.5M 1994

REGAL-BELOIT CORPORATION (RBC) PROVIDES TECHNICAL ASSISTANCE TO OUR CUSTOMERS IN SEVERAL AREAS. SINCE RBC DOES NOT RECEIVE ALL DATA CONCERNING THE USE AND APPLICATION OF THE MOTOR, THE SUITABILITY OF THE MOTOR FOR THE APPLICATION MUST BE DETERMINED BY THE CUSTOMER.

DIMENSIONS WITHOUT TOLERANCES ARE FOR REFERENCE ONLY.

DR BY: RUPERT 02-16-1996

APPD:

THIRD ANGLE PROJECTION

EDS DATE 11-11-2011

FORMAT REV H

CONFIDENTIAL: THIS DRAWING AND ITS INFORMATION ARE THE EXCLUSIVE AND CONFIDENTIAL PROPERTY OF REGAL-BELOIT CORPORATION AND ARE NOT TO BE DISCLOSED, DUPLICATED, DISTRIBUTED OR OTHERWISE USED WITHOUT THE WRITTEN CONSENT OF REGAL-BELOIT CORPORATION. -ALL RIGHTS RESERVED.

REGAL REGAL-BELOIT CORPORATION

DESCRIPTION: MODEL-RFHP-48FR OUTLINE

SIZE: C DWG NO: 05-25-2012

SCALE: NONE SHEET 1

4

3

2

1

4

3

2

1

REVISION:	ECO	REVISADO POR:	FECHA:	APROBADO POR:	FECHA:
F	0026376	F.NAVARRO	05-25-2012	R.RASCON	05-25-2012

INFORMACION GENERAL:

OSCILACION DE FLECHA: .001[.03] L.T.I. LONG. DE EXTENSION POR PULGADA

JUEGO AXIAL: .010[.25] A .063[1.60]

BALEROS: MANGA

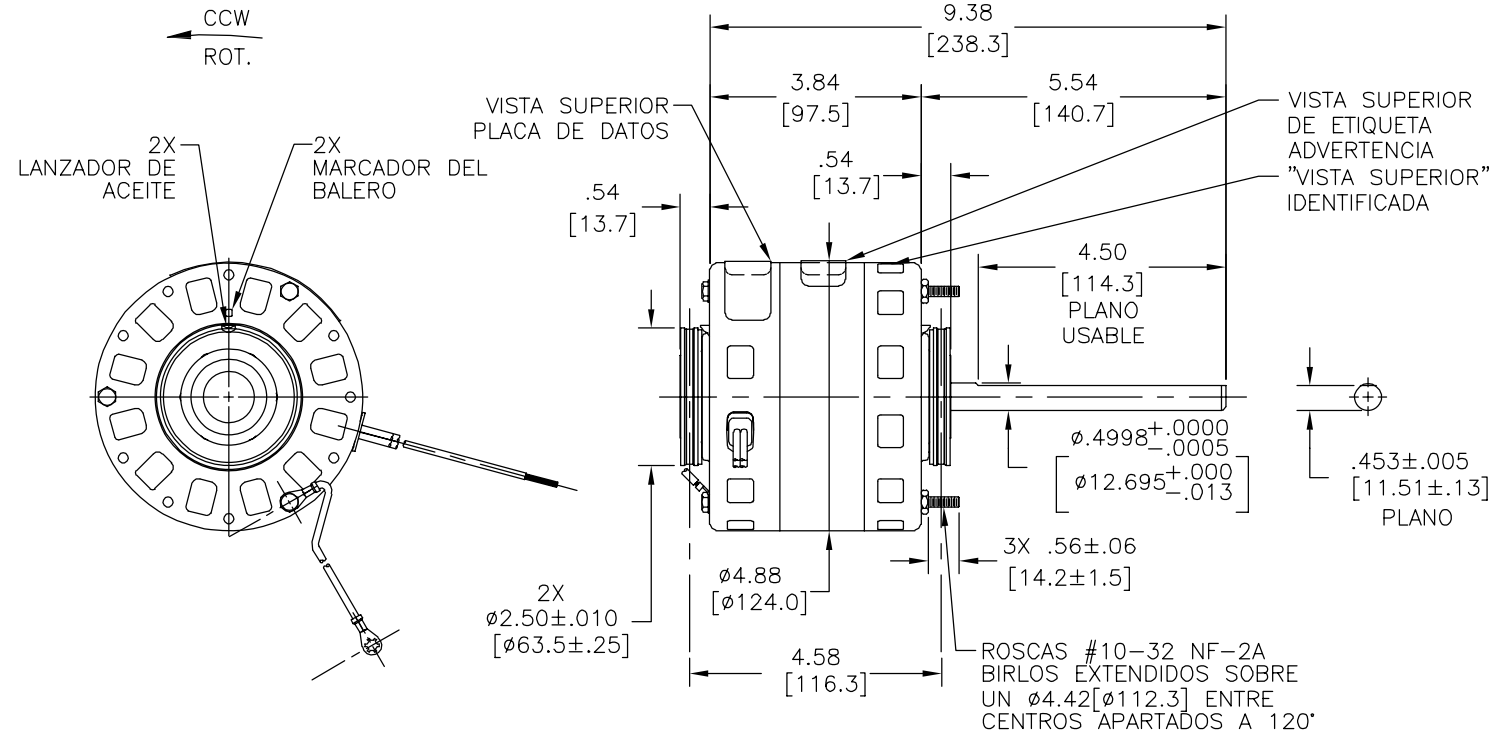
POSICION DEL MONTAJE: HORIZONTAL

INFORMACION ELECTRICA:

SOBRECARGA DEL PROTECTOR: REINICIO AUTOMATICO (T.I. 7AM 034)

CABLES: CAL. NO. 18, .03[.8] ESP. 125°C AISLAM.

CABLE DE TIERRA: CAL. NO. 18, .03[.8] ESP. (VERDE) AISLAM.



VER NOTA 1

INFORMACION DE PLACA DE DATOS	DIAGRAMA DE CONEXION EXTERNA
MODEL: B42A60A01 CUST. P/N: [] HP: 1/5, 1/8, 1/10 ROT: CCWLE RPM: 1050 TYPE: FE FRAME: 42Y VOLTS: 208-230 PH: 1 AMPS: 3.2, 2.1, 1.5 HZ: 60 INS: A AMB: 40 °C DUTY: AIR OVER CAP.: CSA LOGO UL LOGO THERMALLY PROTECTED TYPE C	

VERDE(TIERRA)	9.5/10.5[241/267]	#10 OJAL
AZUL	35/38[889/965]	.60[15.2] DESFORRE
ROJO	35/38[889/965]	.60[15.2] DESFORRE
NEGRO	35/38[889/965]	.60[15.2] DESFORRE
MORADO	35/38[889/965]	.60[15.2] DESFORRE

CARCAZA PPAL.- OLE	ABIERTO
TAPA FINAL - OLE	ABIERTO
CARCAZA PPAL.- LE	ABIERTO
TAPA FINAL- LE	ABIERTO
TIPO DE MOTOR	

NOTAS:
 1. NO. DE PARTE DE DISTRIBUCION: B6415
 NO. DE PARTE GRAINGER: 4KA42

CURVA DE FUNCIONAM.	TORSION @1050 RPM (25°C)	MUESTRA APROBADA	COMPONENTE UL		CSA	
			#ARCHIVO	GUIA #	#ARCHIVO	GUIA #
C31728	19.2 OZ. PIE	98AC387A	E46412	PRGY2	LR43341	260-Ø-0

COLOR	LONGITUD	TERMINAL O LONG. DE DESFORRE
VERDE(TIERRA)	9.5/10.5[241/267]	#10 OJAL
AZUL	35/38[889/965]	.60[15.2] DESFORRE
ROJO	35/38[889/965]	.60[15.2] DESFORRE
NEGRO	35/38[889/965]	.60[15.2] DESFORRE
MORADO	35/38[889/965]	.60[15.2] DESFORRE

CLIENTE	DISTRIBUTION SERVICES
---------	-----------------------

CARACTERISTICAS DE GEOMETRIA Y SIMBOLOS
 □ PLANICIDAD
 - RECTITUD
 < ANGULARIDAD
 ⊥ PERPENDICULARIDAD (A ESCUADRA)
 // PARALELISMO
 ○ REDONDEZ (CIRCULARIDAD)
 ∅ CILINDRICIDAD
 △ PERFIL DE CUALQUIER SUPERFICIE
 ▲ PERFIL DE CUALQUIER LINEA
 ↗ VARIACION
 ⊕ POSICION REAL
 ⊙ CONCENTRICIDAD
 = SIMETRIA
 ASME Y14.5M 1994

REGAL-BELOIT CORPORATION (RBC) PROVEE ASISTENCIA TECNICA A NUESTROS CLIENTES EN VARIAS AREAS. DESDE QUE RBC NO RECIBE TODOS LOS DATOS EN RELACION AL USO Y A LA APLICACION DEL MOTOR, LA APLICACION ADECUADA DEL MOTOR DEBE SER DETERMINADA POR EL CLIENTE.
 DIMENSIONES SIN TOLERANCIA SON DE REFERENCIA SOLAMENTE

DIBUJADO POR: RUPERT 02-16-1996
 APROBADO POR:
 TERCER ANGULO DE PROYECCION
 FECHA EDS: 11-11-2011
 REV. FORMATO: H
 CONFIDENCIAL: ESTE DIBUJO Y SU INFORMACION SON PROPIEDAD DE USO EXCLUSIVO Y CONFIDENCIAL DE REGAL-BELOIT CORPORATION. Y NO DEBERAN SER REVELADOS, DUPLICADOS, DISTRIBUIDOS O USARSE DE OTRA MANERA SIN EL CONSENTIMIENTO ESCRITO DE REGAL-BELOIT CORPORATION. -TODOS LOS DERECHOS RESERVADOS.

REGAL REGAL-BELOIT CORPORATION
 DESCRIPCION: MODEL-RFHP-48FR OUTLINE
 TAMAÑO: C NUMERO DE DIBUJO: 05-25-2012
 ESCALA:NONE HOJA: 1

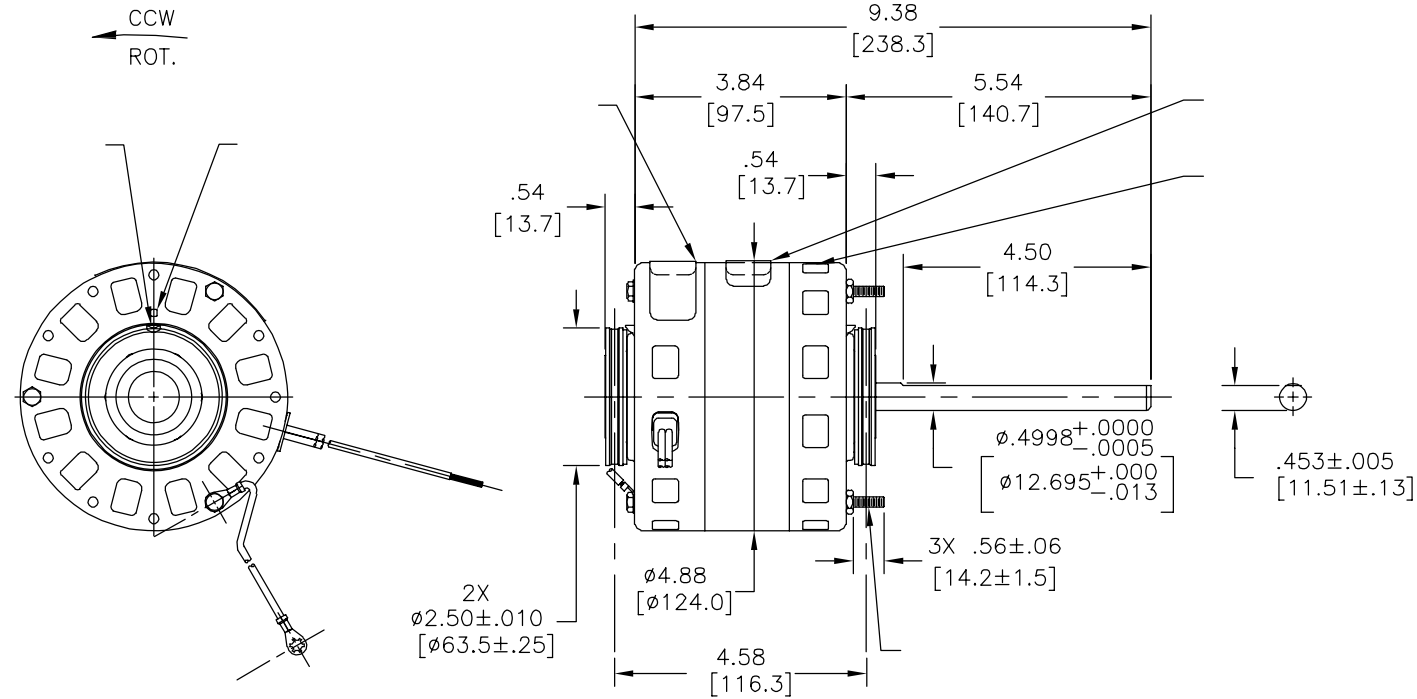
4

3

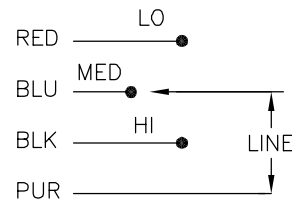
2

1

版本	ECO	编制	日期	批准	日期
F	0026376	F.NAVARRO	05-25-2012	R.RASCON	05-25-2012



MODEL: B42A60A01
 CUST. P/N: []
 HP: 1/5, 1/8, 1/10
 ROT: CCWLE
 RPM: 1050
 TYPE: FE
 FRAME: 42Y
 VOLTS: 208-230
 PH: 1
 AMPS: 3.2, 2.1, 1.5
 HZ: 60
 INS: A
 AMB: 40 °C
 DUTY: AIR OVER
 CAP.:
 CSA LOGO
 UL LOGO
 THERMALLY PROTECTED
 TYPE C



	9.5/10.5 [241/267]	
	35/38 [889/965]	
	35/38 [889/965]	
	35/38 [889/965]	
	35/38 [889/965]	

DISTRIBUTION SERVICES

			CSA			
C31728		98AC387A	E46412	PRGY2	LR43341	260-0-0

- 形位公差
- 平面度
- 直线度
- ∠ 倾斜度
- ⊥ 垂直度
- // 平行度
- 圆度
- ⊘ 圆柱度
- ⊙ 圆轮廓度
- △ 面轮廓度
- ⌒ 线轮廓度
- ↗ 圆跳动
- ⊕ 位置度
- ⊙ 同轴度
- ≡ 对称度

ASME Y14.5M 1994

REGAL-BELOIT CORPORATION (RBC) 在个别领域为客户提供技术支持。鉴于RBC未收到任何涉及电机使用和应用环境的数据，电机的适用性由客户自己决定。

未注公差尺寸仅供参考。

绘图: RUPERT 02-16-1996

批准:

第三角投影

机密: 本图纸及相关信息所有权归REGAL-BELOIT CORPORATION。未经REGAL-BELOIT CORPORATION书面授权, 不得泄露、复制或传播或作其他用途。—版权所有

REGAL REGAL-BELOIT CORPORATION

名称: MODEL-RFHP-48FR OUTLINE

图幅: C 图号: 05-25-2012

比例: NONE 页号: 1