

# PRODUCT INFORMATION PACKET



Model No: B385  
Catalog No: B385  
5 SPL HP Air Compressor Motor, 1 phase, 3600 RPM, 208-230 V, 56 Frame, ODP  
Air Compressor Motors



Regal and Century are trademarks of Regal Rexnord Corporation or one of its affiliated companies.  
©2021 Regal Rexnord Corporation, All Rights Reserved. MC017097E





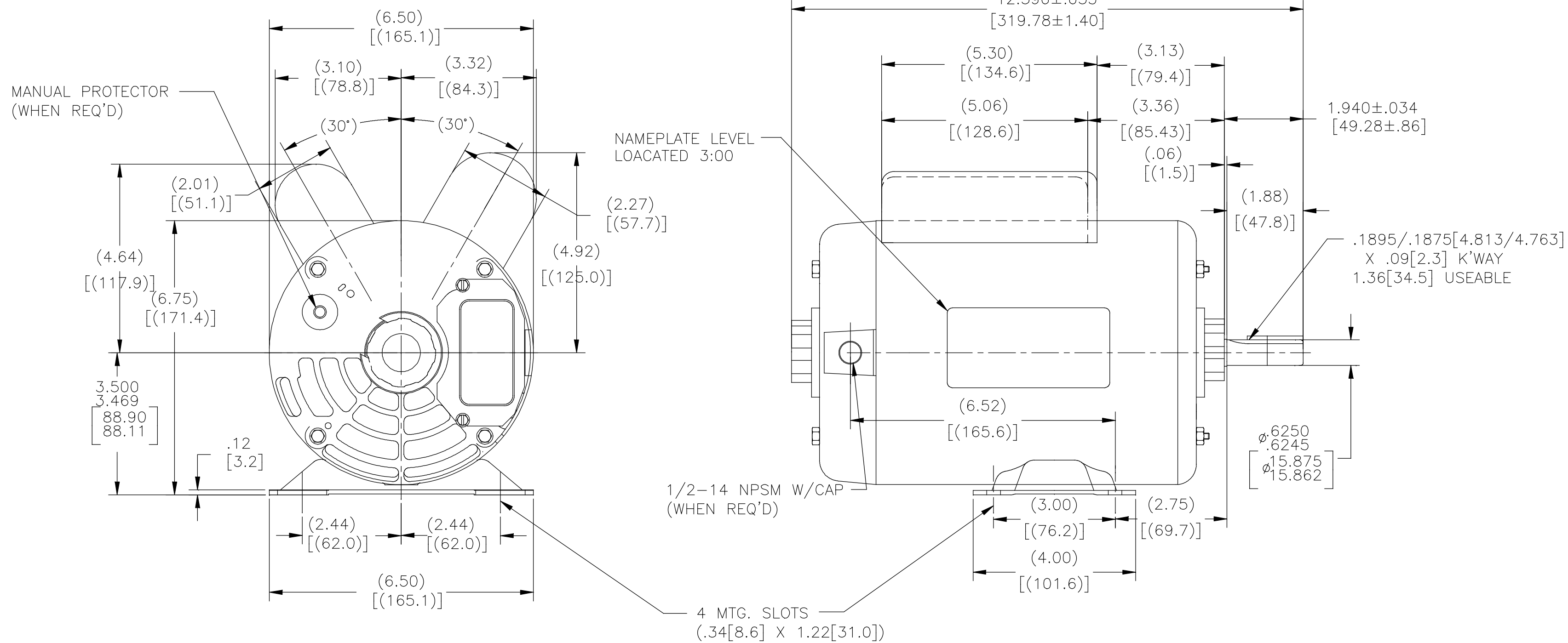
**Nameplate Specifications**

Output HP	<b>5 SPL Hp</b>	Output KW	<b>3.7 kW</b>
Frequency	<b>60 Hz</b>	Voltage	<b>208-230 V</b>
Current	<b>15.0 A</b>	Speed	<b>3450 rpm</b>
Service Factor	<b>1</b>	Phase	<b>1</b>
Duty	<b>Continuous</b>	Insulation Class	<b>B</b>
Frame	<b>P56</b>	Enclosure	<b>Drip Proof</b>
Thermal Protection	<b>Thermally Protected</b>	Ambient Temperature	<b>40 °C</b>
UL	<b>Recognized</b>	CSA	<b>Y</b>
CE	<b>N</b>	Number of Speeds	<b>1</b>

**Technical Specifications**

Electrical Type	<b>Capacitor Start, Capacitor Run, Single Or Dual Voltage</b>	Starting Method	<b>Across The Line</b>
Poles	<b>2</b>	Rotation	<b>Clockwise</b>
Mounting	<b>Rigid Base</b>	Drive End Bearing	<b>Ball</b>
Opp Drive End Bearing	<b>Ball</b>	Frame Material	<b>Rolled Steel</b>
Shaft Type	<b>Keyed</b>	Overall Length	<b>12.59 in</b>
Frame Length	<b>8.00 in</b>	Shaft Diameter	<b>0.625 in</b>
Shaft Extension	<b>1.94 in</b>		
Outline Drawing	<b>B385-S01</b>	Connection Drawing	<b>17272723.PCX</b>

This is an uncontrolled document once printed or downloaded and is subject to change without notice. Date Created:10/07/2021



NAMEPLATE DATA	EXTERNAL CONNECTION DIAGRAM	NOTES
MODEL: 182568 CUST PN: B385 HP: 5 SPL SF: 1.0 ROT: CW RPM: 3450 TYPE: CP CODE: C FORM: KHH FRAME: P56 VOLTS: 208-230 AMPS: 15.0 MAX AMPS: SF AMPS: - PH: 1 HZ: 60 INS: B AMB: 40°C DUTY: CONT ENCLOSURE: DP THERMALLY PROTECTED		1. END PLAY NOT TO EXCEED .010[.25]. 2. ALL DIMENSIONS SHOWN IN PARENTHESIS ARE REFERENCE DIMENSIONS.

PERFORMANCE CURVE	APPROVED SAMPLE		
17192211			
UL COMPONENT	CSA		
FILE#	CCN#	FILE#	GUIDE#
E14663	XEWR2	LR4642	4211-01
CUSTOMER	DISTRIBUTION		

DRAWING REVISION	REVISION BY	DATE	TOLERANCES UNLESS OTHERWISE SPECIFIED	DRAWN BY:	REGAL™ Regal Beloit America, Inc.
F	NANCY LIU	12-27-2018	DEC. INCH mm ANGLE	DZ	
ECO	APPROVED BY	DATE	.XX ±0.1 [±0.5] ±0.5°	DATE:	
ECO-0159053	KEFU.SHI	12-27-2018	.XX ±0.02 [±0.13]	11-26-2010	
SEE ECO			.XXX ±0.005 [±0.013]	APPROVED BY:	
			.XXXX ±0.0005 [±0.0013]	MY	
			REMOVE BURRS & BREAK SHARP EDGES .003/.015 [08/38]	DATE:	
			CORNER FILLETS .02 [5]	11-26-2010	
			MACHINED SURFACES 125/INCH 32/mm	REFERENCE	
			mm SHOWN IN [BRACKETS]	MATERIAL	
				THIRD ANGLE PROJECTION	
				SIZE DWG NO	
				C B385	
				SHEET	
				1	