

## Product Overview



Print



[Click to Enlarge](#)

<b>Product Type :</b>	AC Motors
<b>Product Family:</b>	6-1/2" Diameter (56 Frame)
<b>Stock Number:</b>	B384
<b>Reference:</b>	<a href="#">Catalog Page: 182</a>
<b>Description:</b>	MODEL-CFHP-56FR
<b>Features:</b>	Product feature information temporarily unavailable
<b>Applications:</b>	Product application information temporarily unavailable
<b>List Price:</b>	\$761

The image shown is representative only and the actual product may differ from the image shown

### TECHNICAL SPECIFICATIONS    NOTES    DRAWINGS

<b>Horse Power:</b>	5.0
<b>Amperes:</b>	22.0
<b>Frequency:</b>	60
<b>RPM:</b>	3450
<b>Voltage:</b>	208-230
<b>Motor Type:</b>	CP
<b>Frame Size:</b>	R56Y
<b>Nema Suffix:</b>	Y
<b>Service Factor:</b>	1.15
<b>Phase:</b>	1
<b>Enclosure:</b>	ODP
<b>Bearings:</b>	BALL BRG
<b>Ambient Temperature:</b>	40
<b>Insulation Class:</b>	B
<b>Rotation:</b>	CW
<b>Protector:</b>	THERMALLY PROTECTED
<b>Agency Approvals:</b>	ULCSA
<b>Duty Cycle:</b>	CONT

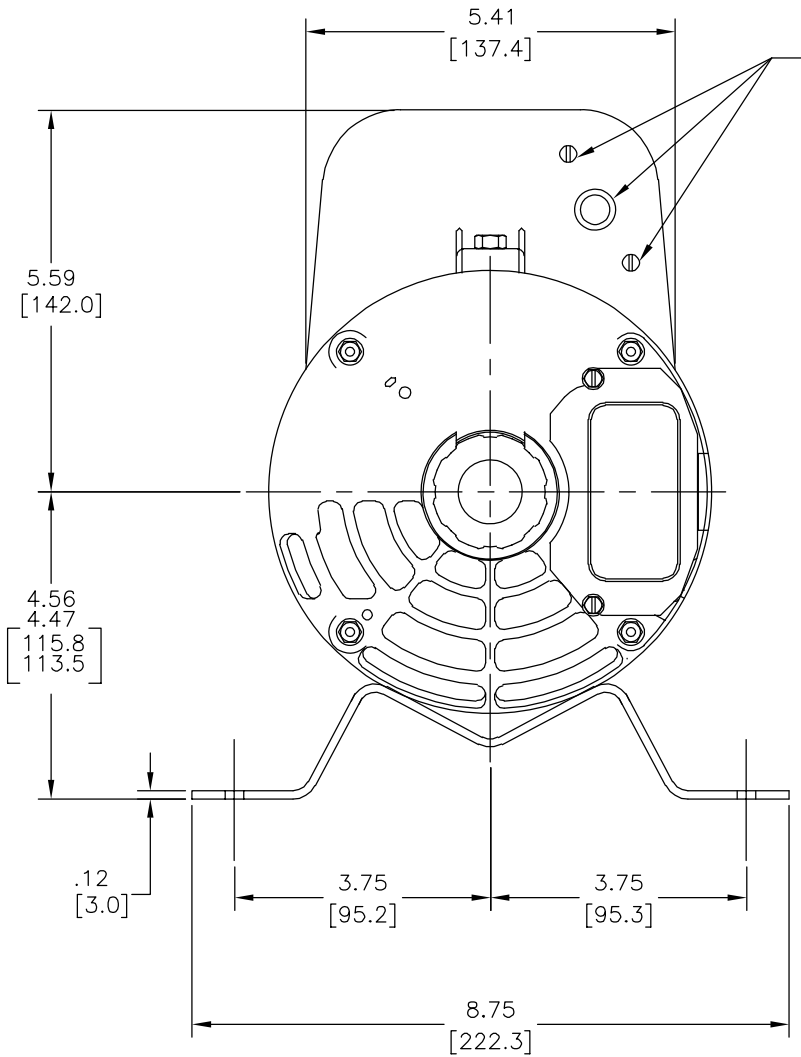
PART NUMBER	C	BS
18335601	14.56[369.8]	8.12[206.2]

REV	ECO	REV BY	DATE	APPD	DATE
J	0001248	AJB	07-29-2008	AJB	07-29-2008

ALL DIMENSIONS SHOWN IN PARENTHESIS ARE REFERENCE DIMENSIONS. ALL OTHER DIMENSIONS ARE TOLERANCED PER THE FOLLOWING CHART UNLESS OTHERWISE SPECIFIED.

"C" DIM. = +/- .055[1.40]  
 SHAFT EXT. = +/- .034[.86]  
 LEAD LENGTHS = +/- 1.00[25.4]  
 EXTENDED THRU-BOLTS = +/- .050[1.27]  
 ANGULAR DIM. = +/- 2 DEG.

NOTE: TERMINAL BOX TO BE LOCATED AT 12:00 WITHIN +/- 1 1/2"

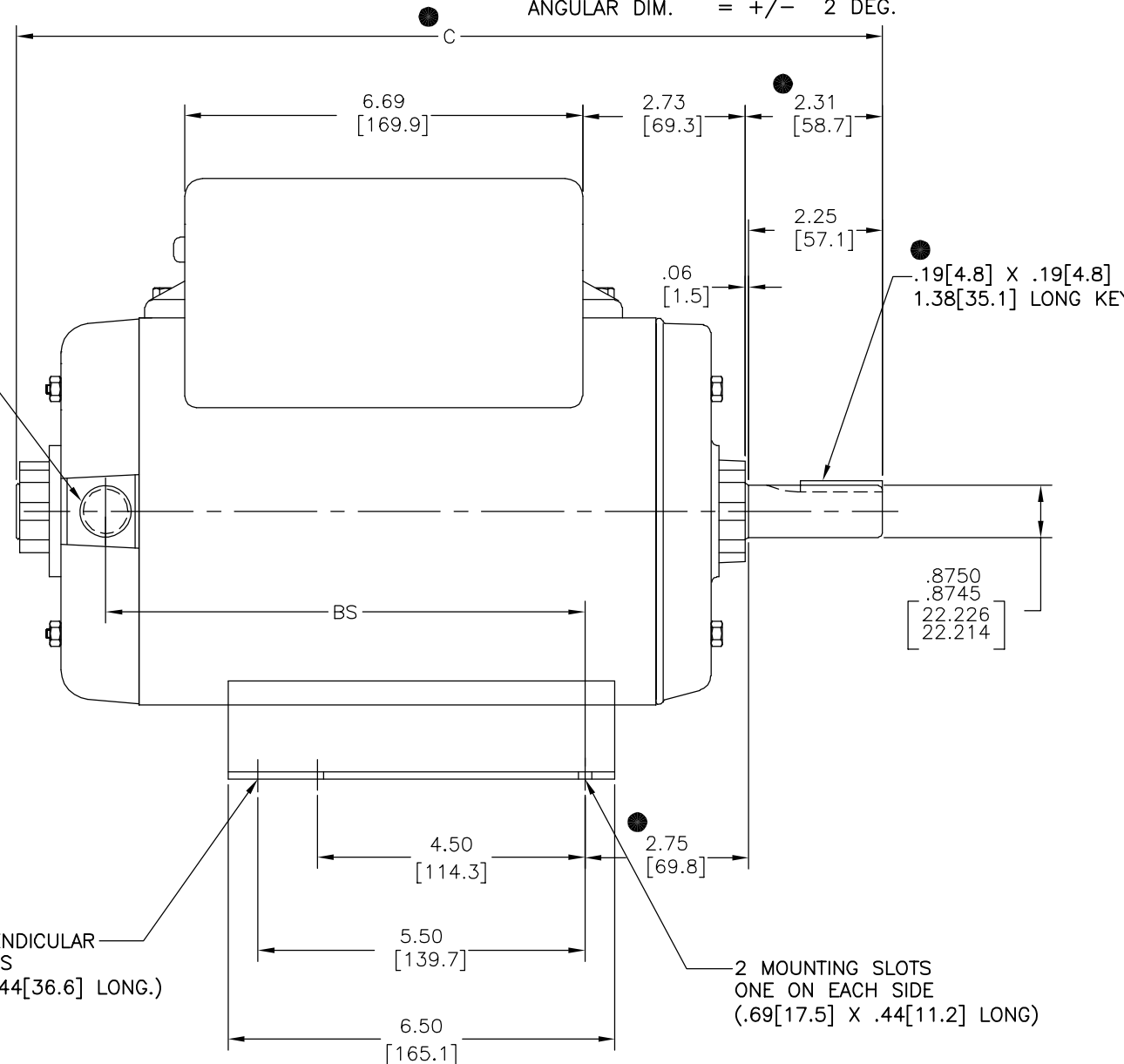


MANUAL PROTECTOR AND MTG. SCREWS (WHEN REQD.)

1/2-14 N.S.P.M. W/CAP

2 SLOTS PERPENDICULAR TO FRONT SLOTS (.44[11.2] X 1.44[36.6] LONG.)

● = CRITICAL DIM.



2 MOUNTING SLOTS ONE ON EACH SIDE (.69[17.5] X .44[11.2] LONG)

GEOMETRIC CHARACTERISTICS & SYMBOLS

- FLATNESS
- STRAIGHTNESS
- ∠ ANGULARITY
- ⊥ PERPENDICULARITY (SQUARENESS)
- ∥ PARALLELISM
- ROUNDNESS (CIRCULARITY)
- ⊘ CYLINDRICITY
- △ PROFILE OF ANY SURFACE
- ∩ PROFILE OF ANY LINE
- ↗ RUNOUT
- ⊕ TRUE POSITION
- ◎ CONCENTRICITY
- ≡ SYMMETRY

UNLESS OTHERWISE SPECIFIED DIM. TOLERANCES ARE AS FOLLOWS:

INCH	±.1	±.02	±.005	±.0005
mm	±0.5	±0.13	±0.013	

ANG. ±.50 DEG  
 REMOVE BURRS & BREAK SHARP EDGES:  
 INCH .003-.015 mm 0.1-0.4  
 CORNER FILLETS TO:  
 INCH .020 mm 0.5  
 MACHINE SURFACES:  
 INCH 125 mm 3.2  
 METRIC DIMS. SHOWN IN [BRACKETS]

DR BY: JZ  
 APPD: [Signature]  
 THIRD ANGLE PROJECTION  
 EDS DATE 01-21-2007  
 FORMAT REV F  
 CONFIDENTIAL: THIS DRAWING AND ITS INFORMATION ARE THE EXCLUSIVE AND CONFIDENTIAL PROPERTY OF A.O. SMITH CORP. AND ARE NOT TO BE DISCLOSED, DUPLICATED, DISTRIBUTED OR OTHERWISE USED WITHOUT THE WRITTEN CONSENT OF A.O. SMITH CORP.  
 -ALL RIGHTS RESERVED. ASME Y14.5M 1994

<b>ELECTRICAL PRODUCTS COMPANY</b> <small>A DIVISION OF A. O. SMITH CORPORATION</small>	
DESCRIPTION	
OUTLINE	
56FR RIGID BASE BB OP/EN	
SIZE C	DWG NO 183356
SCALE NONE	SHEET 1