

PRODUCT INFORMATION PACKET



Model No: B126
Catalog No: B126
1/2 HP Pool Pump Motor, 1 phase, 3600 RPM, 230/115 V, 56J Frame, ODP
Pool Pump Motors



Regal and Century are trademarks of Regal Rexnord Corporation or one of its affiliated companies.
©2021 Regal Rexnord Corporation, All Rights Reserved. MC017097E





Nameplate Specifications

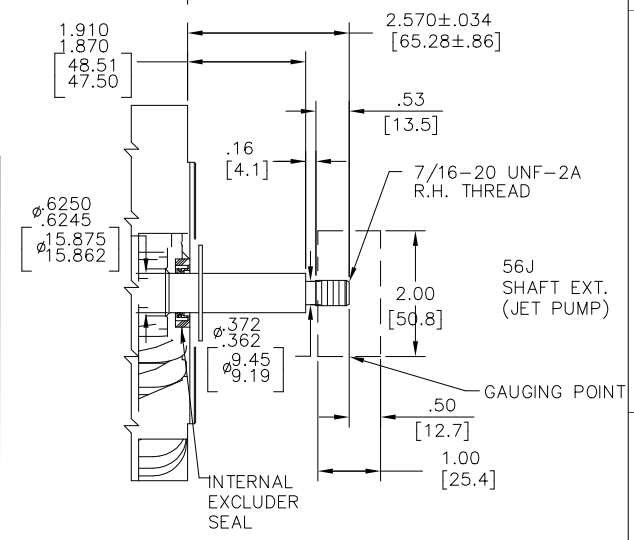
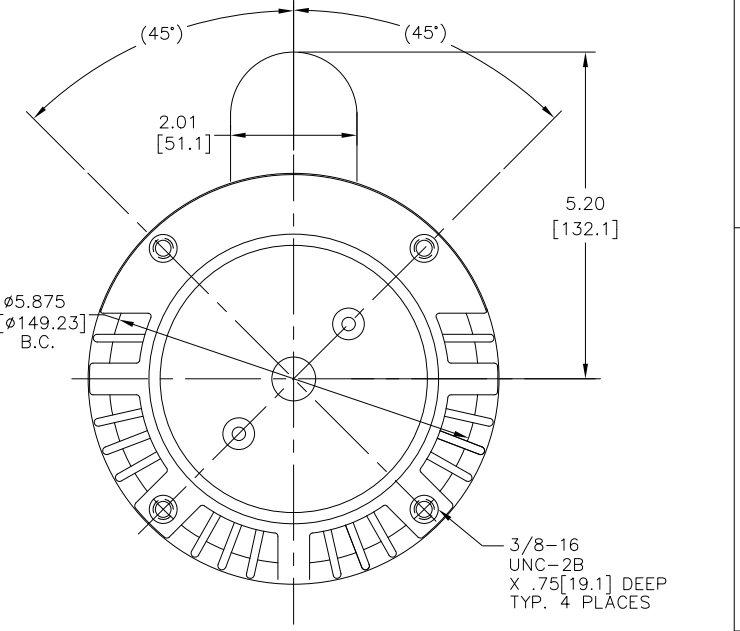
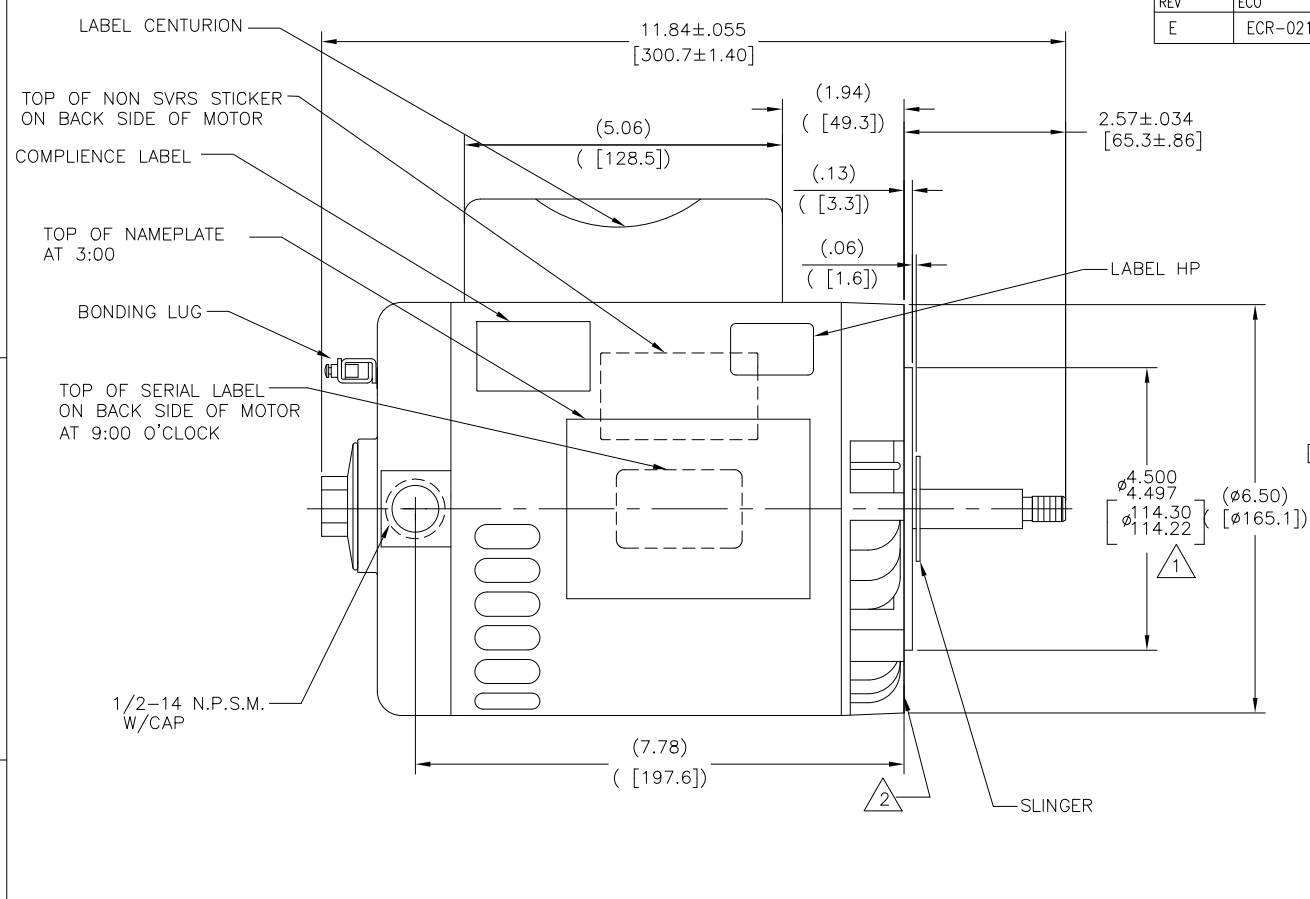
Output HP	1/2 Hp	Output KW	0.37 kW
Frequency	60 Hz	Voltage	230/115 V
Current	SF 4.4/8.8 A	Speed	3450 rpm
Service Factor	1.6	Phase	1
Duty	Continuous	Insulation Class	B
Frame	L56J	Enclosure	Drip Proof
Thermal Protection	Thermally Protected	Ambient Temperature	50 °C
UL	Recognized	CSA	Y
Number of Speeds	1		

Technical Specifications

Electrical Type	Permanent Split Capacitor, Single Or Dual Voltage	Poles	2
Rotation	Counterclockwise Pump End	Mounting	Round
Motor Orientation	Horizontal	Drive End Bearing	Ball
Opp Drive End Bearing	Ball	Frame Material	Rolled Steel
Shaft Type	7/16 Threaded	Overall Length	11.94 in
Frame Length	6.25 in	Shaft Diameter	0.625 in
Shaft Extension	2.57 in		
Connection Drawing	17536715.PCX	Outline Drawing	B126-S01

This is an uncontrolled document once printed or downloaded and is subject to change without notice. Date Created:10/08/2021

REV	ECO	REV BY	DATE	APPD	DATE
E	ECR-0212985	D.SURYAWANSHI	10/07/2021		



NAMEPLATE DATA	EXTERNAL CONNECTION DIAGRAM	NOTES
MODEL: 164301 CUST PN: B126 HP: 1/2 SF: 1.60 ROT: CCWPE RPM: 3450 TYPE: CX CODE: J FORM: - FRAME: L 56 J VOLTS: 230/115 AMPS: SF 4.4/8.8 MAX AMPS: - SF AMPS: - PH: 1 HZ: 60 INS: B AMB: 50°C DUTY: CONT ENCLOSURE: ODP THERMALLY PROTECTED		<p>1 PILOT DIAMETER IS CONCENTRIC WITH SHAFT CENTERLINE WITHIN .004[0.10] T.I.R. FACE OF MOUNTING FLANGE IS PERPENDICULAR TO SHAFT CENTERLINE WITHIN .004[0.10] T.I.R.</p> <p>2</p> <p>3 SHAFT RUNOUT NOT TO EXCEED .002[0.05] T.I.R.</p> <p>4 END PLAY NOT TO EXCEED .010[0.25] MEASURED WITH NO THRUST</p>

PERFORMANCE CURVE	APPROVED SAMPLE		
16345012	-		
UL COMPONENT	CSA		
FILE#	CCN#	FILE#	GUIDE#
PENDING	PENDING	PENDING	PENDING
CUSTOMER	DISTRIBUTION		

GEOMETRIC CHARACTERISTICS & SYMBOLS □ FLATNESS - STRAIGHTNESS ∠ ANGULARITY ⊥ PERPENDICULARITY (SQUARENESS) // PARALLELISM ○ ROUNDNESS (CIRCULARITY) ⊙ CYLINDRICITY ⊖ PROFILE OF ANY SURFACE ⊕ PROFILE OF ANY LINE ⊖ RUNOUT ⊕ TRUE POSITION ⊙ CONCENTRICITY = SYMMETRY	UNLESS OTHERWISE SPECIFIED DIM. TOLERANCES ARE AS FOLLOWS: X XX XXX XXXX INCH ±.1 ±.02 ±.005 ±.0005 mm ±0.5 ±0.13 ±0.013 ANG. ±.50 DEG REMOVE BURRS & BREAK SHARP EDGES: INCH .003-.015 mm 0.1-0.4 CORNER FILLETS TO: INCH .020 mm 0.5 MACHINE SURFACES: INCH 125 mm 3.2
--	--

DR BY: KHR APPD: JMW THIRD ANGLE PROJECTION	08-30-2005 02-28-2006 EDS DATE 11-11-2011 FORMAT REV G
---	---

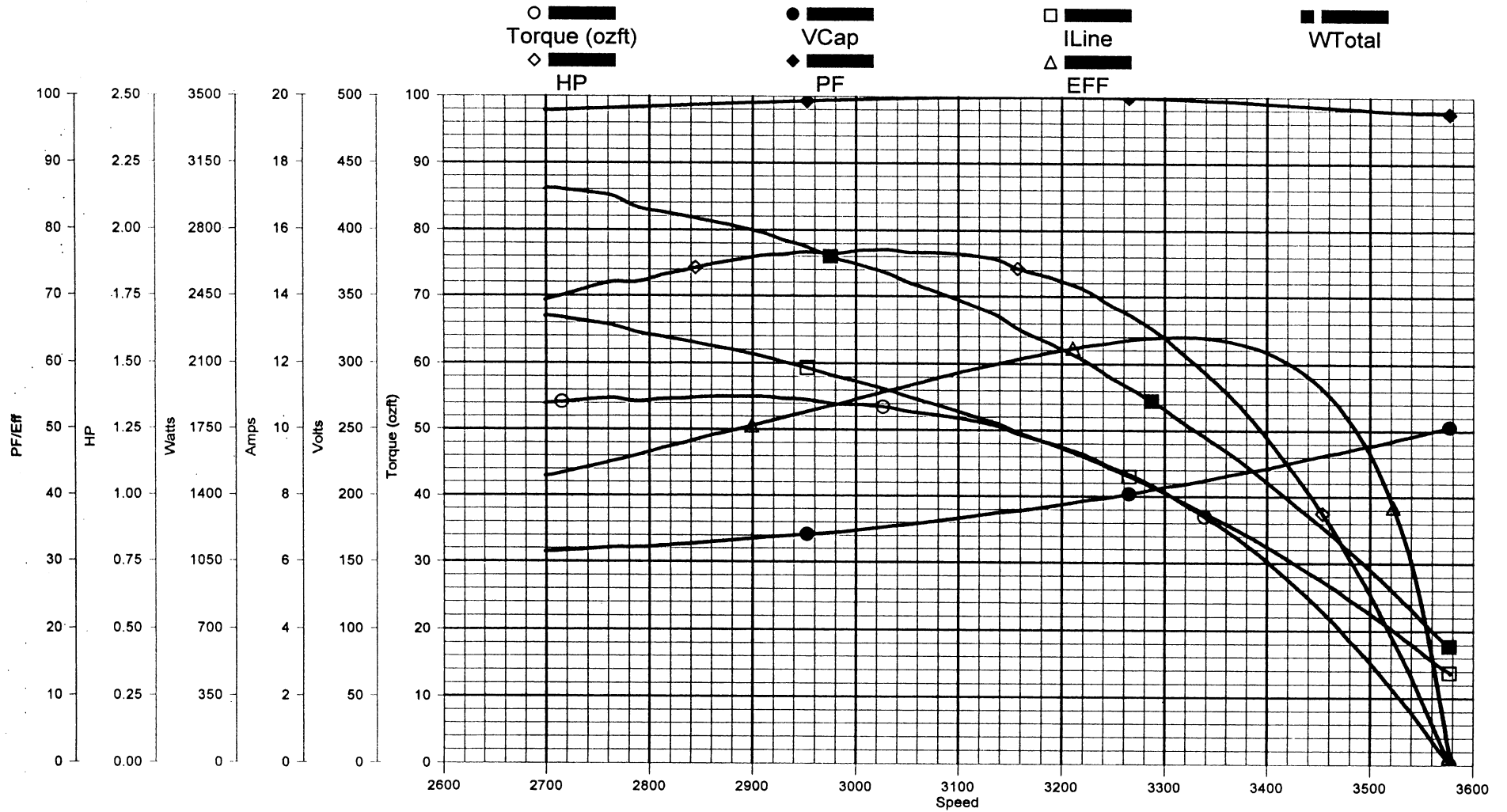
CONFIDENTIAL: THIS DRAWING AND ITS INFORMATION ARE THE EXCLUSIVE AND CONFIDENTIAL PROPERTY OF REGAL-BELOIT CORPORATION AND ARE NOT TO BE DISCLOSED, DUPLICATED, DISTRIBUTED OR OTHERWISE USED WITHOUT THE WRITTEN CONSENT OF REGAL-BELOIT CORPORATION. -ALL RIGHTS RESERVED.
--

DESCRIPTION	
MODEL-CFHP-56FR OUTLINE	
SIZE	DWG NO
C	B126
SCALE	SHEET
NONE	1

AO Smith

Performance Down Project: 0443247 (High Speed)

Wednesday, August 04, 2004 05:28 AM



TRACKING #: 10027136
 SBU: Pump
 ENGINEER: RAY PHILLIPS
 TECHNICIAN: DAN
 BENCH: 2
 TORQUE CELL: 350 lb-in
 NP RPM: 3450
 # SPEEDS: 1
 MOTOR #: 1
 TYPE: CX

CUSTOMER: A. O. SMITH
 MODEL: 0443247A
 FRAME: 56C
 PHASES: 1
 HP: 0.50
 VOLTS: 230.0
 HERTZ: 60
 START CAP: 0.00
 RUN CAP: 25.00
 COMMENT3:

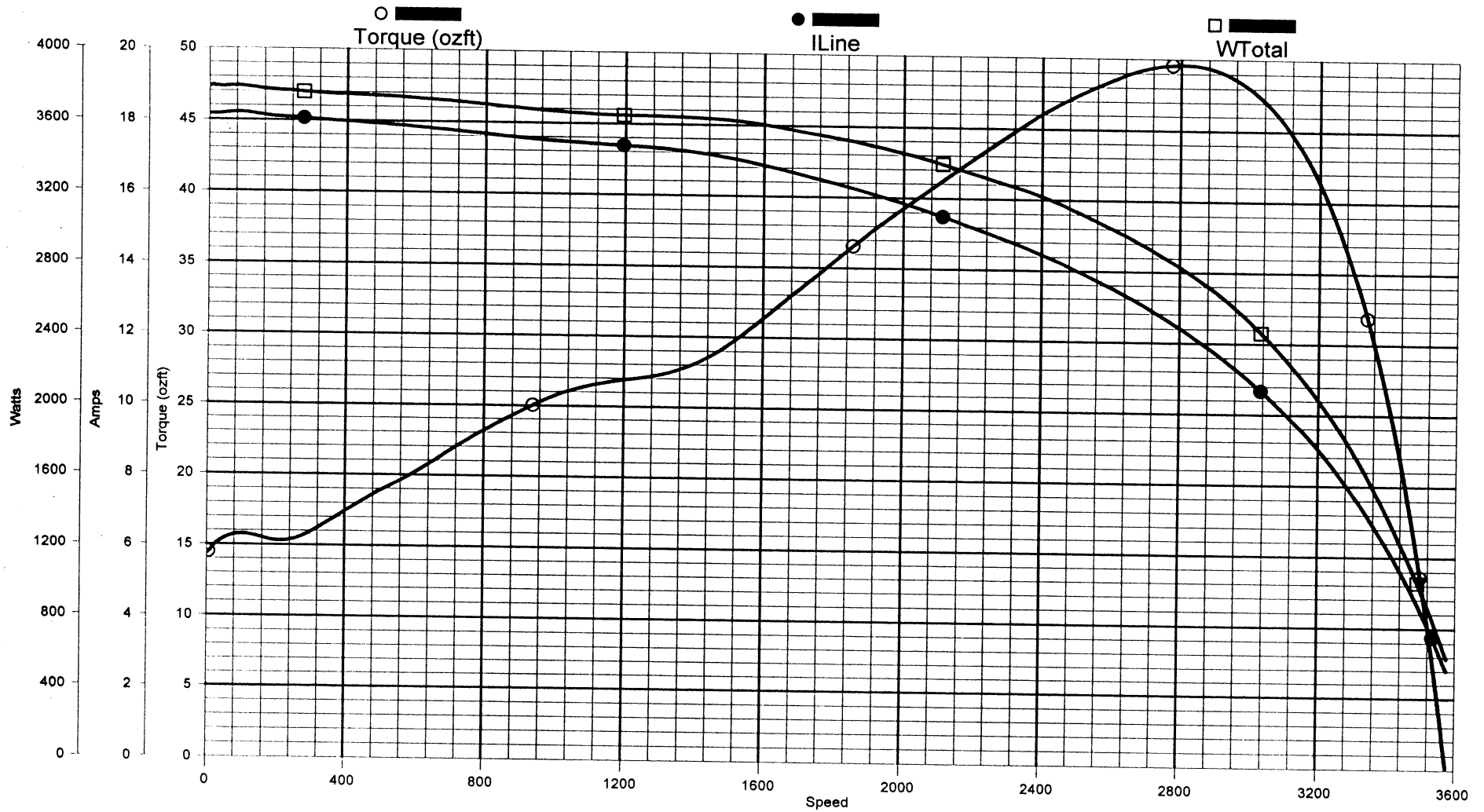
DESCRIPTION: OFFSET
 BDT: 54.98
 MT: 54.98
 SF: 19.20
 LRT: 0.00
 LRA: 0.00
 PUT: 0.00
 COMMENT1:
 COMMENT2:
 COMMENT4:

Breakdown TQ: 55.0 oz-ft
 Locked Rotor TQ: 16.0 oz-ft
 Locked Rotor Amps: 18.2 A
 Pull-up TQ: 15.3 oz-ft

AO Smith

Performance Up Project: 0443247 (High Speed)

Wednesday, August 04, 2004 05:46 AM



TRACKING #: 10027136
 SBU: Pump
 ENGINEER: RAY PHILLIPS
 TECHNICIAN: DAN
 BENCH: 2
 TORQUE CELL: 350 lb-in
 NP RPM: 3450
 # SPEEDS: 1
 MOTOR #: 1
 TYPE: CX

CUSTOMER: A. O. SMITH
 MODEL: 0443247A
 FRAME: 56C
 PHASES: 1
 HP: 0.50
 VOLTS: 230.0
 HERTZ: 60
 START CAP: 0.00
 RUN CAP: 25.00
 COMMENT3:

DESCRIPTION: 0-SYNC
 BDT: 49.60
 MT: 49.60
 SF: 19.20
 LRT: 14.35
 LRA: 18.16
 PUT: 14.35
 COMMENT1:
 COMMENT2:
 COMMENT4: