

# PRODUCT INFORMATION PACKET



Model No: ARB2026SV1  
Catalog No: ARB2026SV1

Fan and Blower Motor, .25 HP, 1 Ph, 60 Hz, 115/208-230 V, 1200 RPM, 48Y Frame, TEAO



Regal and Century are trademarks of Regal Rexnord Corporation or one of its affiliated companies.

©2023 Regal Rexnord Corporation, All Rights Reserved. MC017097E





**Nameplate Specifications**

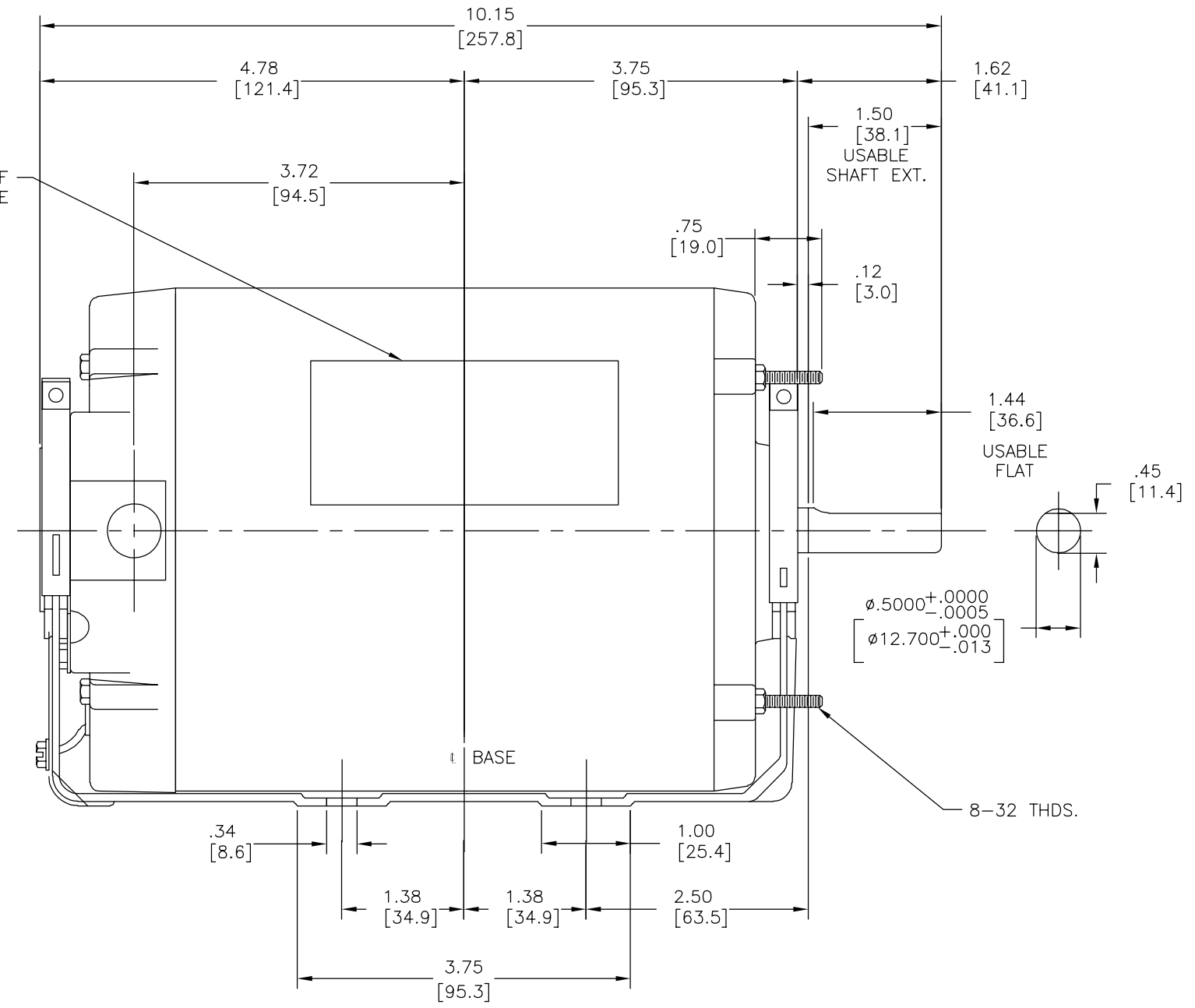
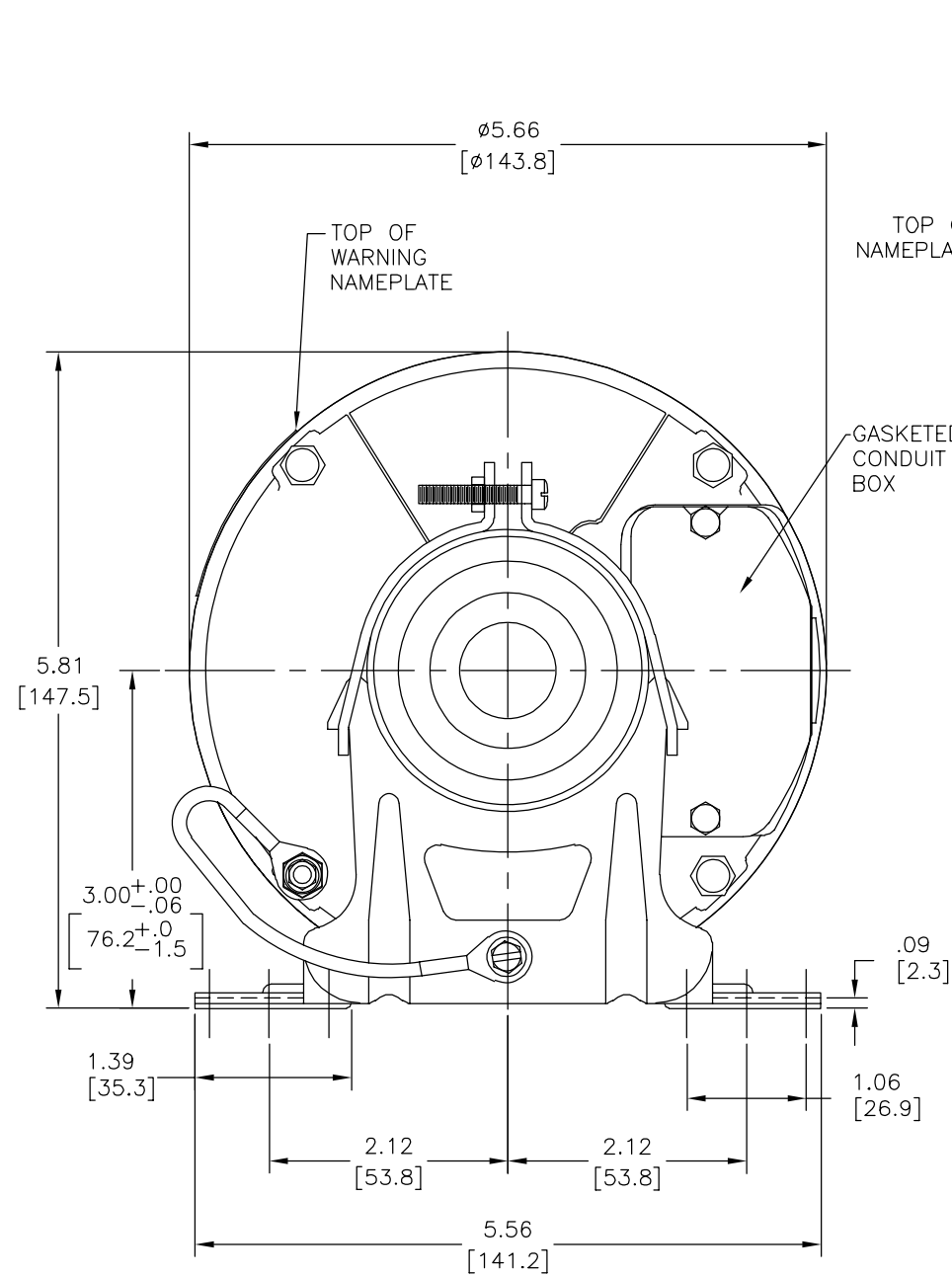
Phase	1	Output HP	.25 Hp
Output KW	0.19 kW	Voltage	115/208-230 V
Speed	1140 rpm	Service Factor	1.0
Frame	48Y	Enclosure	Totally Enclosed Air Over
Thermal Protection	Automatic	Ambient Temperature	40 °C
Frequency	60 Hz	Current	6.2/2.8-3.1 A
Duty	Continuous	Insulation Class	B
UL	Recognized	CSA	Y
CE	N	Number of Speeds	1

**Technical Specifications**

Electrical Type	Split Phase	Starting Method	Across The Line
Poles	6	Rotation	Reversible
Mounting	Resilient Base	Drive End Bearing	Ball
Opp Drive End Bearing	Ball	Frame Material	Rolled Steel
Shaft Type	Flat	Overall Length	10.15 in
Frame Length	5.69 in	Shaft Diameter	0.500 in
Shaft Extension	1.62 in		
Outline Drawing	ARB2026SV1	Connection Drawing	621804-001A

This is an uncontrolled document once printed or downloaded and is subject to change without notice. Date Created:09/27/2023

REV	ECO	REV BY	DATE	APPD	DATE
B	0025364	A.CHEN	04-17-2012	B.SHEN	04-17-2012



GEOMETRIC CHARACTERISTICS & SYMBOLS

- ▭ FLATNESS
- STRAIGHTNESS
- ∠ ANGULARITY
- ⊥ PERPENDICULARITY (SQUARENESS)
- // PARALLELISM
- ROUNDNESS (CIRCULARITY)
- ⊘ CYLINDRICITY
- △ PROFILE OF ANY SURFACE
- ∧ PROFILE OF ANY LINE
- ↗ RUNOUT
- ⊕ TRUE POSITION
- ◎ CONCENTRICITY
- ≡ SYMMETRY

ASME Y14.5M 1994

UNLESS OTHERWISE SPECIFIED DIM. TOLERANCES ARE AS FOLLOWS:

INCH	X	XX	XXX	XXXX
mm	±0.1	±0.02	±0.005	±0.0005
mm	±0.5	±0.13	±0.013	

ANG. ±.50 DEG  
REMOVE BURRS & BREAK SHARP EDGES:  
INCH .003-.015 mm 0.1-0.4  
CORNER FILLETS TO:  
INCH .020 mm 0.5  
MACHINE SURFACES:  
INCH 125 mm 3.2

METRIC DIMS. SHOWN IN [BRACKETS]

DR BY: C. CARRILLO 02-05-2009

APPD: Matt Scott 02-05-2009

THIRD ANGLE PROJECTION

EDS DATE 11-11-2011  
FORMAT REV G

CONFIDENTIAL: THIS DRAWING AND ITS INFORMATION ARE THE EXCLUSIVE AND CONFIDENTIAL PROPERTY OF REGAL-BELOIT CORPORATION AND ARE NOT TO BE DISCLOSED, DUPLICATED, DISTRIBUTED OR OTHERWISE USED WITHOUT THE WRITTEN CONSENT OF REGAL-BELOIT CORPORATION. -ALL RIGHTS RESERVED.

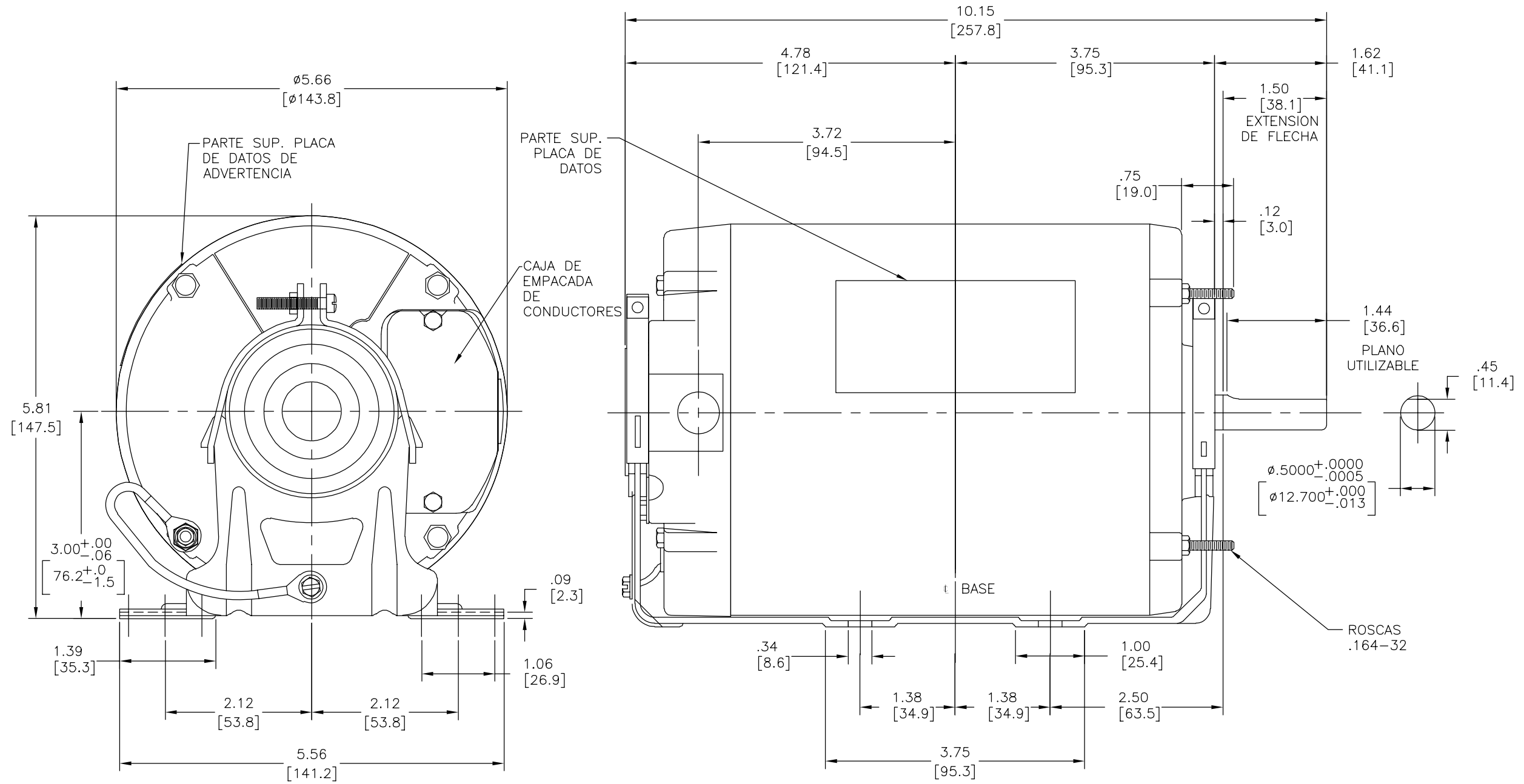
REGAL-BELOIT CORPORATION

DESCRIPTION: OUTLINE

SIZE: C DWG NO: ARB2026SV1

SCALE: NONE SHEET: 1

REVISION:	ECO	REVISADO POR:	FECHA:	APROBADO POR:	FECHA:
B	0025364	A.CHEN	04-17-2012	B.SHEN	04-17-2012



CARACTERISTICAS DE GEOMETRIA Y SIMBOLOS

- PLANICIDAD
- RECTITUD
- ∠ ANGULARIDAD
- ⊥ PERPENDICULARIDAD (A ESCUADRA)
- // PARALELISMO
- REDONDEZ (CIRCULARIDAD)
- ∅ CILINDRICIDAD
- △ PERFIL DE CUALQUIER SUPERFICIE
- ∧ PERFIL DE CUALQUIER LINEA
- ∧ VARIACION
- ⊕ POSICION REAL
- ◎ CONCENTRICIDAD
- = SIMETRIA

ASME Y14.5M 1994

A MENOS QUE SE ESPECIFIQUE DE OTRA MANERA, LAS TOLERANCIAS DE LAS DIMS; SON LAS SIGUIENTES:

PULG	±.1	±.02	±.005	±.0005
mm	±0.5	±0.13	±0.013	

ANG. ±.50 GRADOS  
ELIMINAR REBABAS Y ORILLAS FILOSAS DEL BORDE.  
PULG .003-.015 mm 0.1-0.4  
FILETEAR ESQUINA: PULG .020 mm 0.5  
MAQUINAR SUPERFICIES  
PULG 125 mm .32

DIMS METRICAS MOSTRADAS [PARENTESIS]

DIBUJADO POR:	C. CARRILLO	02-05-2009
APROBADO POR:	Matt Scott	02-05-2009
TERCER ANGULO DE PROYECCION		FECHA EDS: 11-11-2011 REV. FORMATO: G

CONFIDENCIAL: ESTE DIBUJO Y SU INFORMACION SON PROPIEDAD DE USO EXCLUSIVO Y CONFIDENCIAL DE REGAL-BELOIT CORPORATION. Y NO DEBERAN SER REVELADOS, DUPLICADOS, DISTRIBUIDOS O USARSE DE OTRA MANERA SIN EL CONSENTIMIENTO ESCRITO DE REGAL-BELOIT CORPORATION. -TODOS LOS DERECHOS RESERVADOS.

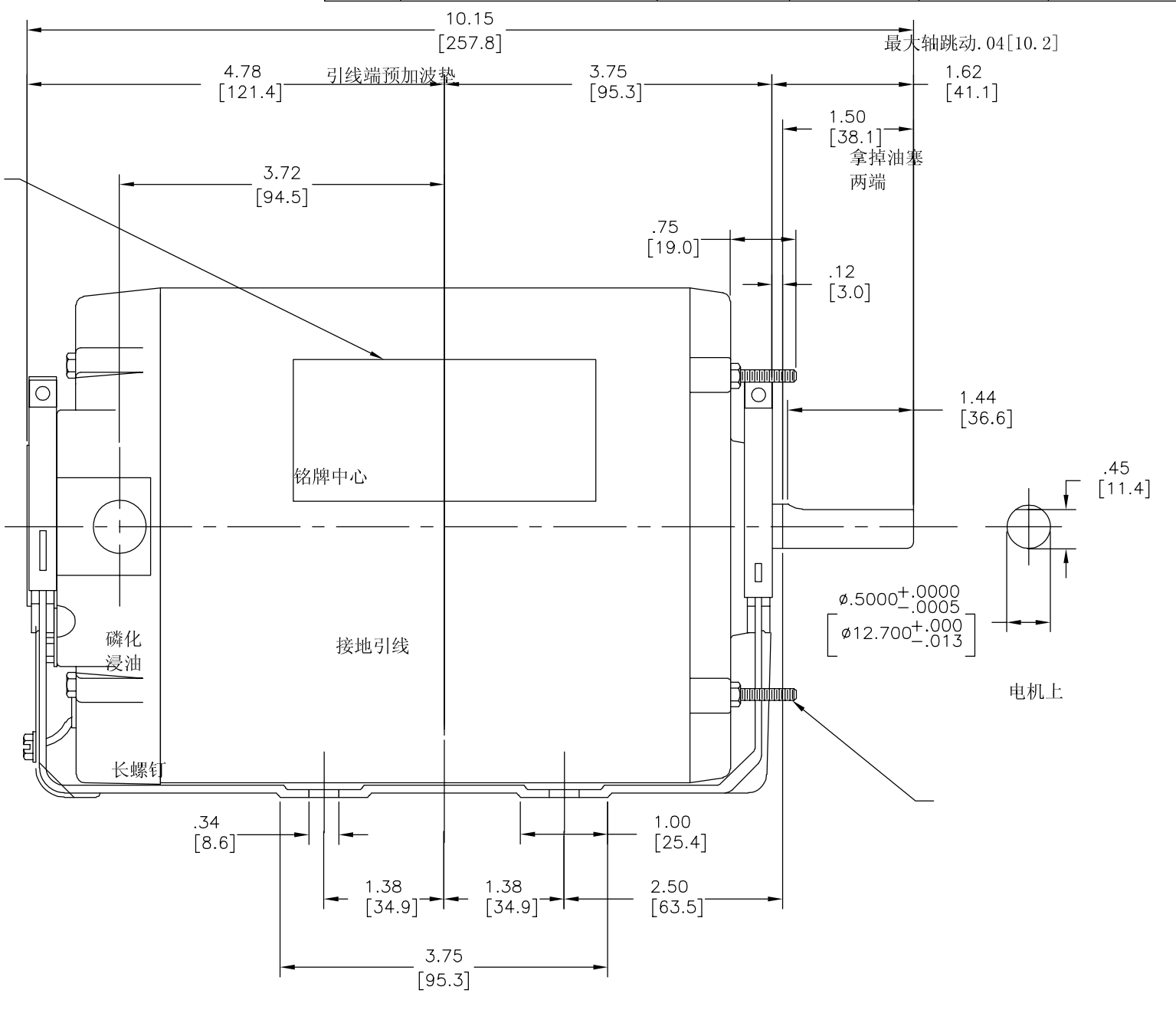
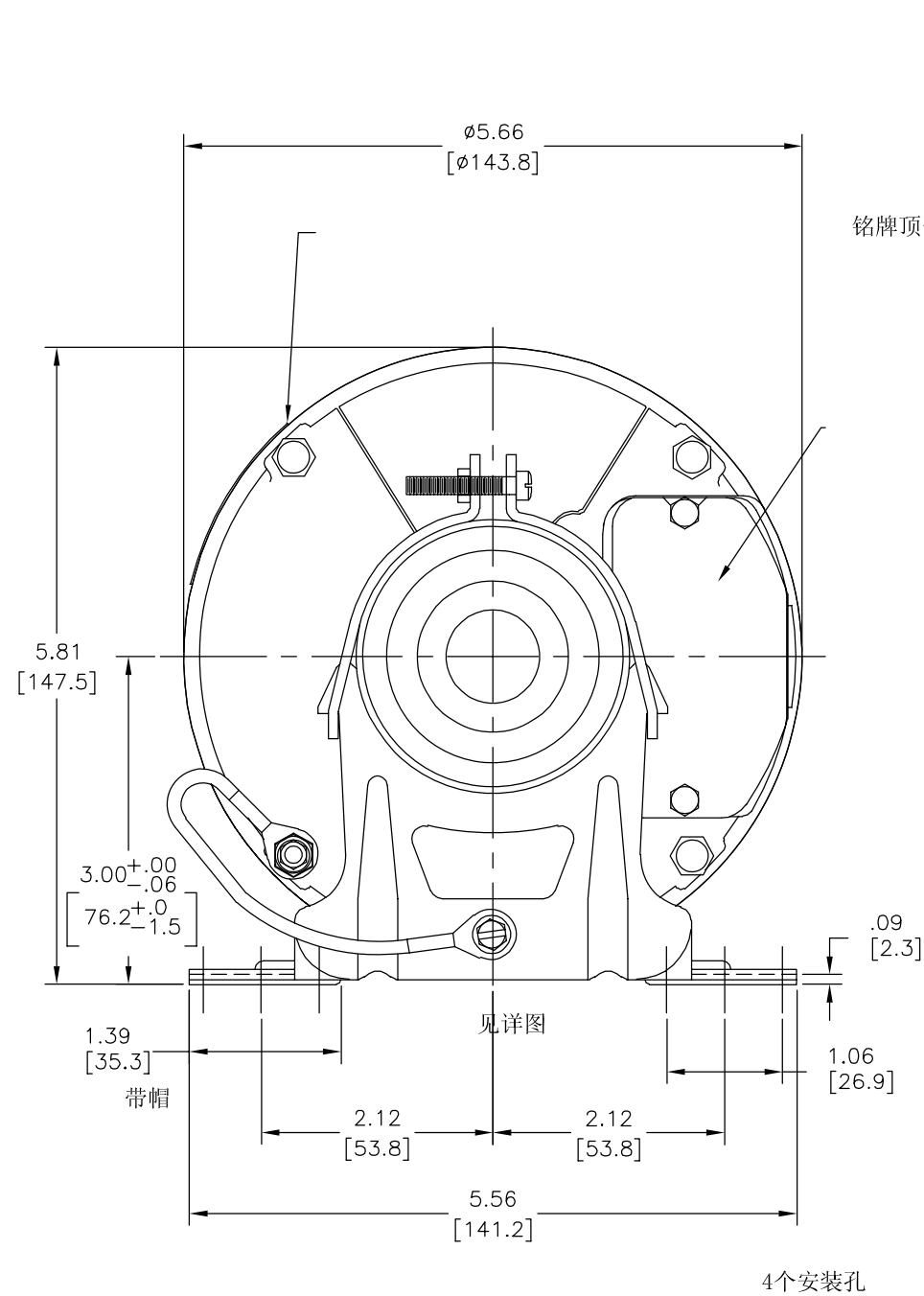
DESCRIPCION:	
OUTLINE	
TAMAÑO: C	NUMERO DE DIBUJO: ARB2026SV1
ESCALA: NONE	HOJA: 1

4 3 2 1

版本	ECO	编制	日期	批准	日期
B	0025364	A.CHEN	04-17-2012	B.SHEN	04-17-2012

D  
C  
B  
A

D  
C  
B  
A



电机按引线端逆时针旋转方向连接性能曲线

形位公差 □ 平面度 — 直线度 ∠ 倾斜度 ⊥ 垂直度 ∥ 平行度 ○ 圆度 ⊘ 圆柱度 △ 面轮廓度 ⌒ 线轮廓度 ↗ 圆跳动 ⊕ 位置度 ⊙ 同轴度 ≡ 对称度	除另有注明 尺寸公差如下: 英寸 X XX XXX XXXX 毫米 ±0.1 ±0.02 ±0.005 ±0.0005 角度 ±.50 度 清理毛刺和尖棱 英寸 .003-.015 毫米 0.1-0.4 内圆角 英寸 .020 毫米 0.5 表面粗糙度 英制 125 米制 3.2
--	--

ASME Y14.5M 1994

绘图:	C. CARRILLO	02-05-2009
批准:	Matt Scott	02-05-2009
第三角投影		图纸格式发布日期 11-11-2011 图纸格式版本 G
机密: 本图纸及相关信息所有权归REGAL-BELOIT CORPORATION. 未经REGAL-BELOIT CORPORATION书面授权, 不得泄露、复制、传播或作其他用途。—版权所有		

名称	OUTLINE
图幅	C
图号	ARB2026SV1
比例	NONE
页号	1

4 3 2 1