

# PRODUCT INFORMATION PACKET



Model No: ARB2024L3

Catalog No: ARB2024L3

Fan and Blower Motor, 1/4 HP, 1 Ph, 60 Hz, 115/208-230 V, 1800 RPM, 48Y Frame, TEAO



Regal and Century are trademarks of Regal Rexnord Corporation or one of its affiliated companies.

©2023 Regal Rexnord Corporation, All Rights Reserved. MC017097E





**Nameplate Specifications**

Phase	1	Output HP	1/4 Hp
Output KW	0.19 kW	Voltage	115/208-230 V
Speed	1725 rpm	Service Factor	1.00
Frame	48Y	Enclosure	Totally Enclosed Air Over
Thermal Protection	Automatic	Ambient Temperature	40 °C
Frequency	60 Hz	Current	3.3/1.7-1.7 A
Duty	Continuous	Insulation Class	B
UL	Recognized	CSA	Y
CE	N	Number of Speeds	1

**Technical Specifications**

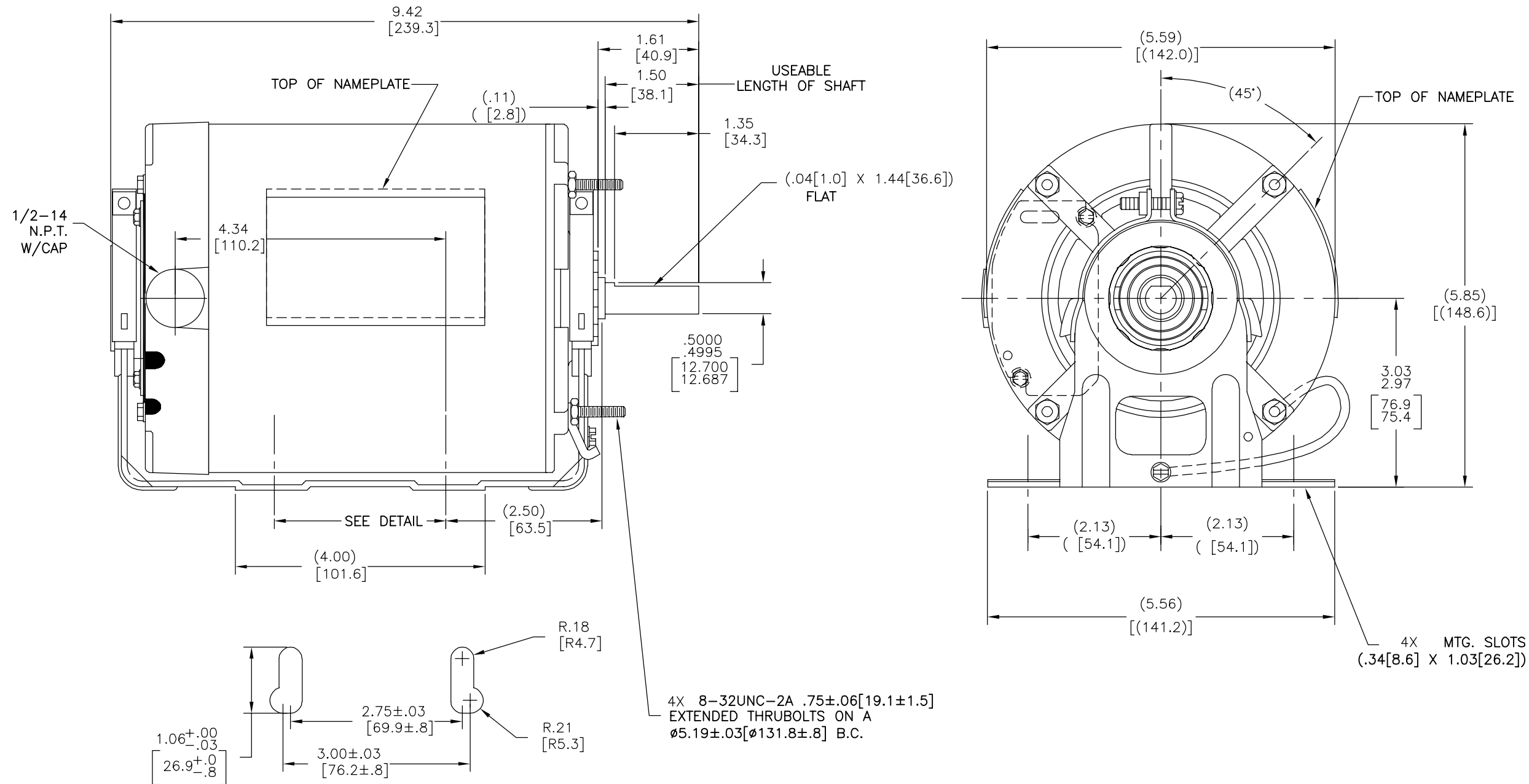
Electrical Type	Split Phase	Starting Method	Across The Line
Poles	4	Rotation	Reversible
Mounting	Resilient Base	Drive End Bearing	Ball
Opp Drive End Bearing	Ball	Frame Material	Rolled Steel
Shaft Type	Flat	Overall Length	9.42 in
Frame Length	4.94 in	Shaft Diameter	0.500 in
Shaft Extension	1.5 in		
Outline Drawing	ARB2024L3-S01	Connection Drawing	626883-001A

This is an uncontrolled document once printed or downloaded and is subject to change without notice. Date Created:09/27/2023

REV	ECO	REV BY	DATE	APPD	DATE
C	0025364	A.CHEN	04-17-2012	B.SHEN	04-17-2012

ALL DIMENSIONS SHOWN IN PARENTHESIS ARE REFERENCE DIMENSIONS. ALL OTHER DIMENSIONS ARE TOLERANCED PER THE FOLLOWING CHART UNLESS OTHERWISE SPECIFIED.

"C" DIM. = +/- .055[1.40]  
 SHAFT EXT. = +/- .034[.86]  
 LEAD LENGTHS = +/- 1.00[25.4]  
 EXTENDED  
 THRU-BOLTS = +/- .050[1.27]  
 ANGULAR DIMS. = +/- 2 DEGS.



GEOMETRIC CHARACTERISTICS & SYMBOLS

- ∕ FLATNESS
- STRAIGHTNESS
- ∠ ANGULARITY
- ⊥ PERPENDICULARITY (SQUARENESS)
- ∥ PARALLELISM
- ROUNDNESS (CIRCULARITY)
- ⊘ CYLINDRICITY
- △ PROFILE OF ANY SURFACE
- ⌒ PROFILE OF ANY LINE
- ↗ RUNOUT
- ⊕ TRUE POSITION
- ◎ CONCENTRICITY
- ≡ SYMMETRY

ASME Y14.5M 1994

UNLESS OTHERWISE SPECIFIED DIM. TOLERANCES ARE AS FOLLOWS:

INCH	±.1	±.02	±.005	±.0005
mm	±0.5	±0.13	±0.013	

ANG. ±.50 DEG  
 REMOVE BURRS & BREAK SHARP EDGES:  
 INCH .003-.015 mm 0.1-0.4  
 CORNER FILLETS TO:  
 INCH .020 mm 0.5  
 MACHINE SURFACES:  
 INCH 125 mm 3.2  
 METRIC DIMS. SHOWN IN [BRACKETS]

DR BY:	SARA.H	08-27-2008
APPD:		
THIRD ANGLE PROJECTION	EDS DATE 11-11-2011	FORMAT REV G
CONFIDENTIAL: THIS DRAWING AND ITS INFORMATION ARE THE EXCLUSIVE AND CONFIDENTIAL PROPERTY OF REGAL-BELOIT CORPORATION AND ARE NOT TO BE DISCLOSED, DUPLICATED, DISTRIBUTED OR OTHERWISE USED WITHOUT THE WRITTEN CONSENT OF REGAL-BELOIT CORPORATION. -ALL RIGHTS RESERVED.		

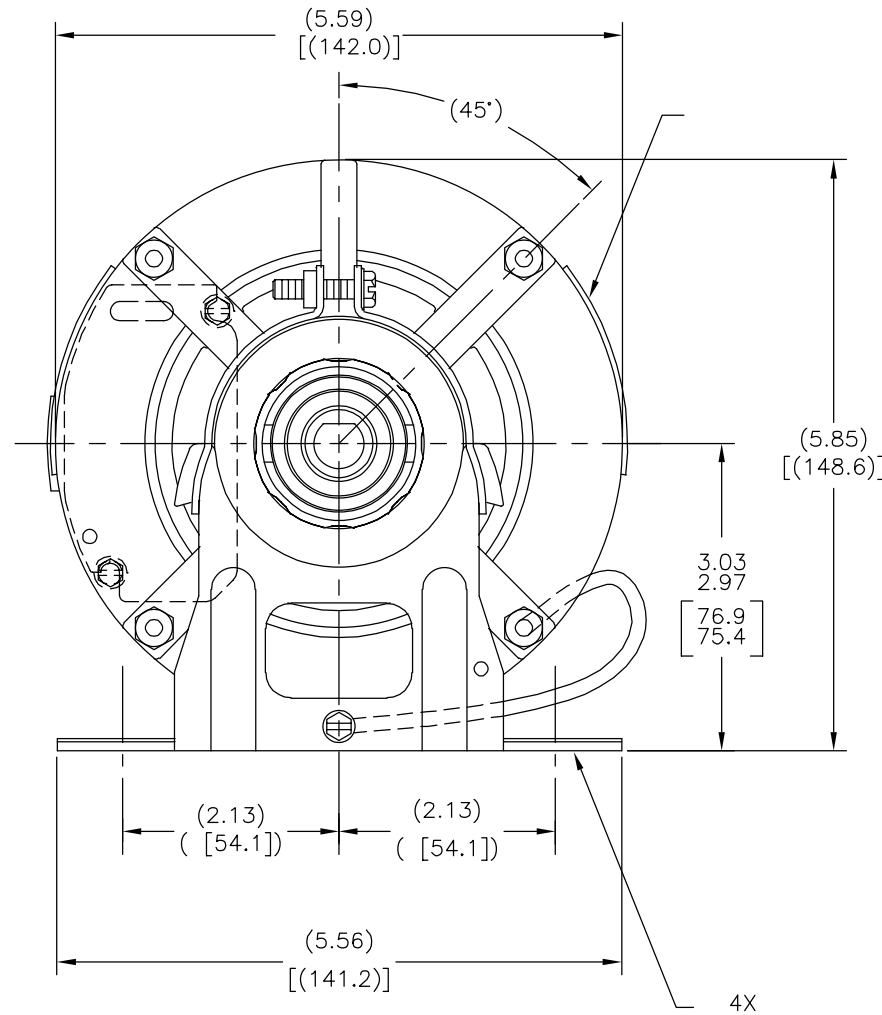
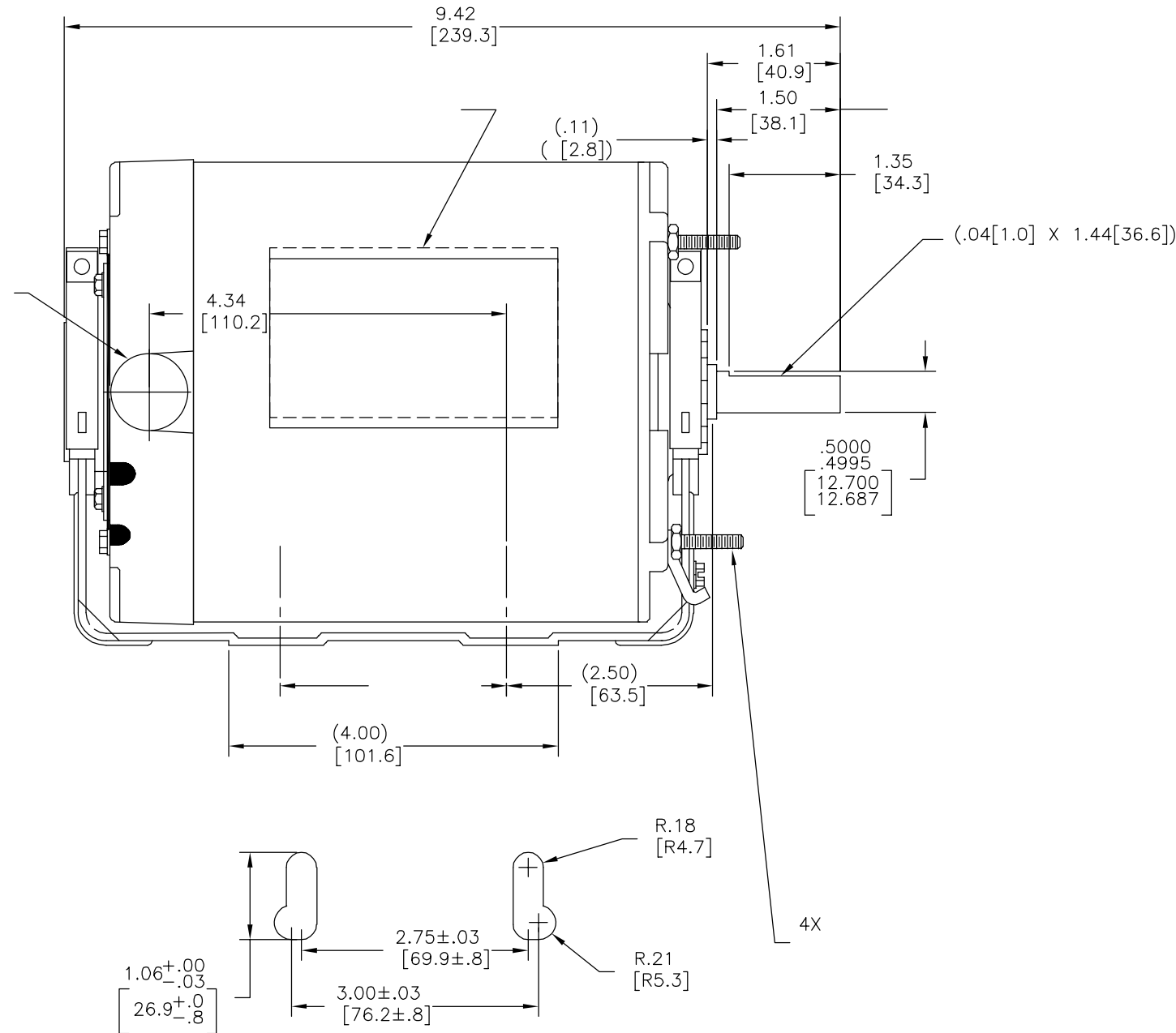


DESCRIPTION		OUTLINE
SIZE	C	DWG NO ARB2024L3
SCALE	NONE	SHEET 1



版本	ECO	编制	日期	批准	日期
C	0025364	A.CHEN	04-17-2012	B.SHEN	04-17-2012

- = +/- .055[1.40]
- = +/- .034[.86]
- = +/- 1.00[25.4]
- = +/- .050[1.27]
- = +/- 2 DEGS.



形位公差	除另有注明
□ 平面度	尺寸公差如下:
— 直线度	英寸 ±.1 XX XXX XXXX
∠ 倾斜度	毫米 ±0.5 ±0.13 ±0.013 ±.0005 ±.0005
⊥ 垂直度	角度 ±.50 度
// 平行度	清理毛刺和尖棱
○ 圆度	英寸 .003-.015 毫米 0.1-0.4
⊙ 圆柱度	内圆角
⌒ 面轮廓度	英寸 .020 毫米 0.5
⌒ 线轮廓度	表面粗糙度
↗ 圆跳动	英制 125 米制 3.2
⊕ 位置度	米制尺寸显示在 [ ]
⊙ 同轴度	
≡ 对称度	

ASME Y14.5M 1994

绘图:	SARA.H	08-27-2008
批准:		
第三角投影		图纸格式发布日期 11-11-2011 图纸格式版本 G
机密: 本图纸及相关信息所有权归REGAL-BELOIT CORPORATION. 未经REGAL-BELOIT CORPORATION书面授权, 不得泄露、复制、传播或作其他用途。—版权所有		

名称	OUTLINE
图幅	C
图号	ARB2024L3
比例	NONE
页号	1

比例	NONE	页号	1
----	------	----	---