

# PRODUCT INFORMATION PACKET



Model No: ARB2024L2  
Catalog No: ARB2024L2  
Fan and Blower Motor, 1/4-1/12 HP, 1 Ph, 60 Hz, 115 V, 1800 RPM, 56Z Frame, TEAO



Regal and Century are trademarks of Regal Rexnord Corporation or one of its affiliated companies.  
©2023 Regal Rexnord Corporation, All Rights Reserved. MC017097E





**Nameplate Specifications**

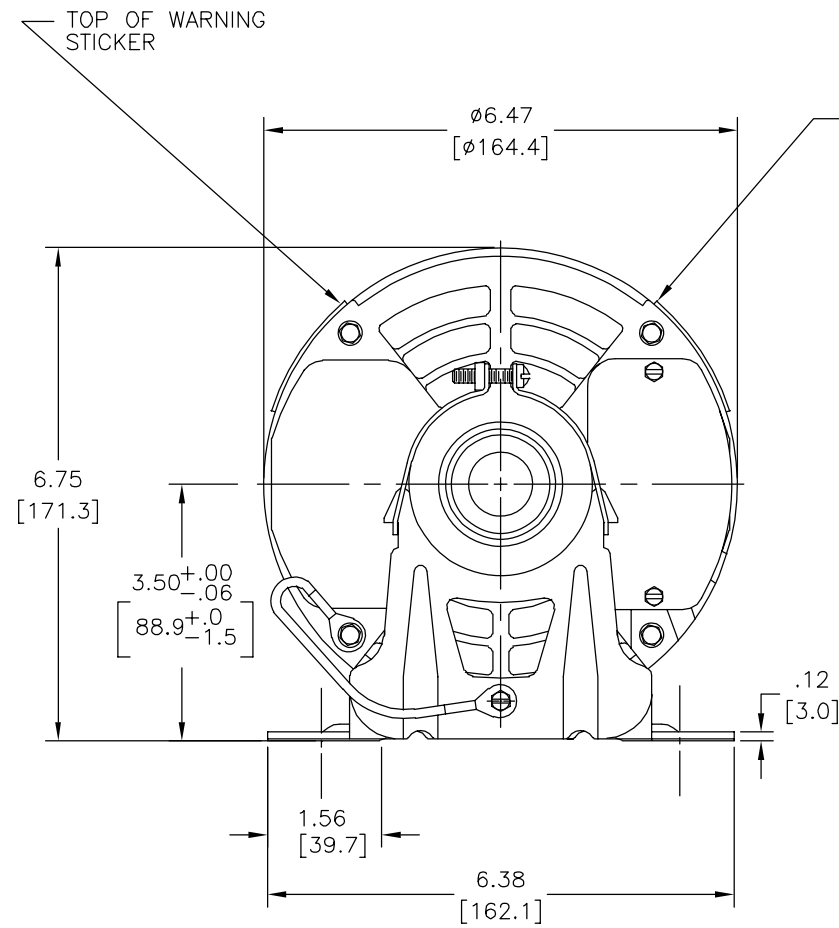
Output HP	1/4-1/12 Hp	Output KW	0.19 kW
Frequency	60 Hz	Voltage	115 V
Current	4.4/3.0 A	Speed	1725/1140 rpm
Service Factor	1	Phase	1
Duty	Continuous	Insulation Class	B
Frame	56Z	Enclosure	Totally Enclosed Air Over
Thermal Protection	No Protection	Ambient Temperature	40 °C
UL	No	CSA	Y
CE	N	Number of Speeds	1

**Technical Specifications**

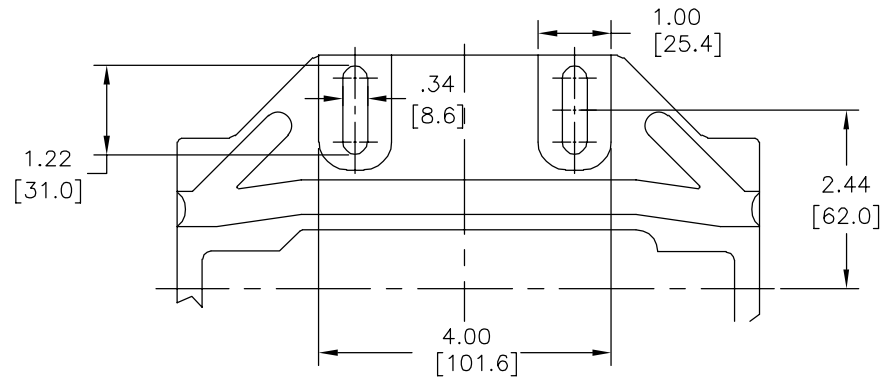
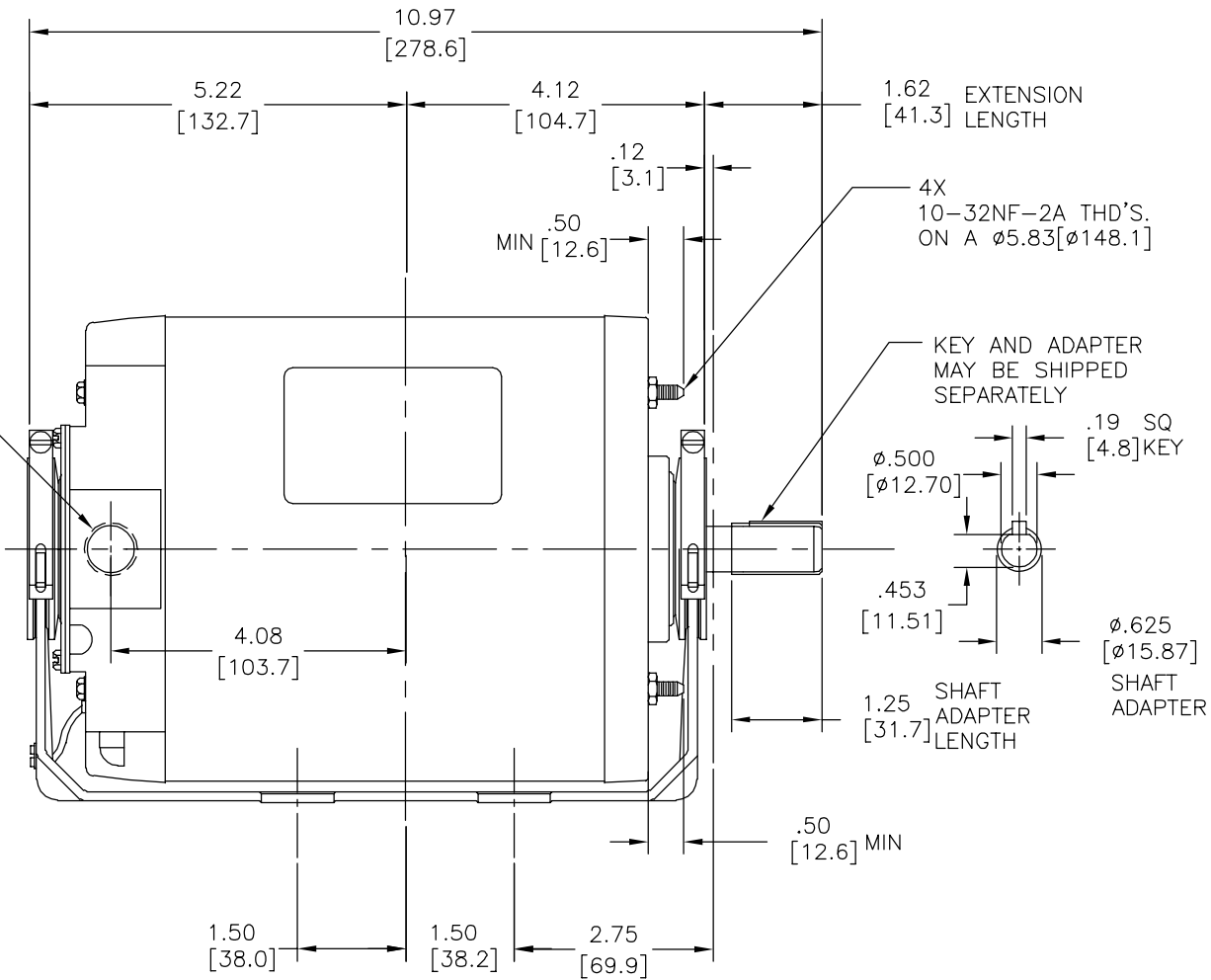
Electrical Type	Split Phase	Starting Method	Across The Line
Poles	4/6	Rotation	Reversible
Mounting	Resilient Base	Drive End Bearing	Ball
Opp Drive End Bearing	Ball	Frame Material	Rolled Steel
Shaft Type	Keyed	Overall Length	10.97 in
Frame Length	6.19 in	Shaft Diameter	0.625 in
Shaft Extension	1.62 in		
Connection Drawing	620005-013A	Outline Drawing	ARB2024L2-S01

This is an uncontrolled document once printed or downloaded and is subject to change without notice. Date Created:03/15/2023

REV	ECO	REV BY	DATE	APPD	DATE
B	ECO-0025365	T.HUANG	04-17-2012	B.C.SHEN	04-17-2012



1/2-14 PIPE TAP FOR CONDUIT CONNECTION (PLUGGED)



GEOMETRIC CHARACTERISTICS & SYMBOLS

- ▭ FLATNESS
- STRAIGHTNESS
- ∠ ANGULARITY
- ⊥ PERPENDICULARITY (SQUARENESS)
- // PARALLELISM
- ROUNDNESS (CIRCULARITY)
- ⊘ CYLINDRICITY
- △ PROFILE OF ANY SURFACE
- ∩ PROFILE OF ANY LINE
- ↗ RUNOUT
- ⊕ TRUE POSITION
- ◎ CONCENTRICITY
- ≡ SYMMETRY

ASME Y14.5M 1994

UNLESS OTHERWISE SPECIFIED DIM. TOLERANCES ARE AS FOLLOWS:

INCH	±.1	±.02	±.005	±.0005
mm	±0.5	±0.13	±0.013	

ANG. ±.50 DEG  
REMOVE BURRS & BREAK SHARP EDGES:  
INCH .003-.015 mm 0.1-0.4  
CORNER FILLETS TO:  
INCH .020 mm 0.5  
MACHINE SURFACES:  
INCH 125 mm 3.2

METRIC DIMS. SHOWN IN [BRACKETS]

DR BY: Baocheng.Shen 10-23-2008

APPD: TOM.ZHAO 10-23-2008

THIRD ANGLE PROJECTION

EDS DATE 11-11-2011  
FORMAT REV G

CONFIDENTIAL: THIS DRAWING AND ITS INFORMATION ARE THE EXCLUSIVE AND CONFIDENTIAL PROPERTY OF REGAL-BELOIT CORPORATION AND ARE NOT TO BE DISCLOSED, DUPLICATED, DISTRIBUTED OR OTHERWISE USED WITHOUT THE WRITTEN CONSENT OF REGAL-BELOIT CORPORATION. -ALL RIGHTS RESERVED.

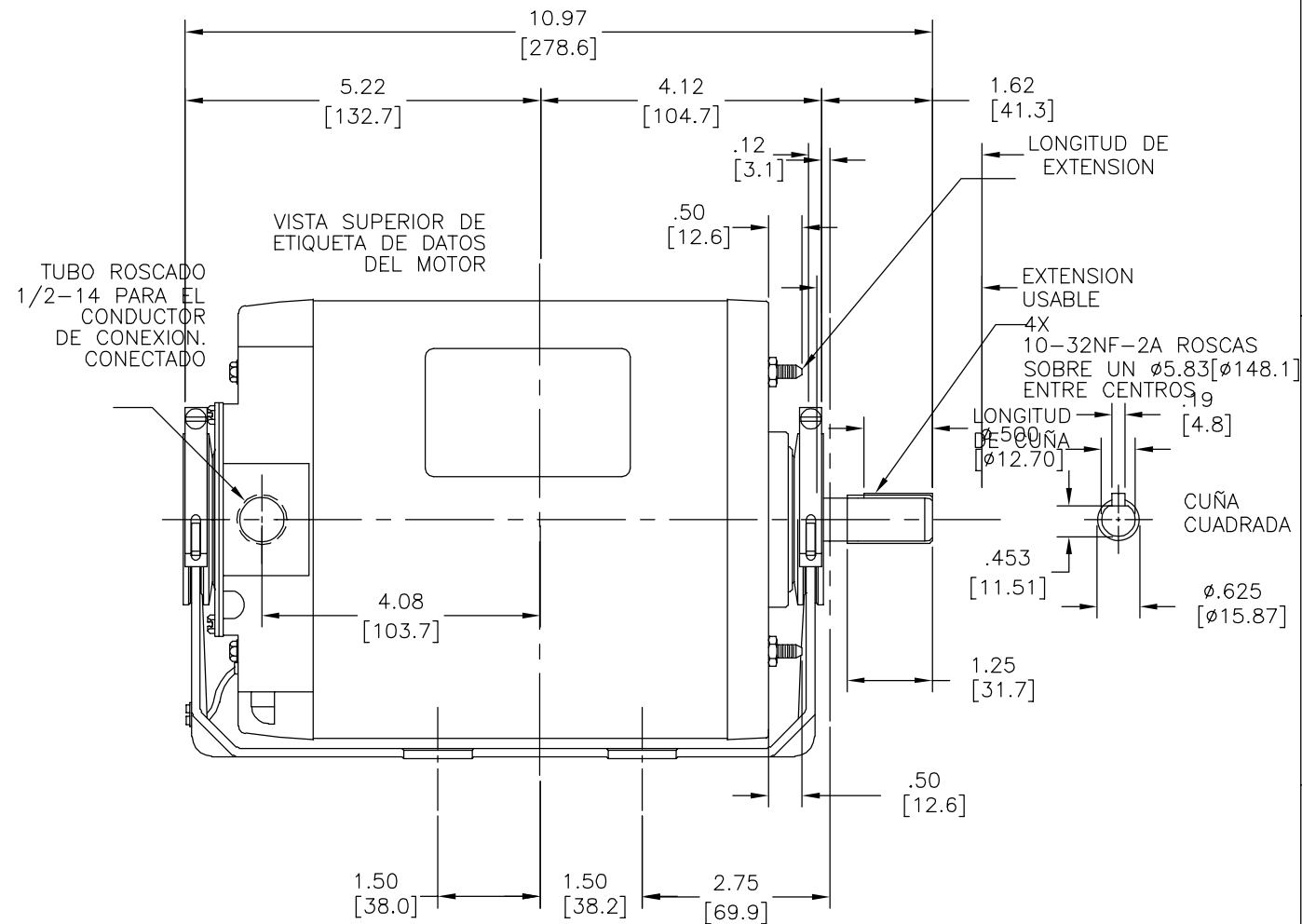
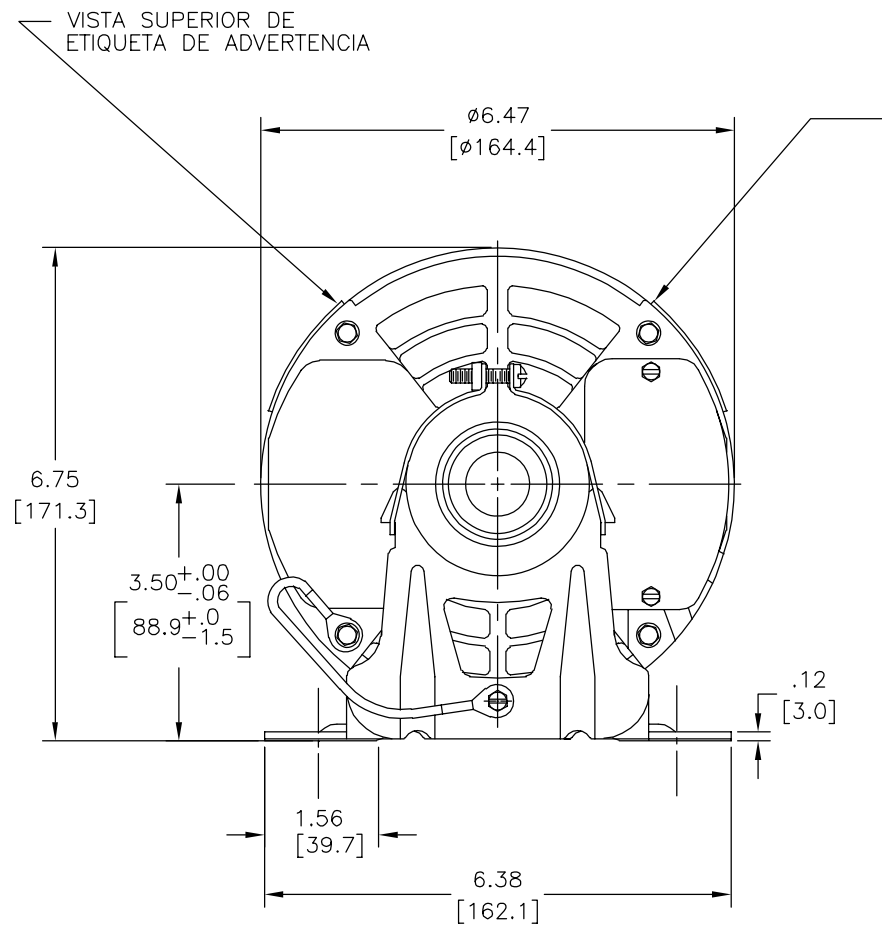
**REGAL-BELOIT CORPORATION**

DESCRIPTION: OUTLINE

SIZE: C DWG NO: ARB2024L2

SCALE: NONE SHEET: 1

REVISION:	ECO	REVISADO POR:	FECHA:	APROBADO POR:	FECHA:
B	ECO-0025365	T.HUANG	04-17-2012	B.C.SHEN	04-17-2012



NUM. MOTOR # CURVA DE FUNC. LONG. CARCAZA

LONGITUD EXTENSION LONGITUD # MODELO EXTENSION USABLE DE CUÑA GRAINGER

CARACTERISTICAS DE GEOMETRIA Y SIMBOLOS

- ▭ PLANICIDAD
- RECTITUD
- ∠ ANGULARIDAD
- ⊥ PERPENDICULARIDAD (A ESCUADRA)
- // PARALELISMO
- REDONDEZ (CIRCULARIDAD)
- ⊘ CILINDRICIDAD
- △ PERFIL DE CUALQUIER SUPERFICIE
- ∧ PERFIL DE CUALQUIER LINEA
- ∧ VARIACION
- ⊕ POSICION REAL
- ◎ CONCENTRICIDAD
- = SIMETRIA

A MENOS QUE SE ESPECIFIQUE DE OTRA MANERA, LAS TOLERANCIAS DE LAS DIMS. SON LAS SIGUIENTES:

PULG ±.1 ±.02 ±.005 ±.0005

mm ±0.5 ±0.13 ±0.013

ANG. ± 50 GRADOS

ELIMINAR REBABAS Y ORILLAS FILOSAS DEL BORDE.

PULG .003-.015 mm 0.1-0.4

FILETEAR ESQUINA: PULG .020 mm 0.5

MAQUINAR SUPERFICIES

PULG 125 mm 3.2

DIMS METRICAS MOSTRADAS [PARENTESIS]

DIBUJADO POR: Baocheng.Shen 10-23-2008

APROBADO POR: TOM.ZHAO 10-23-2008

TERCER ANGULO DE PROYECCION

FECHA EDS: 11-11-2011

REV. FORMATO: G

CONFIDENCIAL: ESTE DIBUJO Y SU INFORMACION SON PROPIEDAD DE USO EXCLUSIVO Y CONFIDENCIAL DE REGAL-BELOIT CORPORATION. Y NO DEBERAN SER REVELADOS, DUPLICADOS, DISTRIBUIDOS O USARSE DE OTRA MANERA SIN EL CONSENTIMIENTO ESCRITO DE REGAL-BELOIT CORPORATION. -TODOS LOS DERECHOS RESERVADOS.

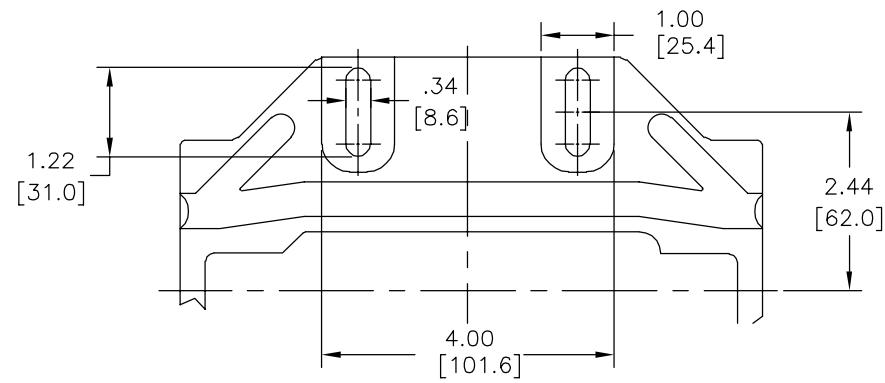
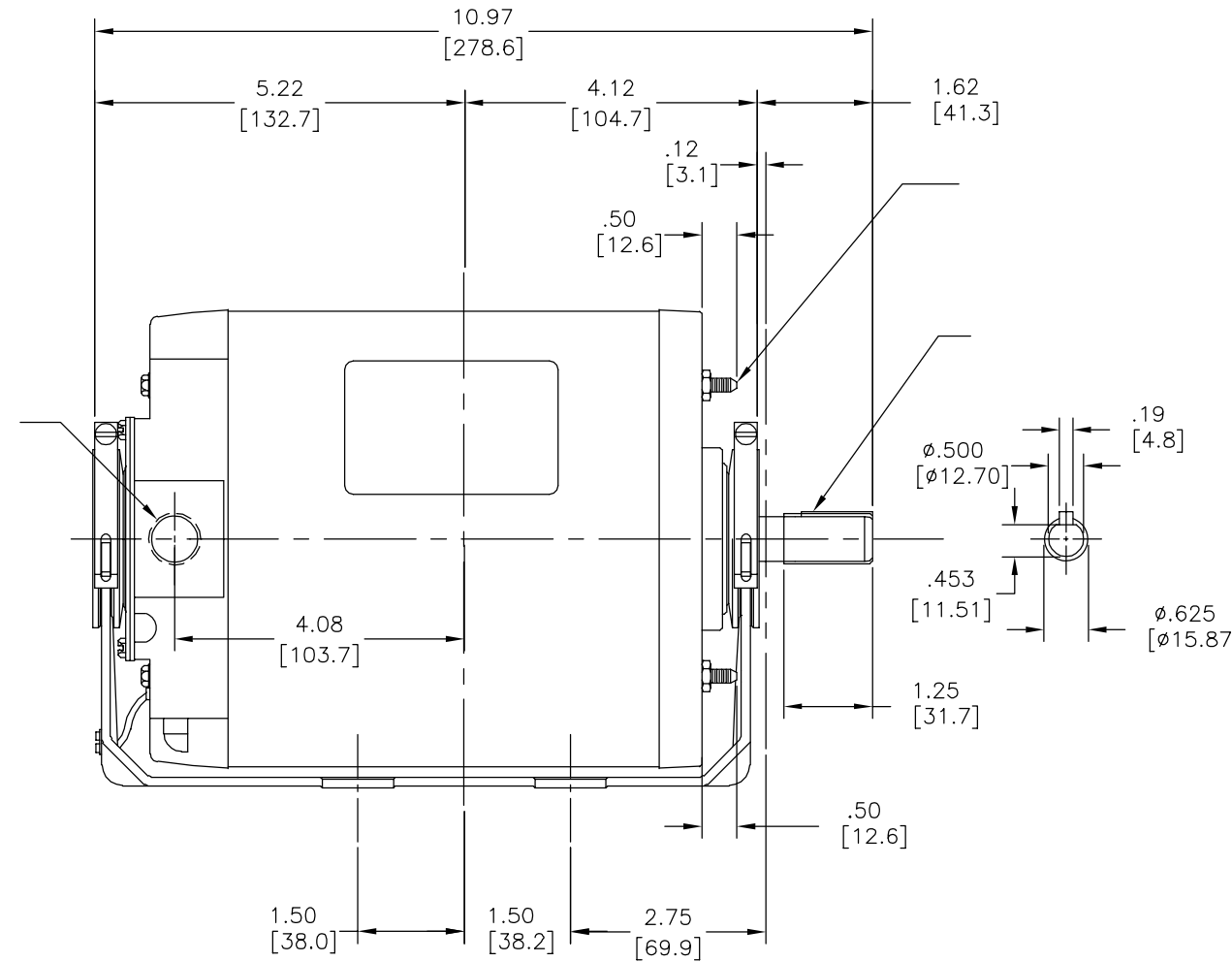
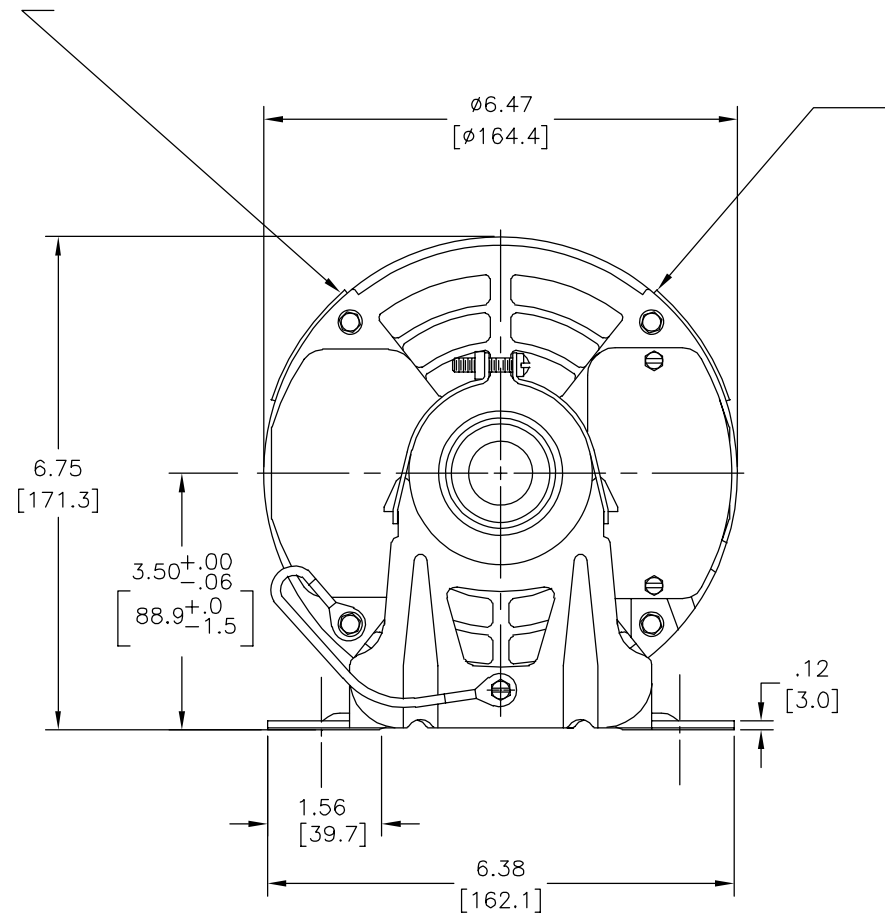
**REGAL-BELOIT CORPORATION**

DESCRIPCION: OUTLINE

TAMAÑO: C NUMERO DE DIBUJO: ARB2024L2

ESCALA: NONE HOJA: 1

版本	ECO	编制	日期	批准	日期
B	ECO-0025365	T.HUANG	04-17-2012	B.C.SHEN	04-17-2012



形位公差	除另有注明
□ 平面度	尺寸公差如下:
— 直线度	英寸 X XX XXX XXXX
∠ 倾斜度	英寸 ±.1 ±.02 ±.005 ±.0005
⊥ 垂直度	毫米 ±0.5 ±0.13 ±0.013
// 平行度	角度 ±.50 度
○ 圆度	清理毛刺和尖棱
⊙ 圆柱度	英寸 .003-.015 毫米 0.1-0.4
△ 面轮廓度	内圆角
∩ 线轮廓度	英寸 .020 毫米 0.5
↗ 圆跳动	表面粗糙度
⊕ 位置度	英制 125 米制 3.2
⊗ 同轴度	米制尺寸显示在 [ ]
≡ 对称度	

ASME Y14.5M 1994

绘图:	Baocheng.Shen	10-23-2008
批准:	TOM.ZHAO	10-23-2008
第三角投影	⊕	图纸格式发布日期 11-11-2011 图纸格式版本 G
机密: 本图纸及相关信息所有权归REGAL-BELOIT CORPORATION. 未经REGAL-BELOIT CORPORATION书面授权, 不得泄露、复制、传播或作其他用途。—版权所有		

名称		OUTLINE
图幅	C	图号 ARB2024L2
比例	NONE	页号 1

名称		OUTLINE
图幅	C	图号 ARB2024L2
比例	NONE	页号 1