

# PRODUCT INFORMATION PACKET



Model No: 992A  
Catalog No: 992A

OEM Replacement Motor, 1/2 HP, 1 Ph, 60 Hz, 208-230 V, 1075 RPM, 1 Speed, 48 Frame, SEMI ENCLOSED



Regal and Century are trademarks of Regal Rexnord Corporation or one of its affiliated companies.  
©2022 Regal Rexnord Corporation, All Rights Reserved. MC017097E





**Nameplate Specifications**

Output HP	1/2 Hp	Output KW	0.37 kW
Frequency	60 Hz	Voltage	208-230 V
Current	4.2 A	Speed	1075 rpm
Service Factor	1	Phase	1
Duty	Air Over	Insulation Class	B
Frame	F48Y	Enclosure	Semi Enclosed
Thermal Protection	Automatic	Ambient Temperature	40 °C
UL	Recognized	CSA	Y
CE	N	Number of Speeds	1

**Technical Specifications**

Electrical Type	Permanent Split Capacitor	Starting Method	Across The Line
Poles	6	Rotation	Reversible
Mounting	Resilient Base	Motor Orientation	Horizontal
Drive End Bearing	Ball	Opp Drive End Bearing	Ball
Frame Material	Rolled Steel	Shaft Type	Flat
Overall Length	10.20 in	Frame Length	6.13 in
Shaft Diameter	0.500 in	Shaft Extension	2.77 in
Outline Drawing	992A-S01	Connection Drawing	D0000313-011

This is an uncontrolled document once printed or downloaded and is subject to change without notice. Date Created:11/28/2022

4

3

2

1

GENERAL INFORMATION:

SHAFT RUNOUT: .001 [.03] T.I.R. PER INCH LENGTH OF EXTENSION

BEARINGS: BALL

MOUNTING POSITION: ALL ANGLE

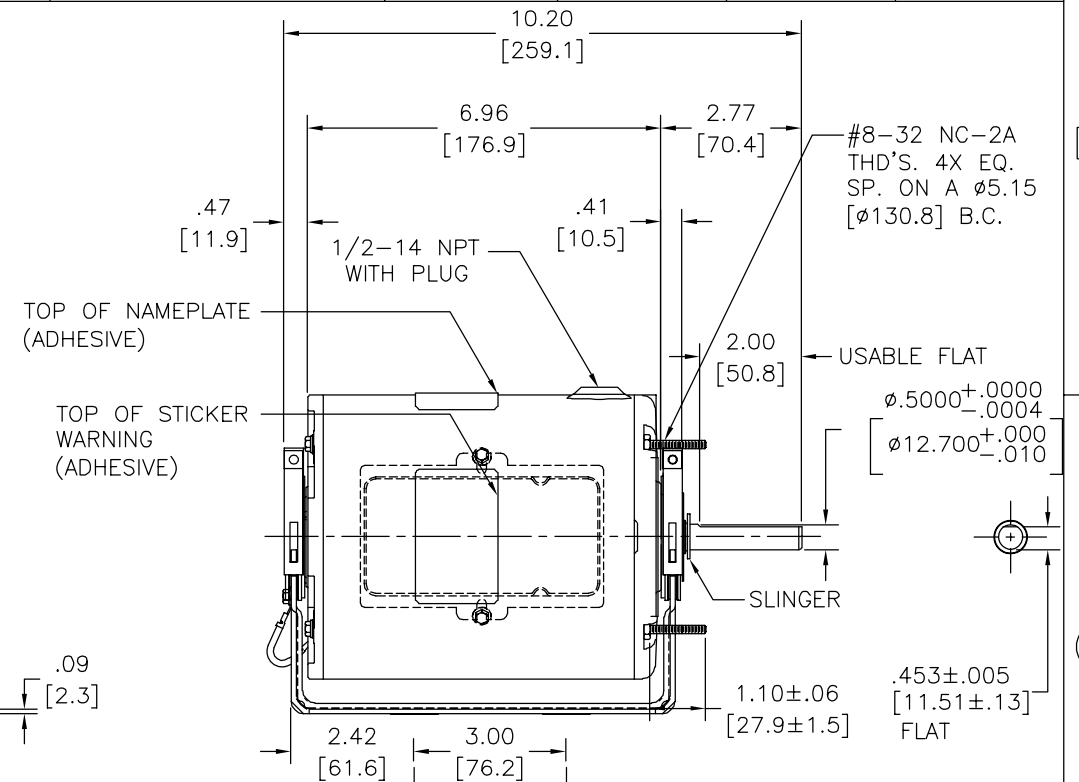
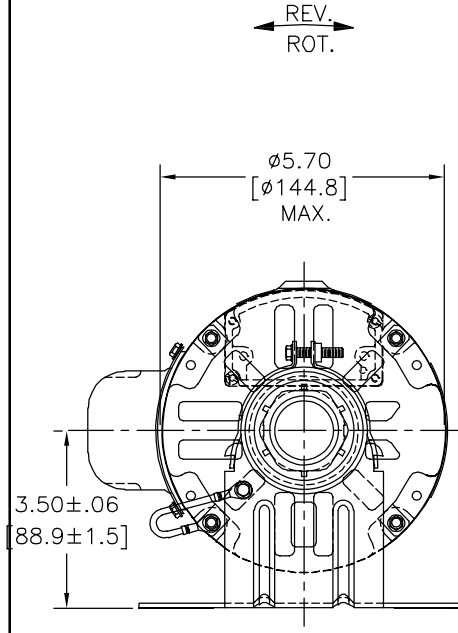
ELECTRICAL DATA:

OVERLOAD PROTECTOR: AUTOMATIC RESET (T.I. 7AM 036)

LEADS: NO. 18 GA., .06 [1.5] THK. PVC 105°C INSUL.

GROUND LEAD: NO. 18 GA., .03 [.8] THK., GREEN/YELLOW INSUL.

REV	ECO	REV BY	DATE	APPD	DATE
B	ECO-0024185	jrupert	02-01-2012	jrupert	02-01-2012



NOTES:

1. MOTOR TO BE SHIPPED CONNECTED FOR CWLE ROTATION.

GREEN/YELLOW (GROUND)	CONNECTED TO BASE	#10 EYELET
BROWN	CONNECTED TO CAPACITOR	.25 [6.4] FLAG
BROWN	CONNECTED TO CAPACITOR	.25 [6.4] FLAG
BLACK	5.0/7.0 [127/178]	.25 [6.4] FLAG
PURPLE	5.0/7.0 [127/178]	.25 [6.4] FLAG
BROWN	5.0/7.0 [127/178]	.25 [6.4] FLAG
WHITE	5.0/7.0 [127/178]	.25 [6.4] FLAG
YELLOW	5.0/7.0 [127/178]	.25 [6.4] FLAG
COLOR	LENGTH	TERMINAL OR STRIP LENGTH

MAIN FRAME - OLE	SEMI-ENCL.
END FRAME - OLE	OPEN
MAIN FRAME - LE	ENCLOSED
END FRAME - LE	ENCLOSED

CUSTOMER	DISTRIBUTION SERVICE
----------	----------------------

NAMEPLATE DATA:	EXTERNAL CONNECTION DIAGRAM
MODEL NO.: F48Z75A01 CUST. P/N: 992A HP: 1/2 ROT.: REVERSIBLE RPM: 1075 TYPE: UF FRAME: 48Y VOLTS: 208-230 PH: 1 AMPS: 4.2 HZ: 60 INS.: B AMB.: 40° C DUTY: AIR OVER CAP.: 7.5 MFD/370 V ENCL: SEMI-ENCL. UL LOGO CSA LOGO THERMALLY PROTECTED	

PERFORMANCE CURVE NO.	TORQUE @ 1075 RPM (25°C)	APPROVED SAMPLE	UL COMPONENT FILE #	CCN #	CSA FILE #	CLASS #
C32738	58.0 OZ. FT.	0604224A	E46412	PRGY2	LR43341	4211-01

GEOMETRIC CHARACTERISTICS & SYMBOLS  
 □ FLATNESS  
 — STRAIGHTNESS  
 ∠ ANGULARITY  
 ⊥ PERPENDICULARITY (SQUARENESS)  
 ∥ PARALLELISM  
 ○ ROUNDNESS (CIRCULARITY)  
 ⌀ CYLINDRICITY  
 △ PROFILE OF ANY SURFACE  
 ▽ PROFILE OF ANY LINE  
 ↗ RUNOUT  
 ⊕ TRUE POSITION  
 ⊙ CONCENTRICITY  
 = SYMMETRY  
 ASME Y14.5M 1994

A.O. SMITH PROVIDES TECHNICAL ASSISTANCE TO OUR CUSTOMERS IN SEVERAL AREAS. SINCE A.O. SMITH DOES NOT RECEIVE ALL DATA CONCERNING THE USE AND APPLICATION OF THE MOTOR, THE SUITABILITY OF THE MOTOR FOR THE APPLICATION MUST BE DETERMINED BY THE CUSTOMER.

DIMENSIONS WITHOUT TOLERANCES ARE FOR REFERENCE ONLY.

DR BY: AMY 07-17-2007  
 APPD:  
 THIRD ANGLE PROJECTION  
 EDS DATE 11-11-2011  
 FORMAT REV G  
 CONFIDENTIAL: THIS DRAWING AND ITS INFORMATION ARE THE EXCLUSIVE AND CONFIDENTIAL PROPERTY OF REGAL-BELOIT CORPORATION AND ARE NOT TO BE DISCLOSED, DUPLICATED, DISTRIBUTED OR OTHERWISE USED WITHOUT THE WRITTEN CONSENT OF REGAL-BELOIT CORPORATION. -ALL RIGHTS RESERVED.

DESCRIPTION	
MODEL-RFHP-48FR OUTLINE	
SIZE	DWG NO
C	992A
SCALE	SHEET
NONE	1

4

3

2

1

4

3

2

1

REVISION:	ECO	REVISADO POR:	FECHA:	APROBADO POR:	FECHA:
B	ECO-0024185	jrupert	02-01-2012	jrupert	02-01-2012

INFORMACION GENERAL:

OSCILACION DE FLECHA: .001 [.03] T.I.R. PER INCH LENGTH OF EXTENSION

BALEROS: BALERO

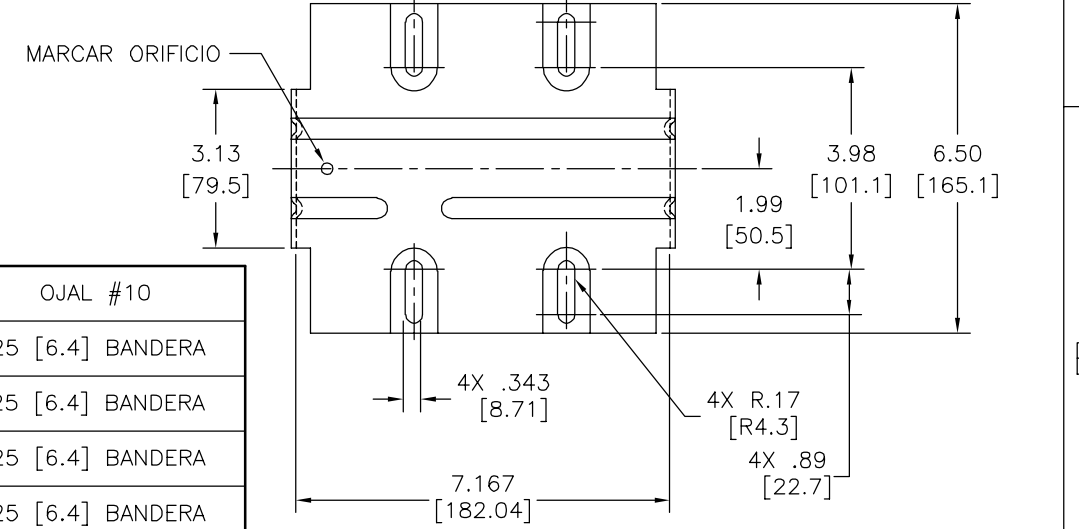
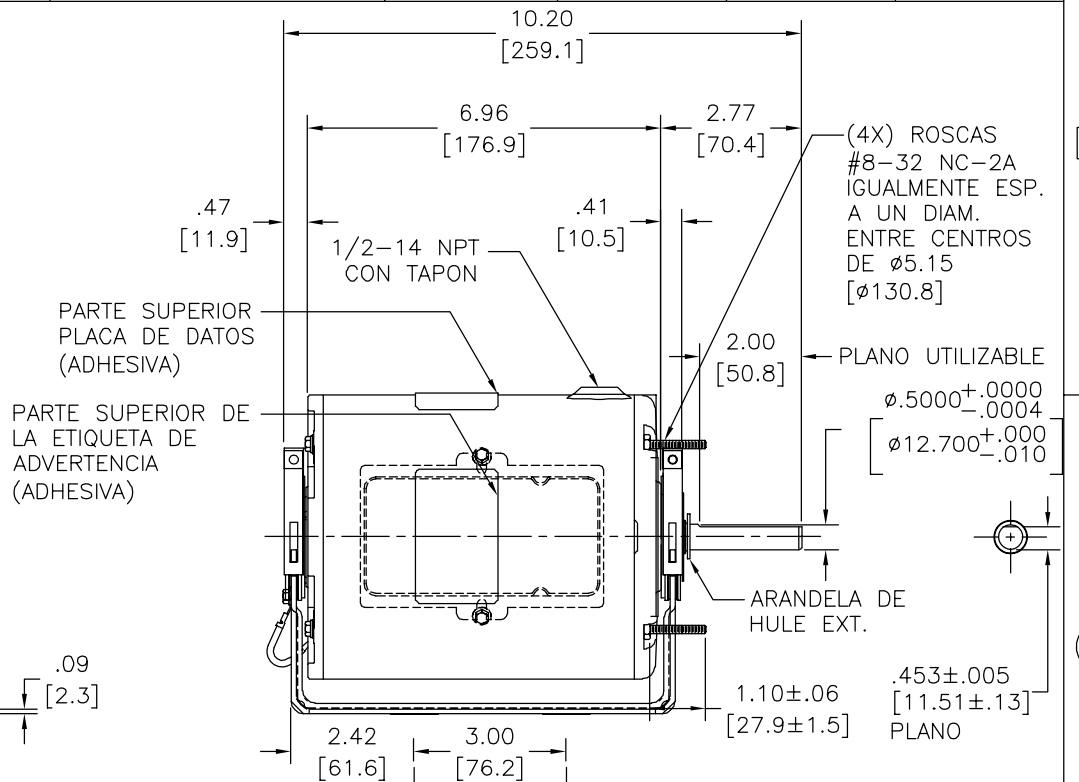
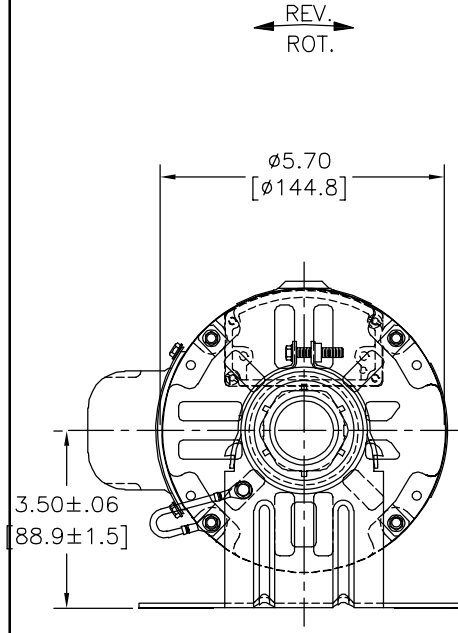
POSICION DEL MONTAJE: TODOS LOS ANGULOS

INFORMACION ELECTRICA:

PROTECTOR DE SOBRECARGA: REINICIO AUTOMATIC (T.I. 7AM 036)

CABLES: NO. 18 GA., .06 [1.5] THK. PVC 105°C AISLAM.

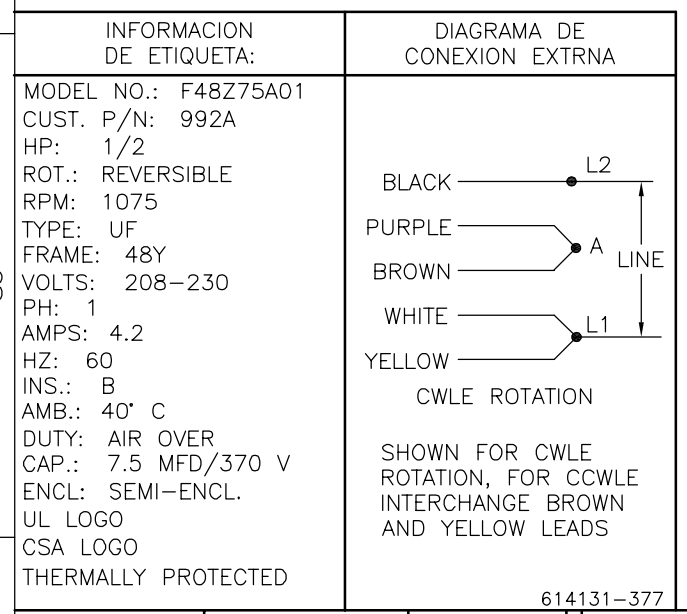
CABLE DE TIERRA: NO. 18 GA., .03 [.8] THK. (VERDE/AMARILLO) AISLAM.



VERDE/AMARILLO (TIERRA)	CONECTADO A LA BASE	OJAL #10
CAFE	CONECTADO AL CAPACITOR	.25 [6.4] BANDERA
CAFE	CONECTADO AL CAPACITOR	.25 [6.4] BANDERA
NEGRO	5.0/7.0 [127/178]	.25 [6.4] BANDERA
PURPURA	5.0/7.0 [127/178]	.25 [6.4] BANDERA
CAFE	5.0/7.0 [127/178]	.25 [6.4] BANDERA
BLANCO	5.0/7.0 [127/178]	.25 [6.4] BANDERA
AMARILLO	5.0/7.0 [127/178]	.25 [6.4] BANDERA
COLOR	LONGITUD	TERMINAL O LONGITUD DE DESFORRE

CARCASA - LOC	SEMI-ENCERRADO
TAPA - LOC	ABIERTA
CARCASA - LC	ENCERRADO
TAPA - LC	ENCERRADO

CLIENTE	DISTRIBUTION SERVICE
---------	----------------------



CURVAS DE FUNCIONAMIENTO	TORSION @ 1075 RPM (25°C)	MUESTRA APROBADA	COMPONENTE UL	CSA
C32738	58.0 OZ. FT.	0604224A	#ARCHIVO PRGY2	LR43341 4211-01

CARACTERISTICAS DE GEOMETRIA Y SIMBOLOS

- PLANICIDAD
- RECTITUD
- ∠ ANGULARIDAD
- ⊥ PERPENDICULARIDAD (A ESCUADRA)
- // PARALELISMO
- REDONDEZ (CIRCULARIDAD)
- ∅ CILINDRICIDAD
- △ PERFIL DE CUALQUIER SUPERFICIE
- ∧ PERFIL DE CUALQUIER LINEA
- ∧ VARIACION
- ⊕ POSICION REAL
- ◎ CONCENTRICIDAD
- = SIMETRIA

ASME Y14.5M 1994

A.O. SMITH PROVEE ASISTENCIA TECNICA A NUESTROS CLIENTES EN VARIAS AREAS. DESDE QUE A.O. SMITH NO RECIBE TODOS LOS DATOS EN RELACION AL USO Y A LA APLICACION DEL MOTOR, LA APLICACION ADECUADA DEL MOTOR DEBE SER DETERMINADA POR EL CLIENTE.

DIMENSIONES SIN TOLERANCIA SON DE REFERENCIA SOLAMENTE

DIBUJADO POR: AMY 07-17-2007

APROBADO POR:

TERCER ANGULO DE PROYECCION

FECHA EDS: 11-11-2011

REV. FORMATO: G

CONFIDENCIAL: ESTE DIBUJO Y SU INFORMACION SON PROPIEDAD DE USO EXCLUSIVO Y CONFIDENCIAL DE REGAL-BELOIT CORPORATION. Y NO DEBERAN SER REVELADOS, DUPLICADOS, DISTRIBUIDOS O USARSE DE OTRA MANERA SIN EL CONSENTIMIENTO ESCRITO DE REGAL-BELOIT CORPORATION. -TODOS LOS DERECHOS RESERVADOS.

REGAL-BELOIT CORPORATION

DESCRIPCION: MODEL-RFHP-48FR OUTLINE

TAMAÑO: C NUMERO DE DIBUJO: 992A

ESCALA: NONE HOJA: 1

4

3

2

1

4

3

2

1

总技术要求:

轴跳动: .001[.03]/1[25.4]外伸轴

轴承: 球轴承

安装位置: 全方位

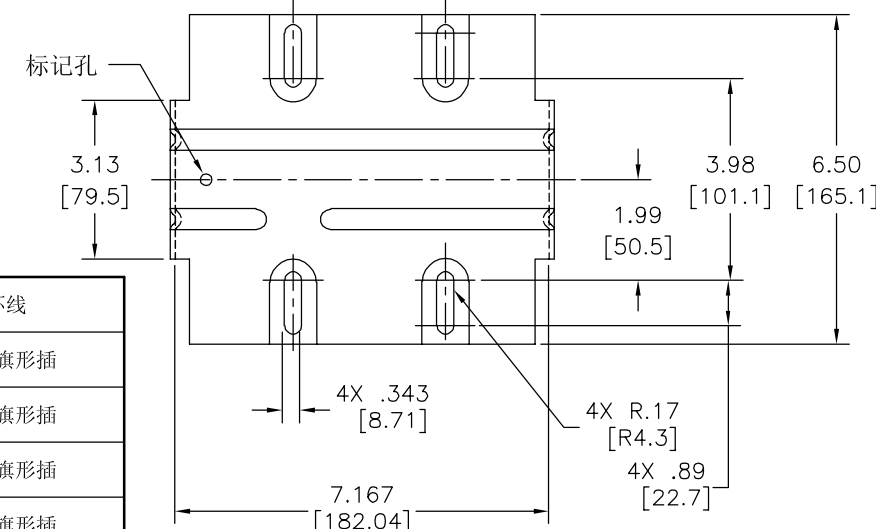
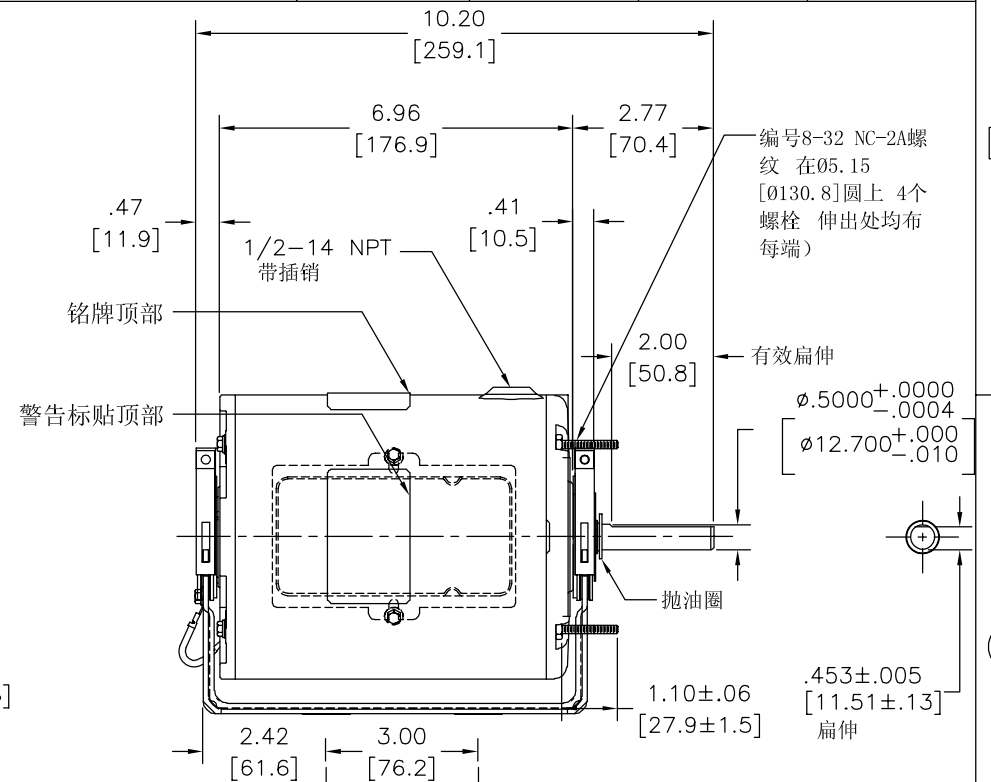
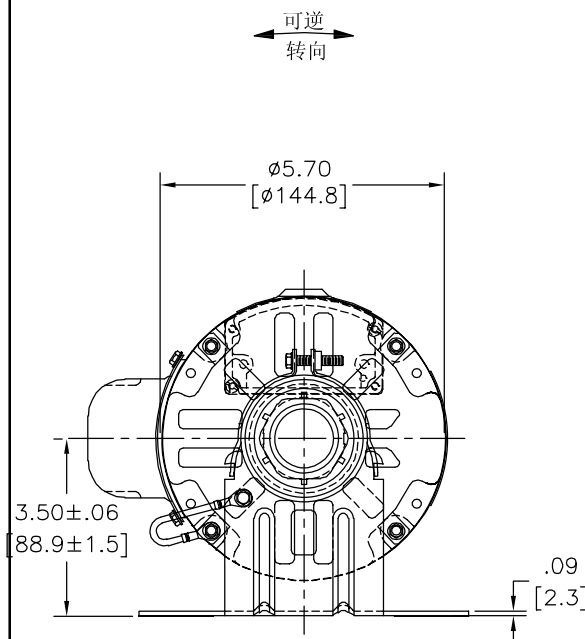
电气数据:

过载保护: 自动复位 (T.I. 7AM 036)

引线: 18# (美制标准), 厚.06[1.5] PVC 105° C 绝缘

接地线: 18# (美制标准), 厚.03[0.8]绿色绝缘

版本	ECO	编制	日期	批准	日期
B	ECO-0024185	jrupert	02-01-2012	jrupert	02-01-2012



绿色 (接地线)		#10 带环线
棕		.25 [6.4] 旗形插
棕		.25 [6.4] 旗形插
黑	5.0/7.0 [127/178]	.25 [6.4] 旗形插
紫	5.0/7.0 [127/178]	.25 [6.4] 旗形插
棕	5.0/7.0 [127/178]	.25 [6.4] 旗形插
白	5.0/7.0 [127/178]	.25 [6.4] 旗形插
蓝	5.0/7.0 [127/178]	.25 [6.4] 旗形插
颜色	长度	端子或剥线长度

无引线端机壳	开放
有引线端端盖	密封
有引线端机壳	密封
有引线端端盖	密封

用户	DISTRIBUTION SERVICE
----	----------------------

铭牌数据	外部数据
MODEL NO.: F48Z75A01 CUST. P/N: 992A HP: 1/2 ROT.: REVERSIBLE RPM: 1075 TYPE: UF FRAME: 48Y VOLTS: 208-230 PH: 1 AMPS: 4.2 HZ: 60 INS.: B AMB.: 40° C DUTY: AIR OVER CAP.: 7.5 MFD/370 V ENCL: SEMI-ENCL. UL LOGO CSA LOGO THERMALLY PROTECTED	<p>CWLE ROTATION</p> <p>SHOWN FOR CWLE ROTATION, FOR CCWLE INTERCHANGE BROWN AND YELLOW LEADS</p>

性能曲线编号	转矩在 @ 1075 RPM (25° C)	批准样品	UL部件		CSA	
C32738	58.0 OZ. FT.	0604224A	文件号	指南	文件号	指南
			E46412	PRGY2	LR43341	4211-01

- 形位公差
- 平面度
- 直线度
- ∠ 倾斜度
- ⊥ 垂直度
- // 平行度
- 圆度
- ⊘ 圆柱度
- ⊖ 面轮廓度
- ⊕ 线轮廓度
- ⌒ 圆跳动
- ⊕ 位置度
- ⊙ 同轴度
- ≡ 对称度

ASME Y14.5M 1994

A. O. SMITH在个别领域为客户  
提供技术支持。鉴于A. O. SMITH  
未收到任何涉及电机使用和  
应用环境的数据, 电机的适用性  
由客户自己决定。

未注公差尺寸仅供参考。

绘图: AMY 07-17-2007

批准:

第三角投影

机密: 本图纸及相关信息所有权归REGAL-BELOIT CORPORATION  
未经REGAL-BELOIT CORPORATION书面授权, 不得泄露、  
复制、传播或作其他用途。一版权所有

名称		REGAL-BELOIT CORPORATION	
MODEL-RFHP-48FR		OUTLINE	
图幅	C	图号	992A
比例	NONE	页号	1

4

3

2

1

4

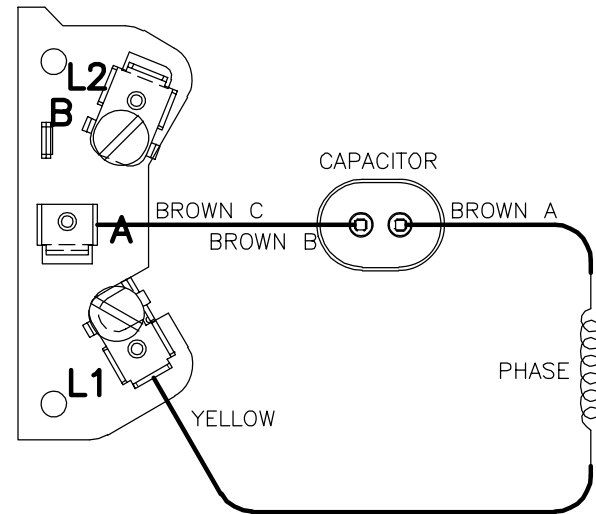
3

2

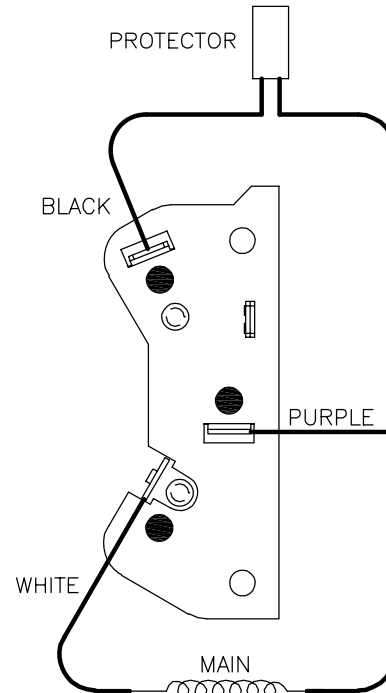
1

REV	ECO	REV BY	DATE	APPD	DATE
B	0024318	W.CORTEZ	02-13-2012	J. DE LUNA	02-13-2012

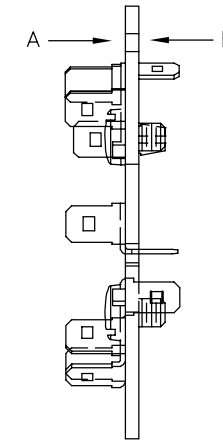
CWLE ROTATION



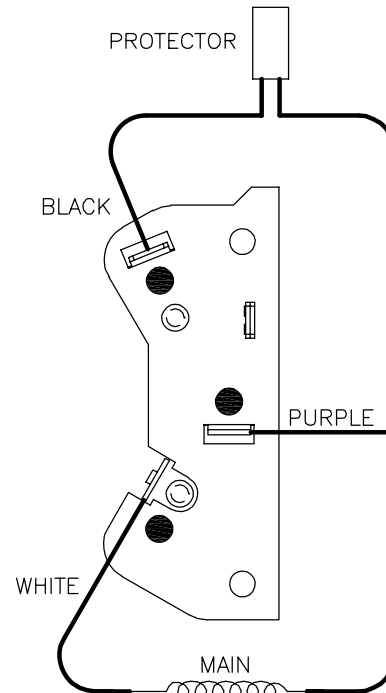
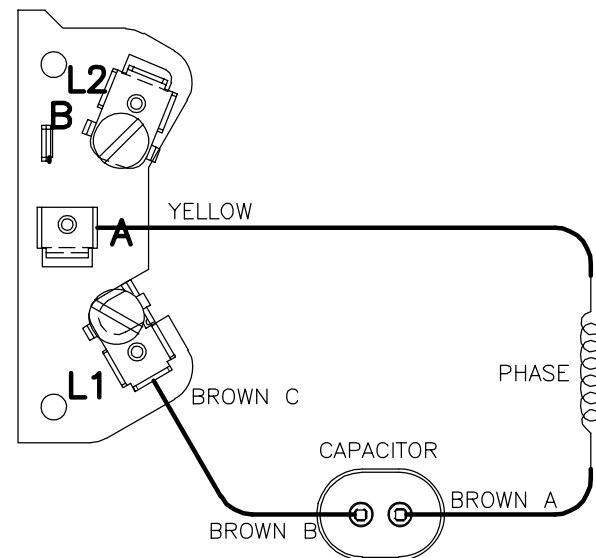
VIEW A



VIEW B



CCWLE ROTATION



NOTES:  
1. SEE OUTLINE FOR CONNECTING ROTATION.

GEOMETRIC CHARACTERISTICS & SYMBOLS

- ▭ FLATNESS
- STRAIGHTNESS
- ∠ ANGULARITY
- ⊥ PERPENDICULARITY (SQUARENESS)
- ∥ PARALLELISM
- ROUNDNESS (CIRCULARITY)
- ⊘ CYLINDRICITY
- △ PROFILE OF ANY SURFACE
- ∩ PROFILE OF ANY LINE
- ↗ RUNOUT
- ⊕ TRUE POSITION
- ◎ CONCENTRICITY
- ≡ SYMMETRY

ASME Y14.5M 1994

UNLESS OTHERWISE SPECIFIED  
DIM. TOLERANCES ARE AS FOLLOWS:

INCH	X	XX	XXX	XXXX
	±.1	±.02	±.005	±.0005
mm	±0.5	±0.13	±0.013	

ANG. ±.50 DEG  
REMOVE BURRS & BREAK SHARP EDGES:  
INCH .003-.015 mm 0.1-0.4  
CORNER FILLETS TO:  
INCH .020 mm 0.5  
MACHINE SURFACES:  
INCH 125 mm 3.2

METRIC DIMS. SHOWN IN [BRACKETS]

DR BY:	JRUPERT	02-06-2012
APPD:	JRUPERT	02-06-2012
THIRD ANGLE PROJECTION		EDS DATE 11-11-2011 FORMAT REV G
CONFIDENTIAL: THIS DRAWING AND ITS INFORMATION ARE THE EXCLUSIVE AND CONFIDENTIAL PROPERTY OF REGAL-BELOIT CORPORATION AND ARE NOT TO BE DISCLOSED, DUPLICATED, DISTRIBUTED OR OTHERWISE USED WITHOUT THE WRITTEN CONSENT OF REGAL-BELOIT CORPORATION. -ALL RIGHTS RESERVED.		

DESCRIPTION CONN DIAGRAM-EXTERNAL	
SIZE C	DWG NO D0000313-011
SCALE NONE	SHEET 1

4

3

2

1

4

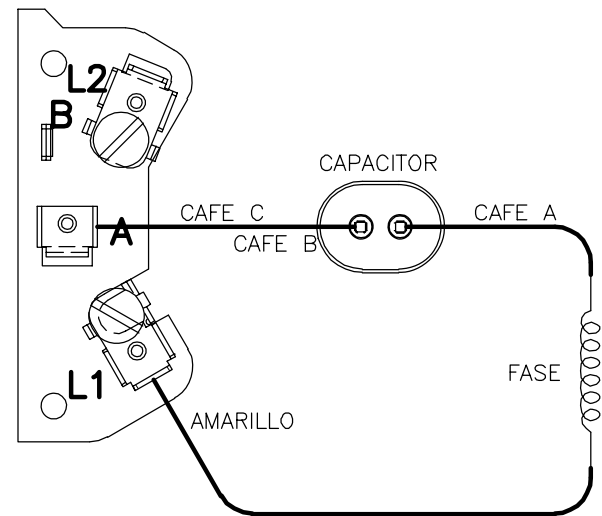
3

2

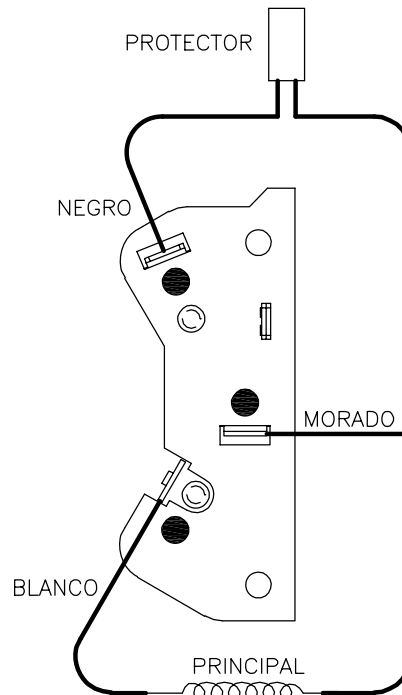
1

REVISION:	ECO	REVISADO POR:	FECHA:	APROBADO POR:	FECHA:
B	0024318	W.CORTEZ	02-13-2012	J. DE LUNA	02-13-2012

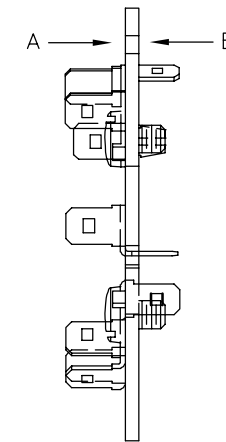
ROTACION CWLE



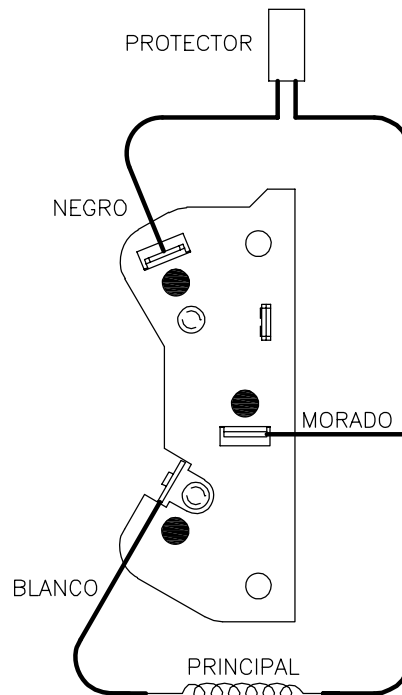
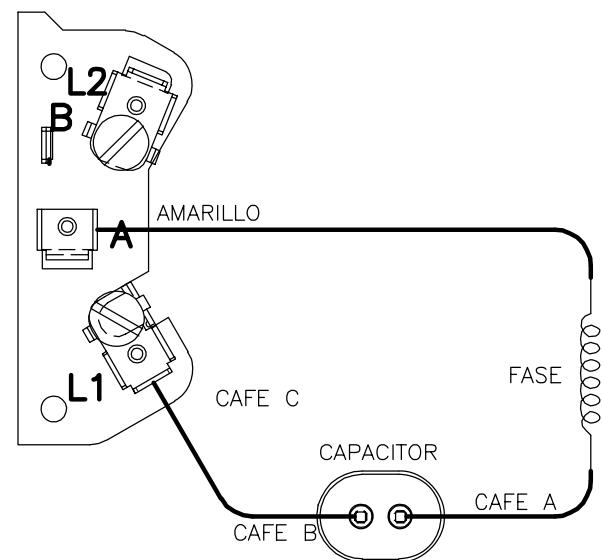
VISTA A



VISTA B



ROTACION CCWLE



NOTAS:  
1.VER DIBUJO DE ENSAMBLE FINAL PARA CONEXION DE ROTACION.

CARACTERISTICAS DE GEOMETRIA Y SIMBOLOS

- ▭ PLANICIDAD
- RECTITUD
- ∠ ANGULARIDAD
- ⊥ PERPENDICULARIDAD (A ESCUADRA)
- // PARALELISMO
- REDONDEZ (CIRCULARIDAD)
- ⊘ CILINDRICIDAD
- △ PERFIL DE CUALQUIER SUPERFICIE
- ∧ PERFIL DE CUALQUIER LINEA
- ↑ VARIACION
- ⊕ POSICION REAL
- ⊙ CONCENTRICIDAD
- = SIMETRIA

ASME Y14.5M 1994

A MENOS QUE SE ESPECIFIQUE DE OTRA MANERA, LAS TOLERANCIAS DE LAS DIMS; SON LAS SIGUIENTES:

	PULG	±.1	±.02	±.005	±.0005
	mm	±0.5	±0.13	±0.013	

ANG. ± 50 GRADOS  
ELIMINAR REBABAS Y ORILLAS FILOSAS DEL BORDE.  
PULG .003-.015 mm 0.1-0.4  
FILETEAR ESQUINA: PULG .020 mm 0.5  
MAQUINAR SUPERFICIES  
PULG 125 mm .32

DIMS METRICAS MOSTRADAS [PARENTESIS]

DIBUJADO POR:	JRUPERT	02-06-2012
APROBADO POR:	JRUPERT	02-06-2012
TERCER ANGULO DE PROYECCION	⊕	FECHA EDS: 11-11-2011 REV. FORMATO: G
CONFIDENCIAL: ESTE DIBUJO Y SU INFORMACION SON PROPIEDAD DE USO EXCLUSIVO Y CONFIDENCIAL DE REGAL-BELOIT CORPORATION. Y NO DEBERAN SER REVELADOS, DUPLICADOS, DISTRIBUIDOS O USARSE DE OTRA MANERA SIN EL CONSENTIMIENTO ESCRITO DE REGAL-BELOIT CORPORATION. -TODOS LOS DERECHOS RESERVADOS.		

DESCRIPCION: <b>CONN DIAGRAM-EXTERNAL</b>	
TAMAÑO: C	NUMERO DE DIBUJO: D0000313-011
ESCALA: NONE	HOJA: 1

4

3

2

1

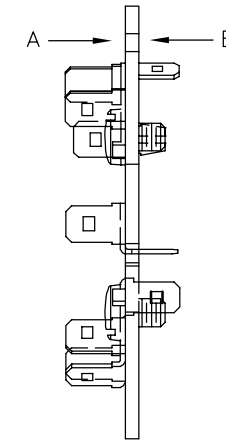
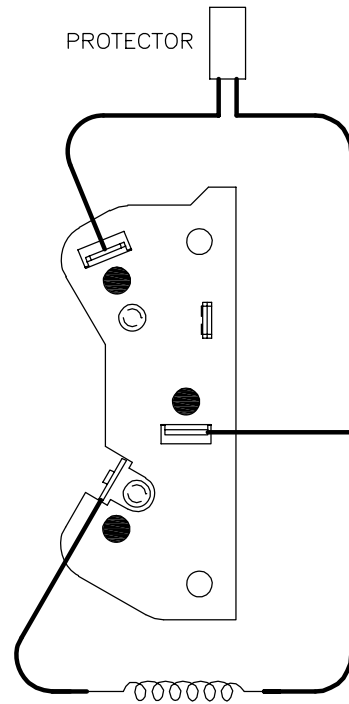
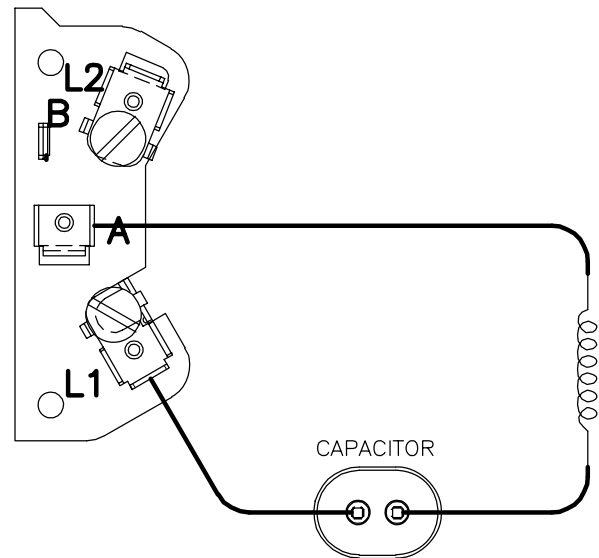
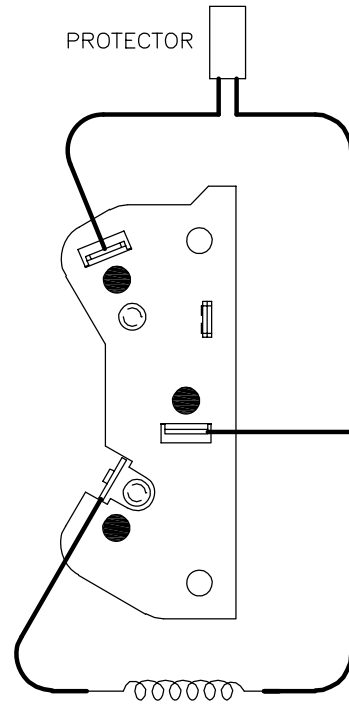
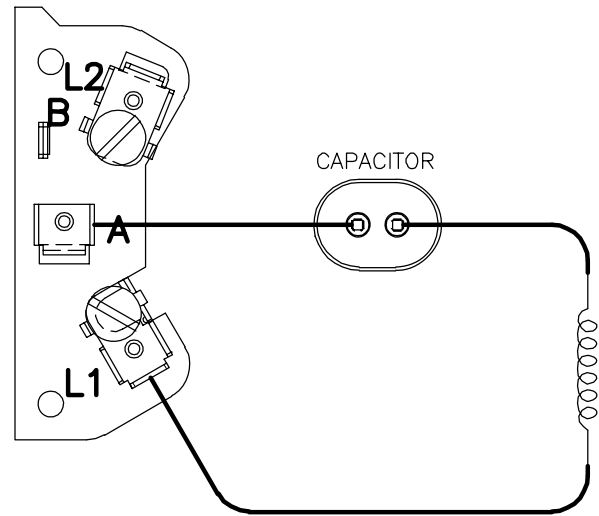
4

3

2

1

版本	ECO	编制	日期	批准	日期
B	0024318	W.CORTEZ	02-13-2012	J. DE LUNA	02-13-2012



形位公差	除另有注明
□ 平面度	尺寸公差如下:
— 直线度	英寸 X XX XXX XXXX
∠ 倾斜度	英寸 ±.1 ±.02 ±.005 ±.0005
⊥ 垂直度	毫米 ±0.5 ±0.13 ±0.013
∥ 平行度	角度 ±.50 度
○ 圆度	清理毛刺和尖棱
⊘ 圆柱度	英寸 .003-.015 毫米 0.1-0.4
△ 面轮廓度	内圆角
∩ 线轮廓度	英寸 .020 毫米 0.5
∧ 圆跳动	表面粗糙度
⊕ 位置度	英制 125 米制 3.2
⊙ 同轴度	米制尺寸显示在 [ ]
≡ 对称度	

ASME Y14.5M 1994

除另有注明	尺寸公差如下:
英寸 X XX XXX XXXX	
英寸 ±.1 ±.02 ±.005 ±.0005	
毫米 ±0.5 ±0.13 ±0.013	
角度 ±.50 度	
清理毛刺和尖棱	
英寸 .003-.015 毫米 0.1-0.4	
内圆角	
英寸 .020 毫米 0.5	
表面粗糙度	
英制 125 米制 3.2	
米制尺寸显示在 [ ]	

绘图:	JRUPERT	02-06-2012
批准:	JRUPERT	02-06-2012
第三角投影		图纸格式发布日期 11-11-2011 图纸格式版本 G
机密: 本图纸及相关信息所有权归REGAL-BELOIT CORPORATION 未经REGAL-BELOIT CORPORATION书面授权, 不得泄露、 复制、传播或作其他用途。—版权所有		

名称	CONN DIAGRAM-EXTERNAL
图幅	C
图号	D0000313-011
比例	NONE
页号	1

4

3

2

1