

PRODUCT INFORMATION PACKET



Model No: 9724
Catalog No: 9724
MULTIFIT® Condenser Fan Motor, 1/4, 1/5, 1/6 HP, 1 Ph, 60 Hz, 208-230 V, 1625 RPM, 1 Speed,
42 Frame, TEAO



Regal and Century are trademarks of Regal Rexnord Corporation or one of its affiliated companies.

©2023 Regal Rexnord Corporation, All Rights Reserved. MC017097E





Nameplate Specifications

Phase	1	Output HP	1/4, 1/5, 1/6 Hp
Output KW	0.19 kW	Voltage	208-230 V
Speed	1625 rpm	Service Factor	1
Frame	42	Enclosure	Totally Enclosed Air Over
Thermal Protection	Automatic	Ambient Temperature	60 °C
Frequency	60 Hz	Current	1.7 A
Duty	Air Over	Insulation Class	F
UL	Recognized	CSA	Y
CE	N	Number of Speeds	1

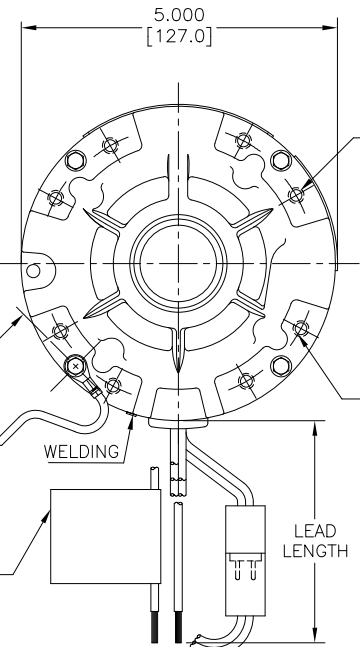
Technical Specifications

Electrical Type	Permanent Split Capacitor	Starting Method	Across The Line
Poles	4	Rotation	Reversible
Mounting	Extended Studs	Motor Orientation	Any
Drive End Bearing	Ball	Opp Drive End Bearing	Ball
Frame Material	Rolled Steel	Shaft Type	Flat
Overall Length	7.50 in	Frame Length	4.77 in
Shaft Diameter	0.500 in	Shaft Extension	3.0 in
Outline Drawing	9724_FA		

This is an uncontrolled document once printed or downloaded and is subject to change without notice. Date Created:07/28/2023

GENERAL INFORMATION:

SHAFT RUNOUT: .001 [.025] T.I.R. PER INCH LENGTH OF EXTENSION
 BEARINGS: BALL (L. E. PRELOAD)
 MOUNTING: ALL ANGLE
 POSITION:



GROUND LEAD (TERMINAL AT MOTOR MUST NOT PROTRUDE BEYOND MOTOR O.D.)

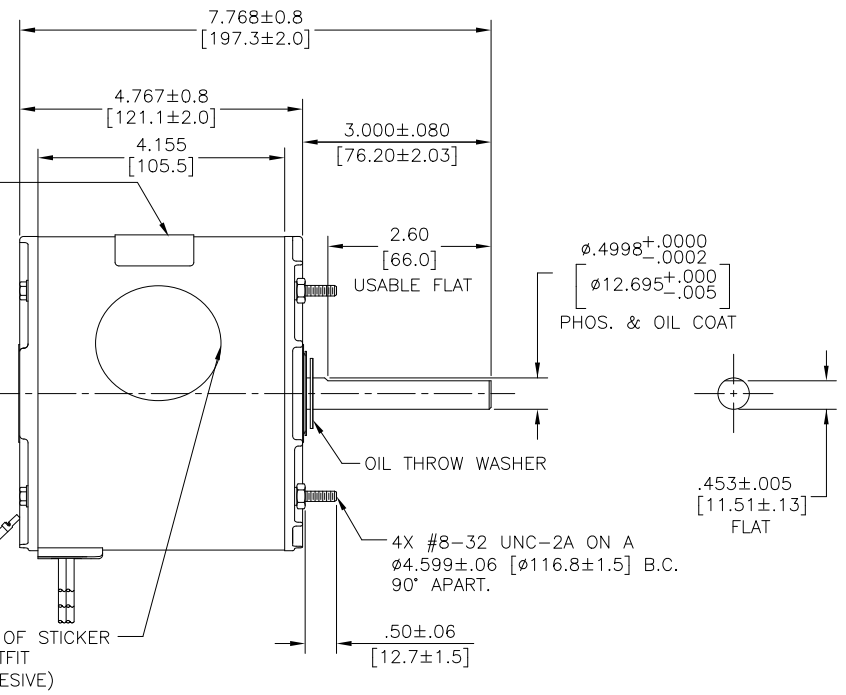
ATTACH WARNING/CONNECTION LABEL TO COMMON (WHITE) LEAD APPROX. 2.0 [51] FROM MOTOR

ELECTRICAL DATA:

OVERLOAD PROTECTOR: AUTOMATIC RESET (7AM033A5-481-8C)
 LEADS: NO. 18 GA., .03 [.8] THK. XLP 125°C INSUL.
 REVERSING PLUGS: NO. 18 GA., .03 [.8] THK. XLP 125°C INSUL.
 GROUND LEAD: NO. 18 GA., .03 [.8] THK. (GREEN) INSUL.

TOP OF NAMEPLATE (ADHESIVE)

TOP OF STICKER MULTIFIT (ADHESIVE)



NOTE:

- 1) 4X SHOULDER STUDS 631585-062, 8XPLUGS PLU213, 4X HEX NUTS N238P15B9 AND 1 INSTALLATION MANUAL 2516557-001_FA TO BE PUT IN A POLY BAG AND PACKED WITH EACH MOTOR.
- 2) 1 INSTRUCTION SHEET 2515675-001 TO BE PACKED ALONG THE SIDE OF EACH MOTOR, AND NOT INSIDE THE POLYBAG.
- 3) ALL LABEL READBLE FROM LE SIDE .

MAIN FRAME - OLE	ENCLOSED
END FRAME - OLE	ENCLOSED
MAIN FRAME - LE	ENCLOSED
END FRAME - LE	ENCLOSED
ENCLOSURE	

GREEN (GROUND)	11.0/13.0 [279/330]	#10 EYELET
BLACK/WHITE	3.0/5.0 [76/127]	REVERSING PLUGS
BROWN	36.0/39.0 [914/991]	.60 [15.2] SKIN
WHITE	36.0/39.0 [914/991]	.60 [15.2] SKIN
BLACK	36.0/39.0 [914/991]	.60 [15.2] SKIN
COLOR	LENGTH	TERMINAL OR STRIP LENGTH

REF. DRG.DF2H7016/SM21-251 CONNECTION DIAGRAM

Century™ THERMALLY PROTECTED INS CL F AO

AMB 60/70° C STK. NO. 9724
 VOLTS 208-230
 RPM 1625 HZ 60 PH 1 CAP 5 MFD/440 VAC
 BRG BALL AMPS 1.7 HP 1/4, 1/5, 1/6
 MADE IN INDIA 5KCP29KGE1004S

SEP. CAP BROWN
 WHITE COM
 BLACK LINE

ROTATION
 BLACK BLACK
 WHITE WHITE
 CCWLE
 BLACK WHITE
 WHITE BLACK
 CWLE

DRAWING REVISION	REVISION BY	DATE
E	MG	26-07-22
ECO	APPROVED BY	DATE
ECR-0217450	LS	26-07-22
ECO DESCRIPTION INS CLASS F WAS B, AMB 60/70°C WAS 60°C		

DRAWN BY: MANOJ	Regal Beloit America, Inc.	
DATE: 16.12.21	DESCRIPTION MODEL-RFHP-42FR OUTLINE	
APPROVED BY: LS	MATERIAL	PROCESS/FINISH
DATE: 16.12.21	REFERENCE	SIZE DWG NO C 9724_FA
THIRD ANGLE PROJECTION		SHEET 1