

PRODUCT INFORMATION PACKET



Model No: 9714A

Catalog No: 9714A

Fan and Blower Motor, 1/6 HP, 1 Ph, 60 Hz, 115 V, 1625 RPM, 3 Speed, 42 Frame, OAO



Regal and Century are trademarks of Regal Rexnord Corporation or one of its affiliated companies.
©2024 Regal Rexnord Corporation, All Rights Reserved. MC017097E





Nameplate Specifications

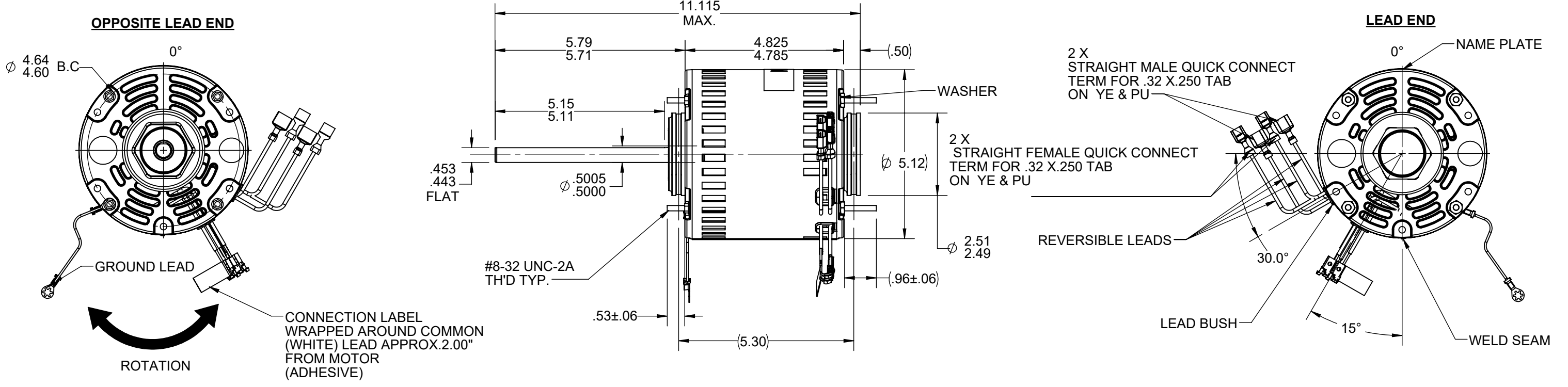
Phase	1	Output HP	1/6 Hp
Voltage	115 V	Speed	1625 rpm
Service Factor	1.0	Frame	42
Enclosure	Open Air Over	Thermal Protection	Automatic
Ambient Temperature	40 °C	Frequency	60 Hz
Current	2.3 A	Duty	Air Over
Insulation Class	B	UL	Recognized
CSA	Y	CE	N
Number of Speeds	3		

Technical Specifications

Electrical Type	Permanent Split Capacitor	Starting Method	Across The Line
Poles	4	Rotation	Reversible
Mounting	Resilient Rings	Drive End Bearing	Ball
Opp Drive End Bearing	Ball	Frame Material	Rolled Steel
Shaft Type	Flat	Frame Length	4.83 in
Shaft Diameter	0.500 in	Shaft Extension	5.75 in
Outline Drawing	71850469R		

This is an uncontrolled document once printed or downloaded and is subject to change without notice. Date Created:07/03/2024

2										1	
S.NO	CONNECTION	COLOR	EXIT TYPE	EXIT LOC (VIEWING LE)	GAGE	MATERIAL	WALL THK.	LENGTH (+/-1.50)	TERMINATION	VENTILATION SYSTEM	
1	COMMON LEAD	WHITE	SHELL NOTCH	6:30	18	EPDM	4/64	13.0	0.50 BWS	SHELL VENTS	OPEN
2	CAPACITOR LEAD	BROWN	SHELL NOTCH	6:30	18	EPDM	4/64	13.0	0.25 FQC	ENDSHIELD(PE END)	OPEN
3	CAPACITOR LEAD	BRN/WHT	SHELL NOTCH	6:30	18	EPDM	4/64	13.0	0.25 FQC	ENDSHIELD(OPE END)	OPEN
4	HIGH SPEED LEAD	BLACK	SHELL NOTCH	6:30	18	EPDM	4/64	13.0	0.50 BWS		
5	MEDIUM SPEED LEAD	BLUE	SHELL NOTCH	6:30	18	EPDM	4/64	13.0	0.50 BWS		
6	LOW SPEED LEAD	RED	SHELL NOTCH	6:30	18	EPDM	4/64	13.0	0.50 BWS		
7	REVERSIBLE LEAD	YELLOW	LEAD BUSH	8:00	18	XLPE	2/64	7.0	.25 MALE ISQC		
8	REVERSIBLE LEAD	PURPLE									
9	REVERSIBLE LEAD	YELLOW	LEAD BUSH	8:00	18	XLPE	2/64	7.0	.25 ISQC LO INS FORCE		
10	REVERSIBLE LEAD	PURPLE									
11	GROUND LEAD	GRN/YEL	CLAMP SCREW	4:30	18	THERMOPLASTIC	2/64	12.0	# 10 SERR EYELET		



NAME PLATE DATA	
MODEL	71850469
CUST P/N	9714A
HP	1/6
RPM	1625 (3 SPD)
VOLTS	115
HZ	60
SPEEDS	3
AMPS	2.30
CAP REQ D-1	5.0/370
CAP REQ D-2	N/R
CONN. DRW	NP24X350499
ROTATION	REVERSIBLE

- NOTE:
- NAMEPLATE LABEL LOCATION: 0° - NEAR TO LE - READ FROM LE WITH RESPECT TO MOTOR ZERO.
 - OVERLOAD PROTECTOR : AUTOMATIC RESET (7AM036)

CWLE	PLUG ON PURPLE LEAD TO PURPLE LEAD
CCWLE	PLUG ON YELLOW LEAD TO PURPLE LEAD

DRAWING REVISION AC	REVISION BY GPK	REV DATE/© DATE 05/08/2024	DRAWN BY Muralidar	 Regal Beloit America, Inc.	
REQUEST NUMBER ECR-0233790	APPROVED BY Muralidar	DATE 05/08/2024	DATE 6/9/2023		
REQUEST NUMBER DESCRIPTION REMOVED SUFFIX R FROM NP DATA AS PER ECR			APPROVED BY RS	DESCRIPTION OUTLINE	
<small>COPYRIGHT (PER REVISION DATE) REGAL BELOIT AMERICA, INC. ALL RIGHTS RESERVED. PROPRIETARY AND CONFIDENTIAL INFORMATION - THIS DOCUMENT IS THE PROPERTY OF REGAL BELOIT AMERICA, INC. ("OWNER") AND CONTAINS OWNER'S PROPRIETARY INFORMATION. ANY PERSON, CORPORATION OR OTHER FIRM RECEIVING IT IS DEEMED, BY RECEIVING IT, TO AGREE THAT IT, AND/OR ANY PART OF IT, SHALL NOT BE DISCLOSED TO ANY PERSON, CORPORATION OR OTHER ENTITY, DUPLICATED, AND/OR USED, EXCEPT AS EXPRESSLY APPROVED IN WRITING IN ADVANCE BY OWNER. THIS DOCUMENT SHALL BE RETURNED TO OWNER UPON REQUEST. IT MAY BE SUBJECT TO CERTAIN RESTRICTIONS UNDER APPLICABLE EXPORT CONTROL LAWS AND REGULATIONS.</small>			DATE 6/10/2023	CUSTOMER NAME: DISTRIBUTION SERVICES	
PRIMARY DIMENSIONS ARE INCH mm DIMENSIONS IN [BRACKETS] ARE FOR REFERENCE ONLY			REFERENCE	MATERIAL	PROCESS/FINISH
THIRD ANGLE PROJECTION			SIZE B	DRAWING NUMBER 71850469R	SHEET 1 OF 1



Motor Details

Model : 71850469R

General:

Application : **DIST SALES**
 Phases : **1**
 # of Speeds : **3**
 Testspec : **82850469-1**
 Horiz/Vertical : **HOR**
 Shell Enclosure : **OPEN**
 Endshield Enclosure : **OPEN**

Nameplate Data:

Horsepower : **1/6**
 RPM : **1625(3SPD)**
 Voltage : **115**
 FL Amps : **2.30**
 Capacitor 1mFd/V : **5.00/370**
 Additional Information : **N/R**
N/R

Miscellaneous:

Fullload RPM - HI : **1620**
 Poles : **4**
 Rotation : **CCW/CW**
 Thermal Protection :
 Finish Color: **STD GRAY**

OVERLOAD INFORMATION::

Protector: **24A100514P11**
 Catalog No: **7AM036A54838C**

THERMAL CUT-OFF INFORMATION:

TCO: **N/A**
 Catalog No: **N/A**

U.L.CONSTRUCTION FILES:

Motor Construction: **E46035(excluding SME)**
 Over Load : **E27885(excluding SME)**

Shaft:

PE Type : **FLAT**
 PE Length : **5.75**
 PE Diameter : **.5**
 PE Flat Length : **5.13**

Endshields:

PE Material : **AL**
 PE Hub Type : **STD**
 PE Oiler : **N/R**
 PE Oil Plug : **N/R**
 PE Mounting Holes : **N/R**

Bearings:

PE Bearing Type : **BALL**
 Bearing Protection : **No**

Mounting:

Base : **2RR**
 Clamp Screw : **Yes**

Resilient Ring:

Type : **SINGLE**

Extended Clamp Screws:

PE Pattern :
 PE Length : **0.55**
 PE Nut Qty : **1**
 Head End : **PE**
 Nut Thickness : **.12**

Lead & Cord :

Lead End : **OPE**
 Lead Exit H/W : **N/R**
 Lead Exit H/W Orient. : **STD**
 Conductor ID : **COMM-FIXED LINE**
 Exit : **7:00 - NYLON GROMMET**
 Color : **WHITE**
 Termination : **.50 BWS**
 Conductor ID : **REVERSING**
 Exit : **8:00 - NYLON GROMMET**
 Color : **BROWN**
 Termination : **.25 FQC**
 Conductor ID : **HI**

Catalog Number :

Motor Category : **COMPLETE MOTOR**
 Production Status : **PROD**
 Stock Status :
 Approved For Sale :
 Restricted Model :
 Customer : **DISTRIBUTION SERVICES**
 Customer Part# : **9714A**

GE Type : **KCP**
 Time Rating : **AO**
 Frequency : **60**
 Insulation Class: **B**
 Capacitor 2mFd/V : **N/R**

GE Frame : **42**
 Shell Length : **4.375**
 Drains : **N**
 Est. Weight : **-10**
 Capacitor By : **CUSTOMER**

Overload Temp : **150/140**
 Vendor Name: **TEXAS INSTRUMENTS**

Overload Temp : **N/A**
 Vendor Name: **N/A**

Class B Insulation : **E306343(excluding SME)**
 CSA(REY) : **MC236833(excluding SME)**

OPE Type : **N/R**
 OPE Length : **0**
 OPE Diameter : **0**
 OPE Flat Length : **0**

OPE Material : **AL**
 OPE Hub Type : **STD**
 OPE Oiler : **N/R**
 OPE Oil Plug : **N/R**
 OPE Mounting Holes : **N/R**

OPE Bearing Type : **BALL**
 Rohs Compliant : **No**

Lug : **N/R**
 Weld Screw : **No**

Diameter : **2.5**

OPE Pattern :
 OPE Length : **0.95**
 OPE Nut Qty : **1**
 Screw Size : **#8**

Lead Type :
 Lead Harness Desc : **N/R**

Length : **13.00**
 Mat'l Spec : **18 4/64 EPDM**
 Slot ID : **N/A**

Length : **13.00**
 Mat'l Spec : **18 4/64 EPDM**
 Slot ID : **N/A**

Exit :	7:00 - NYLON GROMMET	Length :	13.00
Color :	BLACK	Mat'l Spec :	18 4/64 EPDM
Termination :	.50 BWS	Slot ID :	N/A
Conductor ID :	MED		
Exit :	7:00 - NYLON GROMMET	Length :	13.00
Color :	BLUE	Mat'l Spec :	18 4/64 EPDM
Termination :	.50 BWS	Slot ID :	N/A
Conductor ID :	REVERSING		
Exit :	8:00 - NYLON GROMMET	Length :	7.00
Color :	YELLOW	Mat'l Spec :	18 2/64 XLPE
Termination :	.25 ISQC LO INS FORC	Slot ID :	N/A
Conductor ID :	COMM-FIXED LINE		
Exit :	8:00 - NYLON GROMMET	Length :	7.00
Color :	PURPLE	Mat'l Spec :	18 2/64 XLPE
Termination :	.25 ISQC LO INS FORC	Slot ID :	N/A
Conductor ID :	LOW		
Exit :	7:00 - NYLON GROMMET	Length :	13.00
Color :	RED	Mat'l Spec :	18 4/64 EPDM
Termination :	.50 BWS	Slot ID :	N/A

Note : Exit position is viewed from the Lead End with the Shell Weld at 6:00.

Grounding :

Type :	LEAD	Location :	7:30 viewed from PE with Oil boss at 12:00
Exit Type :	CLAMPSCREW	AWG Size :	18
Length :	12.00	Color :	GRN-YEL
Terminal :	#10 SERRATED EYELET	Ins.Material & Thickness	2/64 THRMOPLAST

Diagrams and Dimensions :

Outline Drawing :	71850469R	C-Dimension :	11.11
Connection Diagram :	24B200217 Fig# 22	Connection Label :	NP24X350499

Notes :

This document is the property of the Regal Beloit Company containing proprietary and confidential information.
Date of last revision : **08-DEC-23**

