

PRODUCT INFORMATION PACKET



Model No: 9704
Catalog No: 9704
1/8 HP Fan & Blower Motor, 1550 RPM, 115/208-230 Volts, 48 Frame, Semi Enclosed

Fan and Blower Motors



Regal and Century are trademarks of Regal Rexnord Corporation or one of its affiliated companies.
©2022 Regal Rexnord Corporation, All Rights Reserved. MC017097E





Nameplate Specifications

Output HP	1/8 Hp	Output KW	0.10 kW
Frequency	60 Hz	Voltage	115/208-230 V
Current	2.7/1.2-1.4 A	Speed	1550 rpm
Service Factor	1	Phase	1
Duty	Air Over	Insulation Class	B
Frame	48Y	Enclosure	Semi Enclosed
Thermal Protection	Automatic	Ambient Temperature	40 °C
UL	Recognized	CSA	Y
CE	N	Number of Speeds	1

Technical Specifications

Electrical Type	Permanent Split Capacitor	Starting Method	Across The Line
Poles	4	Rotation	Counterclockwise Lead End
Mounting	Resilient Rings	Motor Orientation	Any
Drive End Bearing	Sleeve	Opp Drive End Bearing	Sleeve
Frame Material	Rolled Steel	Shaft Type	Flat
Overall Length	9.11 in	Frame Length	3.63 in
Shaft Diameter	0.500 in	Shaft Extension	4.5 in
Outline Drawing	9704-S01	Connection Drawing	614131-323

This is an uncontrolled document once printed or downloaded and is subject to change without notice. Date Created:01/27/2022

GENERAL INFORMATION:

SHAFT RUNOUT: .001 [.03] T.I.R. PER INCH LENGTH OF EXTENSION.

END PLAY: .010 [.25] TO .063 [1.60]

BEARINGS: SLEEVE

MOUNTING POSITION: ALL ANGLE

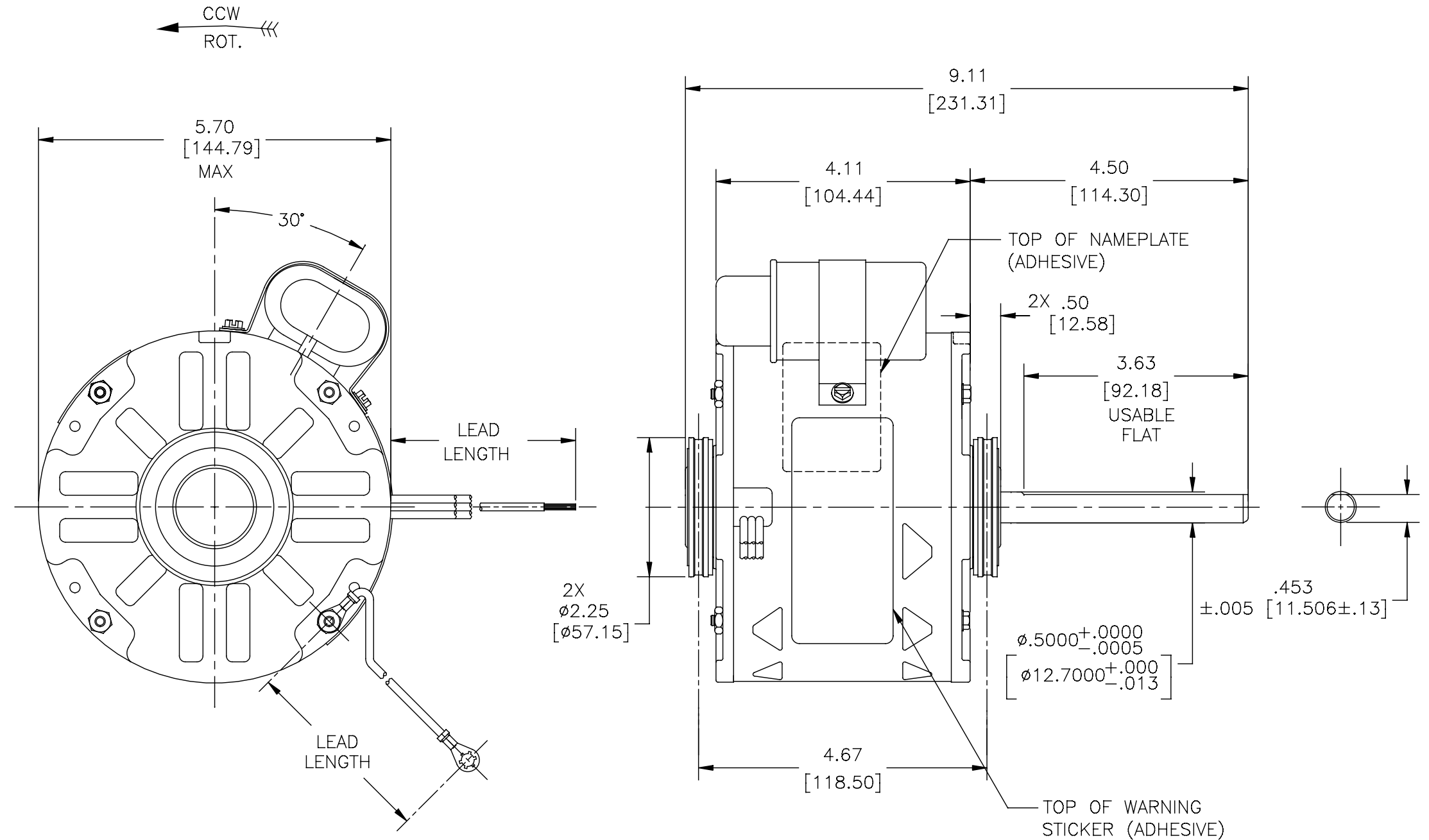
ELECTRICAL DATA:

OVERLOAD PROTECTOR: AUTOMATIC RESET (SENSATA 7AM 304)

LEADS: NO. 18 GA., .06 [1.5] THK., PVC 105° INSULATION

GROUND LEAD: NO. 18 GA., .03 [.8] THK., (GREEN) INSULATION

NOTE:
1. DISTRIBUTION PART NUMBER: 9704
GRAINGER PART NUMBER: 4UU84



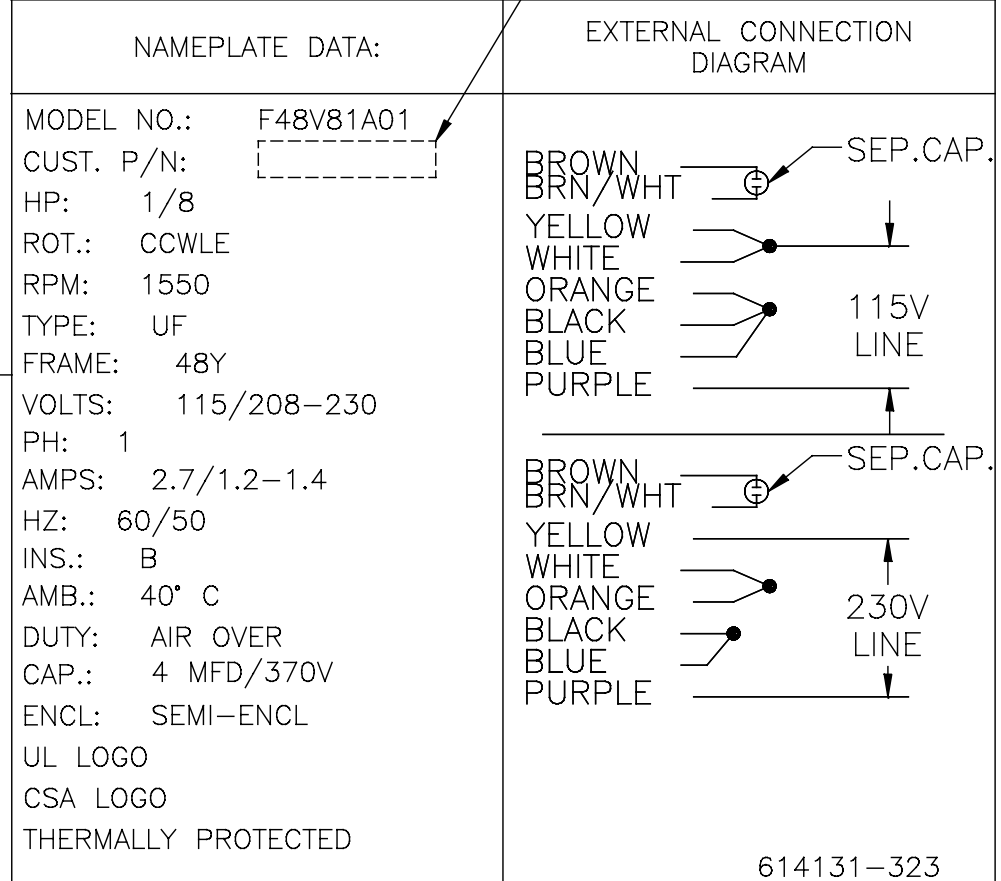
GREEN(GRD)	11.0/13.0 [279/330]	#10 SERRATED EYELET
BROWN	CONNECTED TO CAPACITOR	.25 [6.4] FLAG
BROWN/WHITE	CONNECTED TO CAPACITOR	.25 [6.4] FLAG
ORANGE	11.0/13.0 [279/330]	.50 [12.7] SKIN
YELLOW	11.0/13.0 [279/330]	.50 [12.7] SKIN
PURPLE	11.0/13.0 [279/330]	.50 [12.7] SKIN
BLACK	11.0/13.0 [279/330]	.50 [12.7] SKIN
WHITE	11.0/13.0 [279/330]	.50 [12.7] SKIN
BLUE	11.0/13.0 [279/330]	.50 [12.7] SKIN
COLOR	LENGTH	TERMINAL OR STRIP LENGTH

REGAL-BELOIT CORPORATION (RBC) PROVIDES TECHNICAL ASSISTANCE TO OUR CUSTOMERS IN SEVERAL AREAS. SINCE RBC DOES NOT RECEIVE ALL DATA CONCERNING THE USE AND APPLICATION OF THE MOTOR, THE SUITABILITY OF THE MOTOR FOR THE APPLICATION MUST BE DETERMINED BY THE CUSTOMER.

DIMENSIONS WITHOUT TOLERANCES ARE FOR REFERENCE ONLY.

MAIN FRAME - OLE	SEMI-ENCL.
END FRAME - OLE	OPEN
MAIN FRAME - LE	SEMI-ENCL.
END FRAME - LE	OPEN

CUSTOMER	DISTRIBUTION SERVICE
----------	----------------------



PERFORMANCE CURVE NO.	TORQUE @ 1550 RPM (25°C)	APPROVED SAMPLE	UL COMPONENT	CSA
C32408	11.0 OZ. FT.	0442805A	FILE # E46412, CCN # PRGY2	FILE # LR43341, CLASS # 4211-01

DRAWING REVISION D	REVISION BY J. Rupert	DATE 11-06-2015
ECO-0082969	APPROVED BY J. Rupert	DATE 11-06-2015
ECO DESCRIPTION CORRECTED GROUND LEAD COLOR		

DRAWN BY: J. Rupert	DATE: 11-06-2015
APPROVED BY: J. Rupert	DATE: 11-06-2015
PROCESS/FINISH	
THIRD ANGLE PROJECTION	

REGAL Regal Beloit America, Inc.
DESCRIPTION MODEL-RFHP-48FR OUTLINE
MATERIAL
SIZE DWG NO 9704
SHEET 1

COPYRIGHT REGAL-BELOIT AMERICA, INC. ALL RIGHTS RESERVED. PROPRIETARY AND CONFIDENTIAL INFORMATION - THIS DOCUMENT IS THE PROPERTY OF REGAL-BELOIT AMERICA, INC. (OWNER) AND CONTAINS OWNER'S PROPRIETARY INFORMATION. ANY PERSON, CORPORATION OR OTHER FIRM RECEIVING IT IS DEEMED, BY RECEIVING IT, TO AGREE THAT IT, AND/OR ANY PART OF IT, SHALL NOT BE DISCLOSED TO ANY PERSON, CORPORATION OR OTHER ENTITY, DUPLICATED, AND/OR USED, EXCEPT AS EXPRESSLY APPROVED IN WRITING IN ADVANCE BY OWNER. THIS DOCUMENT SHALL BE RETURNED TO OWNER UPON REQUEST. IT MAY BE SUBJECT TO CERTAIN RESTRICTIONS UNDER APPLICABLE EXPORT CONTROL LAWS AND REGULATIONS.