

PRODUCT INFORMATION PACKET



Model No: 9700

Catalog No: 9700

1/4 HP Fan & Blower Motor, 1550 RPM, 115/208-230 Volts, 48 Frame, Semi Enclosed

Fan and Blower Motors



Regal and Century are trademarks of Regal Rexnord Corporation or one of its affiliated companies.

©2022 Regal Rexnord Corporation, All Rights Reserved. MC017097E





Nameplate Specifications

Output HP	1/4 Hp	Output KW	0.19 kW
Frequency	60 Hz	Voltage	115/208-230 V
Current	4.9/2.5-2.5 A	Speed	1550 rpm
Service Factor	1	Phase	1
Duty	Air Over	Insulation Class	B
Frame	48Y	Enclosure	Semi Enclosed
Thermal Protection	Automatic	Ambient Temperature	40 °C
UL	Recognized	CSA	Y
CE	N	Number of Speeds	1

Technical Specifications

Electrical Type	Permanent Split Capacitor	Starting Method	Across The Line
Poles	4	Rotation	Counterclockwise Lead End
Mounting	Resilient Rings	Motor Orientation	Horizontal
Drive End Bearing	Sleeve	Opp Drive End Bearing	Sleeve
Frame Material	Rolled Steel	Shaft Type	Flat
Overall Length	9.49 in	Frame Length	3.88 in
Shaft Diameter	0.500 in	Shaft Extension	4.5 in
Outline Drawing	F48V11A01-S01	Connection Drawing	614131-315

This is an uncontrolled document once printed or downloaded and is subject to change without notice. Date Created:02/24/2022

4

3

2

1

REV	ECO	REV BY	DATE	APPD	DATE
B	0025529	J.M.RAMIREZ	04-24-2012	R.RASCON	04-24-2012

GENERAL INFORMATION:

SHAFT RUNOUT: .001 [.03] T.I.R. PER INCH LENGTH OF EXTENSION

END PLAY: .010 TO .063 [.25 TO 1.60]

BEARINGS: SLEEVE

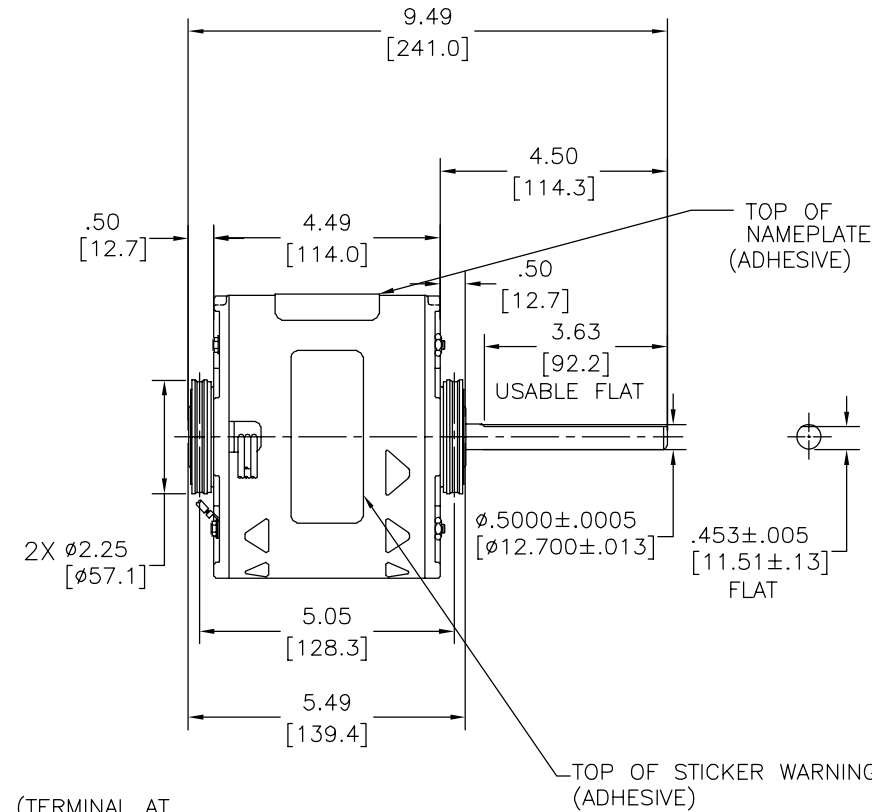
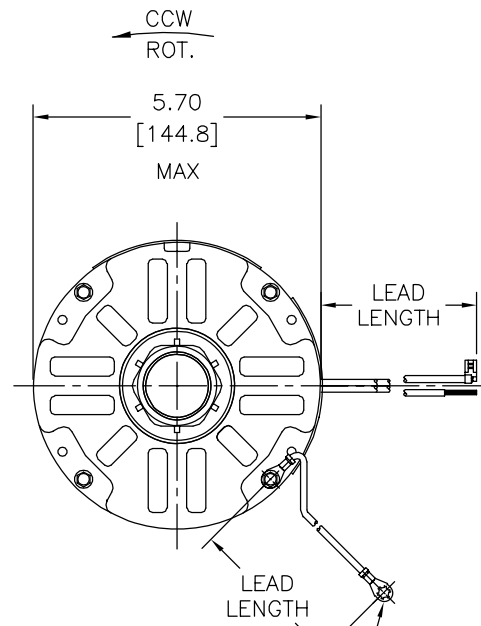
MOUNTING POSITION: HORIZONTAL

ELECTRICAL DATA:

OVERLOAD PROTECTOR: AUTOMATIC RESET (T.I. 7AM 036)

LEADS: NO. 18 GA., .06[1.5] THK. PVC 105°C INSUL.

GROUND LEAD: NO. 18 GA., .03[.8] THK., (GREEN/YELLOW) INSUL.



SEE NOTE 1

NAMEPLATE DATA:	EXTERNAL CONNECTION DIAGRAM
MODEL NO.: F48V11A01 CUST. P/N: <input type="text"/> HP: 1/4 ROT.: CCWLE RPM: 1550 TYPE: UF FRAME: 48Y VOLTS: 115/208-230 PH: 1 AMPS: 4.9/2.5-2.5 HZ: 60 INS.: B AMB.: 40° C DUTY: AIR OVER CAP.: 4 MFD/370 V ENCL: SEMI-ENCLOSED UL LOGO CSA LOGO THERMALLY PROTECTED	

GREEN/YELLOW (GRD)	11.0/13.0 [279/330]	#10 EYELET
BROWN	11.0/13.0 [279/330]	.25[6.4] FLAG
BROWN/WHITE	11.0/13.0 [279/330]	.25[6.4] FLAG
YELLOW	11.0/13.0 [279/330]	.50[12.7] STRIP
WHITE	11.0/13.0 [279/330]	.50[12.7] STRIP
ORANGE	11.0/13.0 [279/330]	.50[12.7] STRIP
BLACK	11.0/13.0 [279/330]	.50[12.7] STRIP
PURPLE	11.0/13.0 [279/330]	.50[12.7] STRIP
COLOR	LENGTH	TERMINAL OR STRIP LENGTH

NOTE:
1. DISTRIBUTION PART NUMBER: 9700
GRAINGER PART NUMBER: 4UU68

MAIN FRAME - OLE	SEMI-ENCLOSED
END FRAME - OLE	OPEN
MAIN FRAME - LE	SEMI-ENCLOSED
END FRAME - LE	OPEN

CUSTOMER	DISTRIBUTION SERVICES
----------	-----------------------

PERFORMANCE CURVE NO.	TORQUE @ 1550 RPM (25°C)	APPROVED SAMPLE	UL COMPONENT		CSA	
C32306	20.6 OZ. FT.	0442802B	FILE #	CCN #	FILE #	CLASS #
			E46412	PRGY2	LR43341	4211-01

GEOMETRIC CHARACTERISTICS & SYMBOLS	REGAL-BELOIT CORPORATION (RBC) PROVIDES TECHNICAL ASSISTANCE TO OUR CUSTOMERS IN SEVERAL AREAS. SINCE RBC DOES NOT RECEIVE ALL DATA CONCERNING THE USE AND APPLICATION OF THE MOTOR, THE SUITABILITY OF THE MOTOR FOR THE APPLICATION MUST BE DETERMINED BY THE CUSTOMER.
□ FLATNESS — STRAIGHTNESS ∠ ANGULARITY ⊥ PERPENDICULARITY (SQUARENESS) ∥ PARALLELISM ○ ROUNDNESS (CIRCULARITY) ∅ CYLINDRICITY △ PROFILE OF ANY SURFACE ∩ PROFILE OF ANY LINE ↗ RUNOUT ⊕ TRUE POSITION ⊙ CONCENTRICITY = SYMMETRY	DIMENSIONS WITHOUT TOLERANCES ARE FOR REFERENCE ONLY.

REGAL-BELOIT CORPORATION (RBC) PROVIDES TECHNICAL ASSISTANCE TO OUR CUSTOMERS IN SEVERAL AREAS. SINCE RBC DOES NOT RECEIVE ALL DATA CONCERNING THE USE AND APPLICATION OF THE MOTOR, THE SUITABILITY OF THE MOTOR FOR THE APPLICATION MUST BE DETERMINED BY THE CUSTOMER.

DIMENSIONS WITHOUT TOLERANCES ARE FOR REFERENCE ONLY.

DR BY:	DZ	02-16-2011
APPD:	DZ	02-16-2011
THIRD ANGLE PROJECTION		EDS DATE 11-11-2011 FORMAT REV G
CONFIDENTIAL: THIS DRAWING AND ITS INFORMATION ARE THE EXCLUSIVE AND CONFIDENTIAL PROPERTY OF REGAL-BELOIT CORPORATION AND ARE NOT TO BE DISCLOSED, DUPLICATED, DISTRIBUTED OR OTHERWISE USED WITHOUT THE WRITTEN CONSENT OF REGAL-BELOIT CORPORATION. -ALL RIGHTS RESERVED.		

DESCRIPTION	
MODEL-RFHP-48FR OUTLINE	
SIZE	DWG NO
C	F48V11A01
SCALE	SHEET
NONE	1

4

3

2

1

4

3

2

1

REVISION:	ECO	REVISADO POR:	FECHA:	APROBADO POR:	FECHA:
B	0025529	J.M.RAMIREZ	04-24-2012	R.RASCON	04-24-2012

INFORMACION GENERAL:

OSCILACION DE FLECHA:

JUEGO AXIAL:

BALEROS:

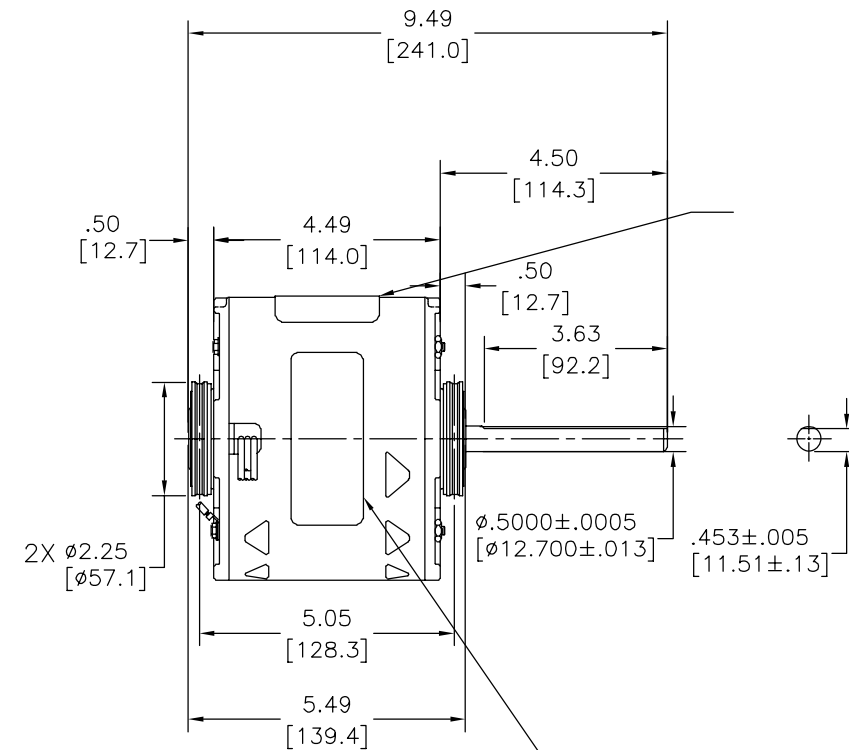
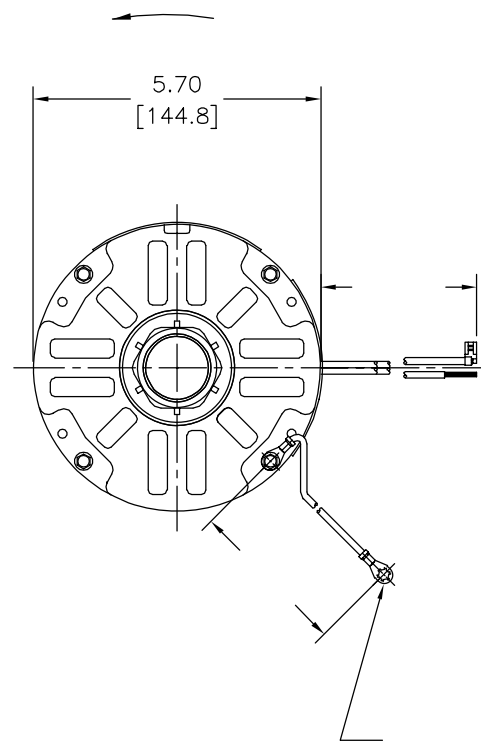
POSICION DEL MONTAJE:

INFORMACION ELECTRICA:

PROTECTOR DE SOBRECARGA

CABLES:

CABLE DE TIERRA:



INFORMACION DE ETIQUETA:	DIAGRAMA DE CONEXION EXTRNA
MODEL NO.: F48V11A01 CUST. P/N: <input type="text"/> HP: 1/4 ROT.: CCWLE RPM: 1550 TYPE: UF FRAME: 48Y VOLTS: 115/208-230 PH: 1 AMPS: 4.9/2.5-2.5 HZ: 60 INS.: B AMB.: 40° C DUTY: AIR OVER CAP.: 4 MFD/370 V ENCL: SEMI-ENCLOSED UL LOGO CSA LOGO THERMALLY PROTECTED	

614131-315

	11.0/13.0	
	[279/330]	
	11.0/13.0	.25[6.4]
	[279/330]	
	11.0/13.0	.25[6.4]
	[279/330]	
	11.0/13.0	.50[12.7]
	[279/330]	
	11.0/13.0	.50[12.7]
	[279/330]	
	11.0/13.0	.50[12.7]
	[279/330]	
	11.0/13.0	.50[12.7]
	[279/330]	

COLOR LONGITUD TERMINAL O LONGITUD DE DESFORRE

CARCASA - LOC	
TAPA - LOC	
CARCASA - LC	
TAPA - LC	

CLIENTE DISTRIBUTION SERVICES

CURVAS DE FUNCIONAMIENTO	TORSION @ 1550 RPM (25°C)	MUESTRA APROBADA	COMPONENTE UL	CSA
C32306	20.6 OZ. FT.	0442802B	#ARCHIVO #CCN #	#ARCHIVO CLASE #
			E46412 PRGY2 LR43341	4211-01

INFORMACION DE ETIQUETA:	DIAGRAMA DE CONEXION EXTRNA
CARACTERISTICAS DE GEOMETRIA Y SIMBOLOS ▽ PLANICIDAD — RECTITUD < ANGULARIDAD ⊥ PERPENDICULARIDAD (A ESCUADRA) // PARALELISMO ○ REDONDEZ (CIRCULARIDAD) ∅ CILINDRICIDAD △ PERFIL DE CUALQUIER SUPERFICIE ∩ PERFIL DE CUALQUIER LINEA ↗ VARIACION ⊕ POSICION REAL ⊙ CONCENTRICIDAD = SIMETRIA	614131-315

ASME Y14.5M 1994

REGAL-BELOIT CORPORATION (RBC) PROVEE ASISTENCIA TECNICA A NUESTROS CLIENTES EN VARIAS AREAS. DESDE QUE RBC NO RECIBE TODOS LOS DATOS EN RELACION AL USO Y A LA APLICACION DEL MOTOR, LA APLICACION ADECUADA DEL MOTOR DEBE SER DETERMINADA POR EL CLIENTE.

DIMENSIONES SIN TOLERANCIA SON DE REFERENCIA SOLAMENTE

DIBUJADO POR:	DZ	02-16-2011
APROBADO POR:	DZ	02-16-2011
TERCER ANGULO DE PROYECCION	⊕	FECHA EDS: 11-11-2011 REV. FORMATO: G
CONFIDENCIAL: ESTE DIBUJO Y SU INFORMACION SON PROPIEDAD DE USO EXCLUSIVO Y CONFIDENCIAL DE REGAL-BELOIT CORPORATION. Y NO DEBERAN SER REVELADOS, DUPLICADOS, DISTRIBUIDOS O USARSE DE OTRA MANERA SIN EL CONSENTIMIENTO ESCRITO DE REGAL-BELOIT CORPORATION. -TODOS LOS DERECHOS RESERVADOS.		

DESCRIPCION:	
MODEL-RFHP-48FR OUTLINE	
TAMAÑO: C	NUMERO DE DIBUJO: F48V11A01
ESCALA: NONE	HOJA: 1

4

3

2

1

4

3

2

1

版本	ECO	编制	日期	批准	日期
B	0025529	J.M.RAMIREZ	04-24-2012	R.RASCON	04-24-2012

总技术要求:

轴跳动:

端部窜动量

轴承:

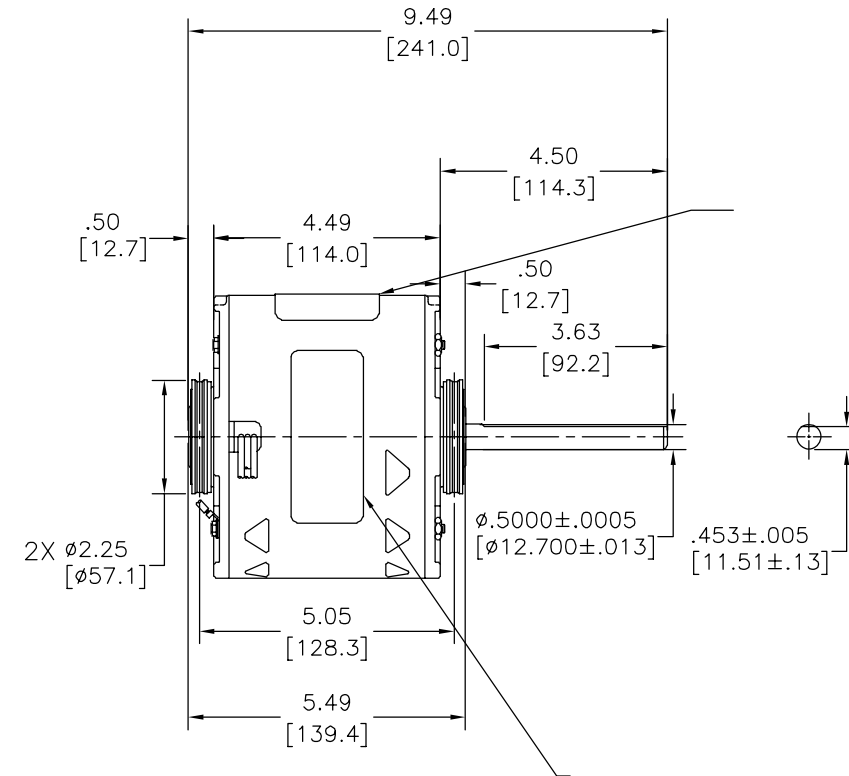
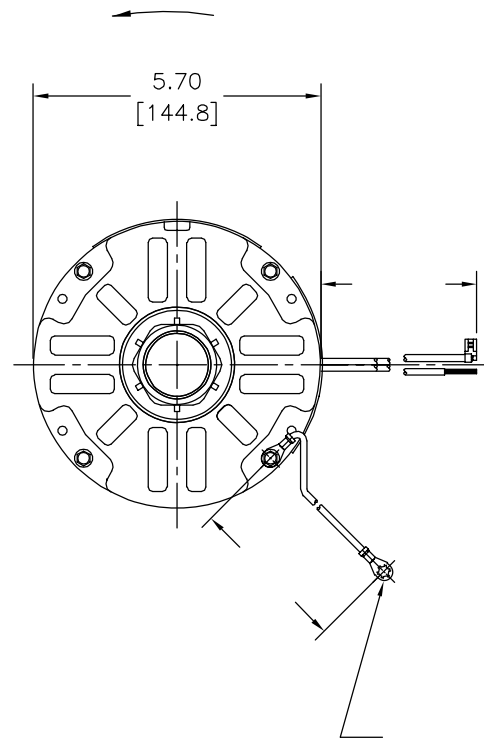
安装位置:

电气数据:

过载保护:

引线:

接地线:



铭牌数据	外部数据线
MODEL NO.: F48V11A01 CUST. P/N: <input type="text"/> HP: 1/4 ROT.: CCWLE RPM: 1550 TYPE: UF FRAME: 48Y VOLTS: 115/208-230 PH: 1 AMPS: 4.9/2.5-2.5 HZ: 60 INS.: B AMB.: 40° C DUTY: AIR OVER CAP.: 4 MFD/370 V ENCL: SEMI-ENCLOSED UL LOGO CSA LOGO THERMALLY PROTECTED	

614131-315

	11.0/13.0	
	[279/330]	
	11.0/13.0	.25[6.4]
	[279/330]	
	11.0/13.0	.25[6.4]
	[279/330]	
	11.0/13.0	.50[12.7]
	[279/330]	
	11.0/13.0	.50[12.7]
	[279/330]	
	11.0/13.0	.50[12.7]
	[279/330]	
	11.0/13.0	.50[12.7]
	[279/330]	

颜色	长度	端子或剥线长度

无引线端机壳	
无引线端端盖	
有引线端机壳	
有引线端端盖	

用户	DISTRIBUTION SERVICES
----	-----------------------

性能曲线编号	转矩在1550 RPM (25° C)	批准样品	UL部件		CSA	
C32306	20.6 OZ. FT.	0442802B	文件号	指南	文件号	指南
			E46412	PRGY2	LR43341	4211-01

- 形位公差
- 平面度
- 直线度
- ∠ 倾斜度
- ⊥ 垂直度
- // 平行度
- 圆度
- ⊘ 圆柱度
- ⊙ 面轮廓度
- △ 线轮廓度
- ⌒ 圆跳动
- ⊕ 位置度
- ⊗ 同轴度
- ≡ 对称度

ASME Y14.5M 1994

REGAL-BELOIT CORPORATION (RBC) 在个别领域为客户提供技术支持。鉴于RBC未收到任何涉及电机使用和应用环境的数据，电机的适用性由客户自己决定。

未注公差尺寸仅供参考。

绘图:	DZ	02-16-2011
批准:	DZ	02-16-2011
第三角投影		图纸格式发布日期 11-11-2011 图纸格式版本 G
机密: 本图纸及相关信息所有权归REGAL-BELOIT CORPORATION。未经REGAL-BELOIT CORPORATION书面授权, 不得泄露、复制或传播或作其他用途。一版权所有		

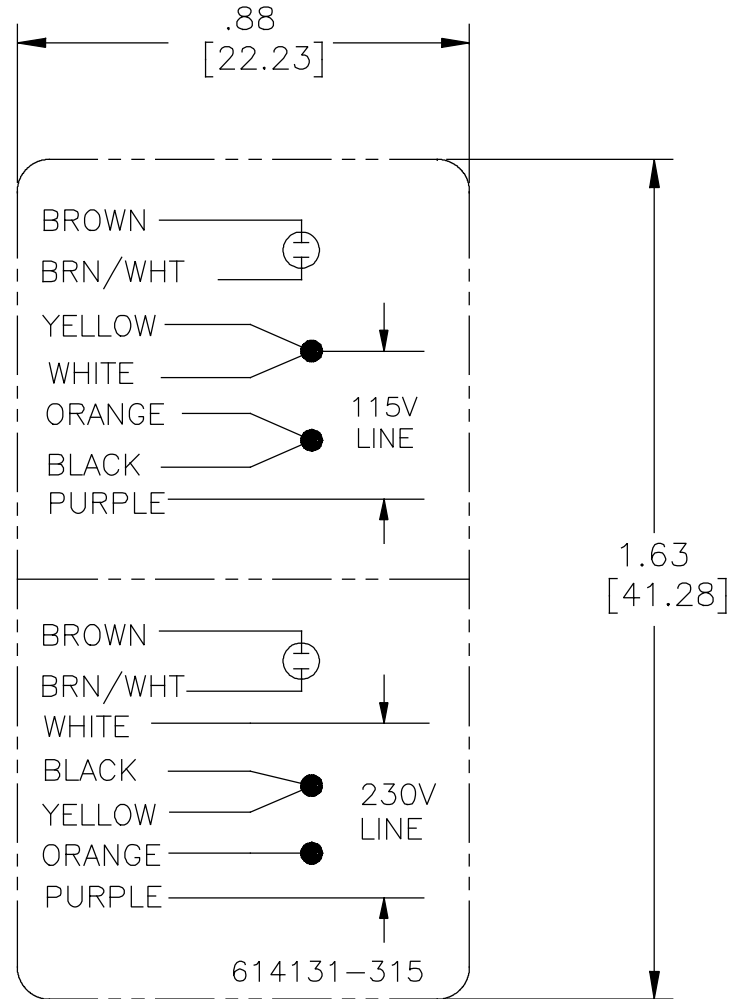
名称 MODEL-RFHP-48FR OUTLINE	
图幅 C	图号 F48V11A01
比例 NONE	页号 1

4

3

2

1



NOTES:

1. FOR USE WITH 614129 NAMEPLATE BLANK
2. — — — — — INDICATES DIMENSION LIMITS
3. DIE TO BE MADE FROM MASTER SUPPLIED BY REGAL BELOIT CORPORATION
4. DIE MUST PRODUCE A LEGIBLE IMPRESSION.

DRAWING REVISION B	REVISION BY CADDIE.ZHOU	DATE 11-20-2018	TOLERANCES UNLESS OTHERWISE SPECIFIED				DRAWN BY: CADDIE.ZHOU	Regal Beloit America, Inc.		
ECO ECO-0156876	APPROVED BY TRICIA.NIEDERHOLTMEYER	DATE 11-20-2018	DEC.	INCH	mm	ANGLE	DATE: 11-20-2018			
ECO DESCRIPTION REDRAW			.X	±0.1	[±2.5]	±0.5°	APPROVED BY: TRICIA.NIEDERHOLTMEYER	DESCRIPTION CONN DIAGRAM-EXTERNAL		
<small>COPYRIGHT REGAL BELOIT AMERICA, INC. ALL RIGHTS RESERVED. PROPRIETARY AND CONFIDENTIAL INFORMATION - THIS DOCUMENT IS THE PROPERTY OF REGAL BELOIT AMERICA, INC. ("OWNER") AND CONTAINS OWNER'S PROPRIETARY INFORMATION. ANY PERSON, CORPORATION OR OTHER FIRM RECEIVING IT IS DEEMED, BY RECEIVING IT, TO AGREE THAT IT, AND/OR ANY PART OF IT, SHALL NOT BE DISCLOSED TO ANY PERSON, CORPORATION OR OTHER ENTITY, DUPLICATED, AND/OR USED, EXCEPT AS EXPRESSLY APPROVED IN WRITING IN ADVANCE BY OWNER. THIS DOCUMENT SHALL BE RETURNED TO OWNER UPON REQUEST. IT MAY BE SUBJECT TO CERTAIN RESTRICTIONS UNDER APPLICABLE EXPORT CONTROL LAWS AND REGULATIONS.</small>			.XX	±0.02	[±0.51]		DATE: 11-20-2018	MATERIAL	PROCESS/FINISH	
			.XXX	±0.005	[±0.127]		REFERENCE 614131 SHT #32	SIZE DWG NO		
			.XXXX	±0.0005	[±0.0127]		THIRD ANGLE PROJECTION	A	614131-315	SHEET 1
			REMOVE BURRS & BREAK SHARP EDGES .003/.015 [.076/.381] CORNER FILLETS .02 [.51] MACHINED SURFACES INCH ¹²⁵ / mm ^{3.2} / mm SHOWN IN [BRACKETS]							