

PRODUCT INFORMATION PACKET



Model No: 9695
Catalog No: 9695
1/5-1/6-1/8 HP Fan & Blower Motor, 1050 RPM, 3 Speed, 115 Volts, 42 Frame, OAO

Fan and Blower Motors



Regal and Century are trademarks of Regal Rexnord Corporation or one of its affiliated companies.
©2022 Regal Rexnord Corporation, All Rights Reserved. MC017097E





Nameplate Specifications

Output HP	1/5-1/6-1/8 Hp	Output KW	0.15 kW
Frequency	60 Hz	Voltage	115 V
Current	6.8/5.3/4.2 A	Speed	1050 rpm
Service Factor	1	Phase	1
Duty	Air Over	Insulation Class	A
Frame	42Y	Enclosure	Open Air Over
Thermal Protection	Automatic	Ambient Temperature	40 °C
UL	Recognized	CSA	Y
CE	N	Number of Speeds	3

Technical Specifications

Electrical Type	Shaded Pole	Starting Method	Across The Line
Poles	6	Rotation	Counterclockwise Lead End
Mounting	Resilient Rings	Motor Orientation	Horizontal
Drive End Bearing	Sleeve	Opp Drive End Bearing	Sleeve
Frame Material	Rolled Steel	Shaft Type	Flat
Overall Length	10.50 in	Frame Length	4.42 in
Shaft Diameter	0.500 in	Shaft Extension	5.5 in
Outline Drawing	DA3J7094-S01		

This is an uncontrolled document once printed or downloaded and is subject to change without notice. Date Created:03/04/2022

4

3

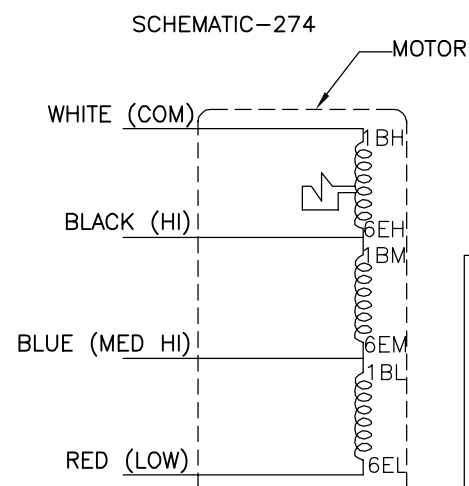
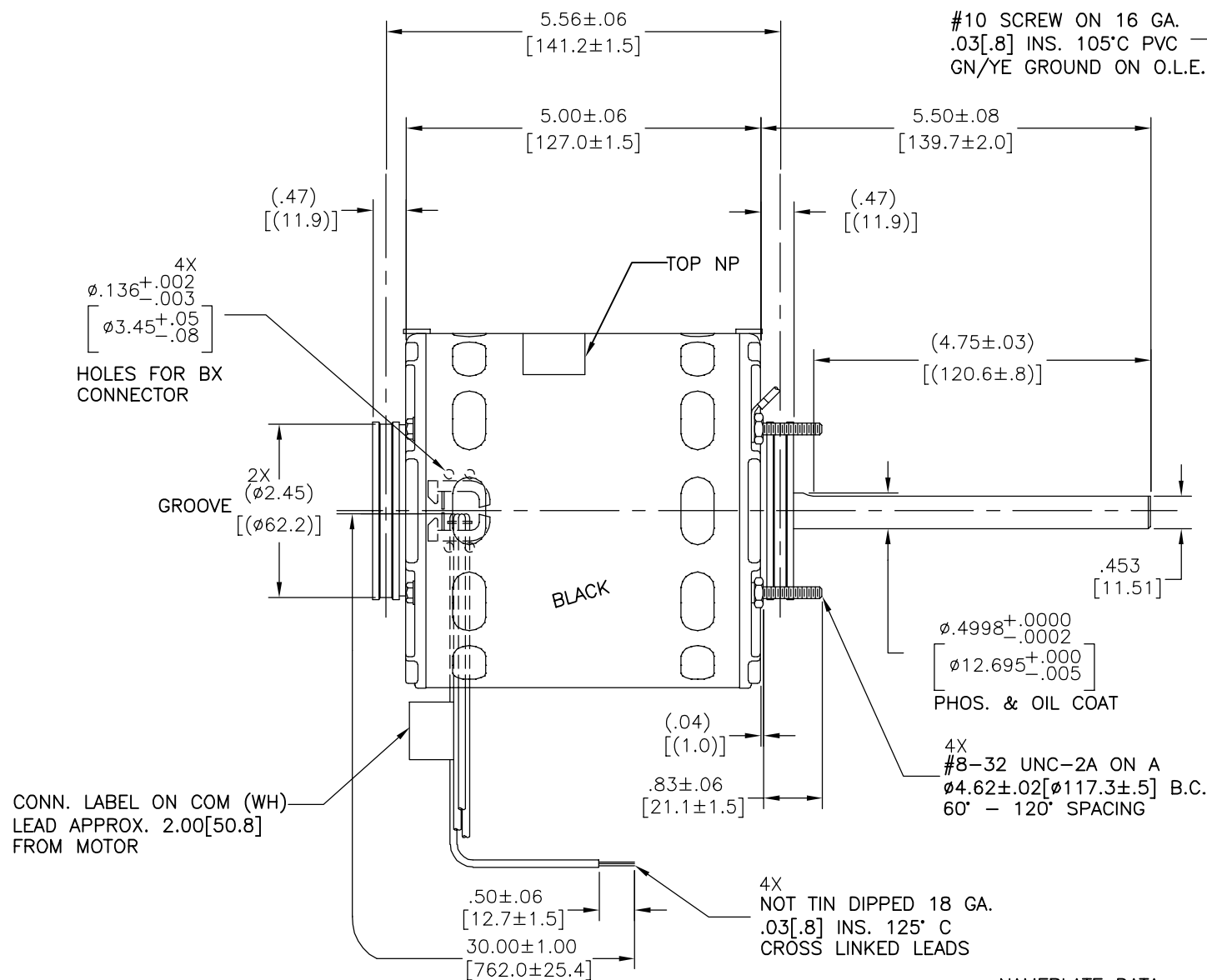
2

1

CUSTOMER IS SOLELY RESPONSIBLE FOR MOTOR PERFORMANCE AND SUITABILITY IN APPLICATIONS FOR CUSTOMER'S USES.

REV	ECO	REV BY	DATE	APPD	DATE
F	0029020	J.AGUILERA	07-11-12	D.BALDERRAMA	07-11-12

END PLAY .005[.13] MIN - .040[1.02] MAX
 MAX. SHAFT RUN OUT .001[.03] PER INCH
 MAX. RUN OUT NOT TO EXCEED .010[.25]



NAMEPLATE DATA:

Tipp City, OH
 THERMALLY PROTECTED
 SER. DATE & PO# PLT LTR MOD DA3J094N# [] [] [] []
 VOLTS 115 HZ 60 AMPS 6.8
 RPM 1050 SP 3 PH 1 CAP
 INS CL A AMB40°C HP CONT. A.O. ← ROTATION →
 BRG SLV BK HI 6.8 A 1/5 HP ASSEMBLED IN MEXICO
 BU MED 5.3 A 1/6 HP
 RD LO 4.2 A 1/8 HP
 WH COM

ELECTRICALLY PER SAMPLE S-4335C
 PERFORMANCE CURVE NO. C32370

CONN. LABEL 63T7433-210

GEOMETRIC CHARACTERISTICS & SYMBOLS

- FLATNESS
- STRAIGHTNESS
- ∠ ANGULARITY
- ⊥ PERPENDICULARITY (SQUARENESS)
- // PARALLELISM
- ROUNDNESS (CIRCULARITY)
- ∅ CYLINDRICITY
- △ PROFILE OF ANY SURFACE
- ∩ PROFILE OF ANY LINE
- ∩ RUNOUT
- ⊕ TRUE POSITION
- ◎ CONCENTRICITY
- ≡ SYMMETRY

ASME Y14.5M 1994

UNLESS OTHERWISE SPECIFIED DIM. TOLERANCES ARE AS FOLLOWS:

INCH	±.1	±.02	±.005	±.0005
mm	±0.5	±0.13	±0.013	

ANG. ±.50 DEG
 REMOVE BURRS & BREAK SHARP EDGES:
 INCH .003-.015 mm 0.1-0.4
 CORNER FILLETS TO:
 INCH .020 mm 0.5
 MACHINE SURFACES:
 INCH 125 mm 3.2

METRIC DIMS. SHOWN IN [BRACKETS]

DR BY: JRUPERT 09-27-2004

APPD:

THIRD ANGLE PROJECTION

EDS DATE 11-11-2011
 FORMAT REV H

CONFIDENTIAL: THIS DRAWING AND ITS INFORMATION ARE THE EXCLUSIVE AND CONFIDENTIAL PROPERTY OF REGAL-BELOIT CORPORATION AND ARE NOT TO BE DISCLOSED, DUPLICATED, DISTRIBUTED OR OTHERWISE USED WITHOUT THE WRITTEN CONSENT OF REGAL-BELOIT CORPORATION. -ALL RIGHTS RESERVED.

REGAL REGAL-BELOIT CORPORATION

DESCRIPTION: MODEL-RFHP-42FR OUTLINE

SIZE C DWG NO DA3J7094

SCALE NONE SHEET 1

4

3

2

1

4

3

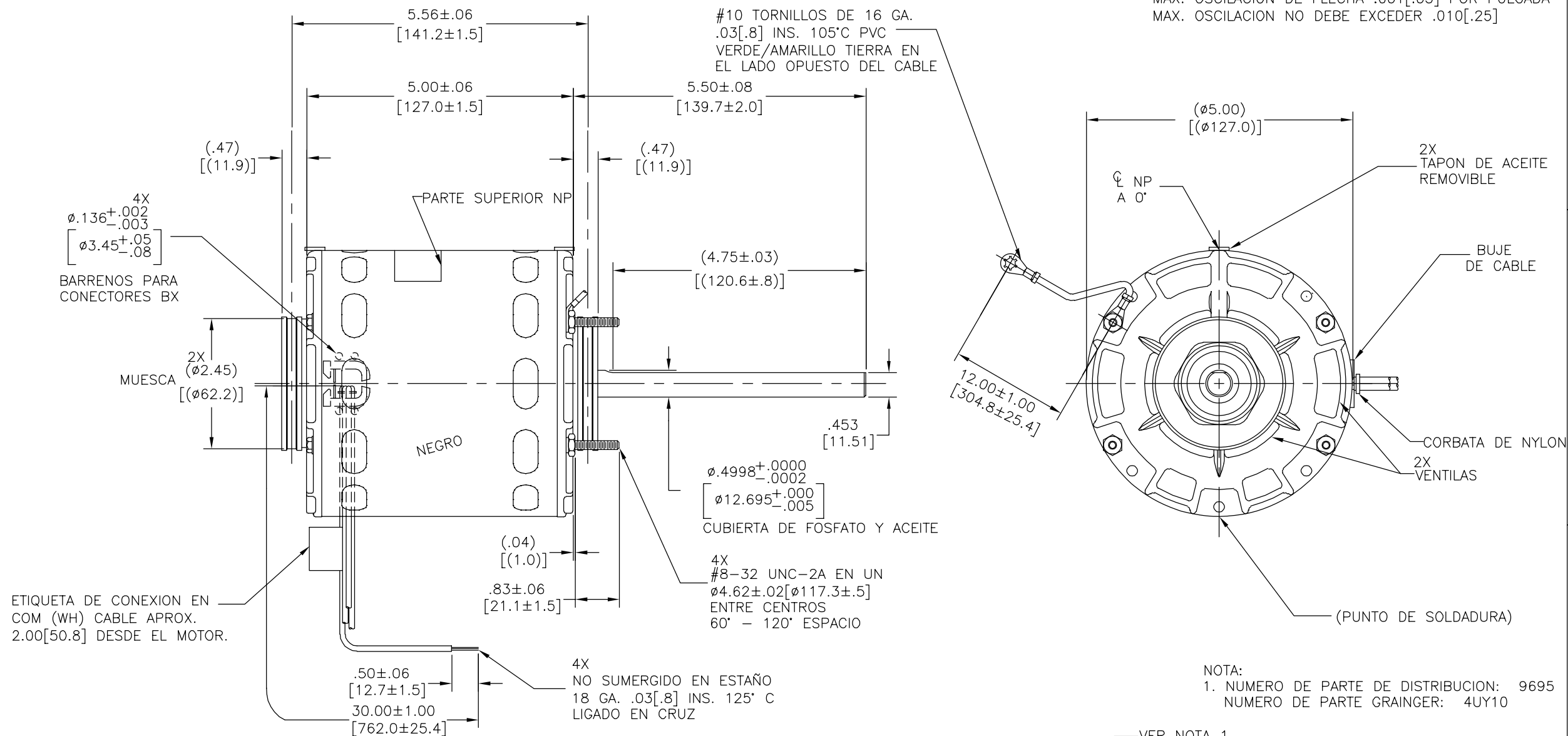
2

1

EL CLIENTE ES COMPLETAMENTE RESPONSABLE DEL DESEMPEÑO DEL MOTOR EN LOS USOS Y APLICACIONES CONVENIENTES PARA EL CLIENTE.

REVISION:	ECO	REVISADO POR:	FECHA:	APROBADO POR:	FECHA:
F	0029020	J.AGUILERA	07-11-12	D.BALDERRAMA	07-11-12

JUEGO AXIAL .005[.13] MIN - .040[1.02] MAX
 MAX. OSCILACION DE FLECHA .001[.03] POR PULGADA
 MAX. OSCILACION NO DEBE EXCEDER .010[.25]

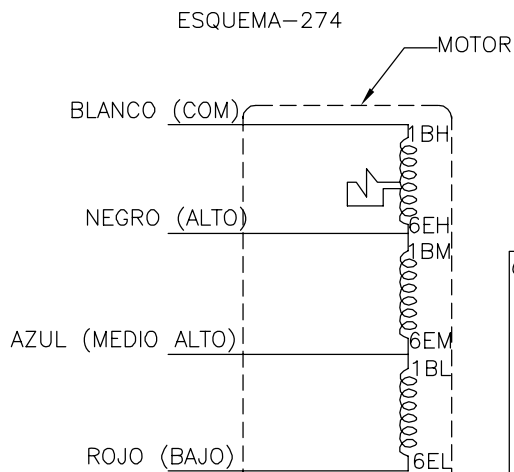


NOTA:
 1. NUMERO DE PARTE DE DISTRIBUCION: 9695
 NUMERO DE PARTE GRAINGER: 4UY10

INFORMACION DE PLACA DE DATOS
Century Tipp City, OH
 THERMALLY PROTECTED
 SER. DATE & PO# PLT LTR MOD DA3J094N# [] [] [] []
 VOLTS 115 HZ 60 AMPS 6.8
 RPM 1050 SP 3 PH 1 CAP
 INS CL A AMB40°C HP CONT. A.O. ← ROTATION →
 BRG SLV BK HI 6.8 A 1/5 HP ASSEMBLED IN MEXICO
 BU MED 5.3 A 1/6 HP
 RD LO 4.2 A 1/8 HP
 WH COM

ELECTRICAMENTE POR MUESTRA S-4335C
 NO. DE CURVA DE DESEMPEÑO C32370

ETIQUETA DE CONEXION 63T7433-210



CARACTERISTICAS DE GEOMETRIA Y SIMBOLOS

- PLANICIDAD
- RECTITUD
- ∠ ANGULARIDAD
- ⊥ PERPENDICULARIDAD (A ESQUADRA)
- // PARALELISMO
- REDONDEZ (CIRCULARIDAD)
- ∅ CILINDRICIDAD
- △ PERFIL DE CUALQUIER SUPERFICIE
- ∇ PERFIL DE CUALQUIER LINEA
- ∠ VARIACION
- ⊕ POSICION REAL
- ⊙ CONCENTRICIDAD
- = SIMETRIA

ASME Y14.5M 1994

A MENOS QUE SE ESPECIFIQUE DE OTRA MANERA, LAS TOLERANCIAS DE LAS DIMS; SON LAS SIGUIENTES:

PULG ±.1 ±.02 ±.005 ±.0005
 mm ±0.5 ±0.13 ±0.013

ANG. ±50 GRADOS
 ELIMINAR REBABAS Y ORILLAS FILOSAS DEL BORDE.

PULG .003-.015 mm 0.1-0.4
 FILETEAR ESQUINA: PULG .020 mm 0.5

MAQUINAR SUPERFICIES
 PULG 125 mm 3.2

DIMS METRICAS MOSTRADAS [PARENTESIS]

DIBUJADO POR: JRUPERT 09-27-2004

APROBADO POR:

TERCER ANGULO DE PROYECCION

FECHA EDS: 11-11-2011
 REV. FORMATO: H

CONFIDENCIAL: ESTE DIBUJO Y SU INFORMACION SON PROPIEDAD DE USO EXCLUSIVO Y CONFIDENCIAL DE REGAL-BELOIT CORPORATION. Y NO DEBERAN SER REVELADOS, DUPLICADOS, DISTRIBUIDOS O USARSE DE OTRA MANERA SIN EL CONSENTIMIENTO ESCRITO DE REGAL-BELOIT CORPORATION. -TODOS LOS DERECHOS RESERVADOS.

REGAL REGAL-BELOIT CORPORATION

DESCRIPCION: MODEL-RFHP-42FR OUTLINE

TAMAÑO: C NUMERO DE DIBUJO: DA3J7094

ESCALA: NONE HOJA: 1

4

3

2

1