

# PRODUCT INFORMATION PACKET



Model No: 9647

Catalog No: 9647

Fan Coil & Air Conditioner Motor, 1/6 HP, 1 Ph, 60 Hz, 115 V, 1075 RPM, 3 Speed, 48 Frame, OPEN



Regal and Century are trademarks of Regal Rexnord Corporation or one of its affiliated companies.  
©2022 Regal Rexnord Corporation, All Rights Reserved. MC017097E





**Nameplate Specifications**

Output HP	1/6 Hp	Output KW	0.13 kW
Frequency	60 Hz	Voltage	115 V
Current	2.7 A	Speed	1075 rpm
Service Factor	1	Phase	1
Duty	Air Over	Insulation Class	B
Frame	48Y	Enclosure	Open Enclosed
Thermal Protection	Automatic	Ambient Temperature	40 °C
UL	Recognized	CSA	Y
CE	N	Number of Speeds	3

**Technical Specifications**

Electrical Type	Permanent Split Capacitor	Starting Method	Across The Line
Poles	6	Rotation	Reversible
Mounting	Flexible Arms	Motor Orientation	Horizontal
Drive End Bearing	Sleeve	Opp Drive End Bearing	Sleeve
Frame Material	Rolled Steel	Shaft Type	Flat
Overall Length	9.74 in	Frame Length	3.63 in
Shaft Diameter	0.500 in	Shaft Extension	5.5 in
Outline Drawing	11827-024-S01	Connection Drawing	614131-111

This is an uncontrolled document once printed or downloaded and is subject to change without notice. Date Created:11/29/2022

4

3

2

1

GENERAL INFORMATION:

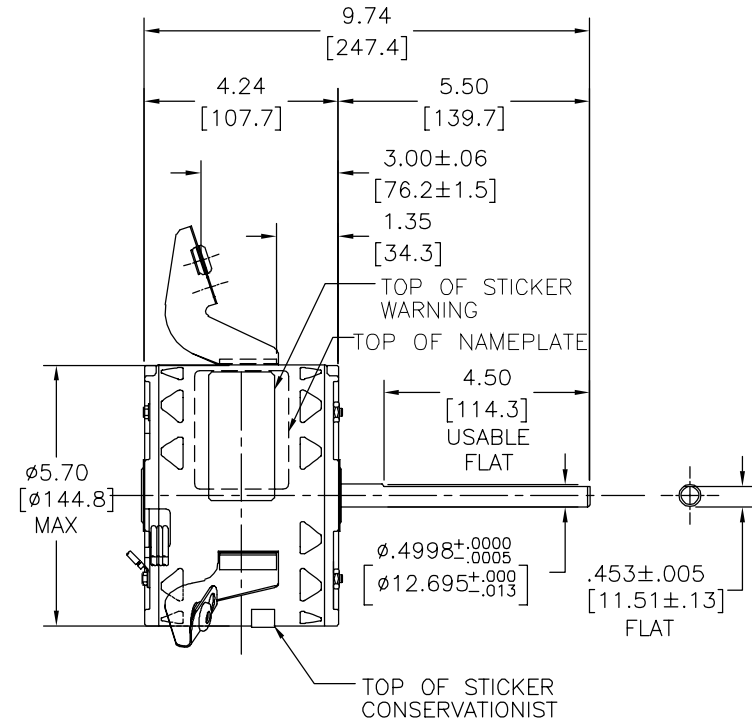
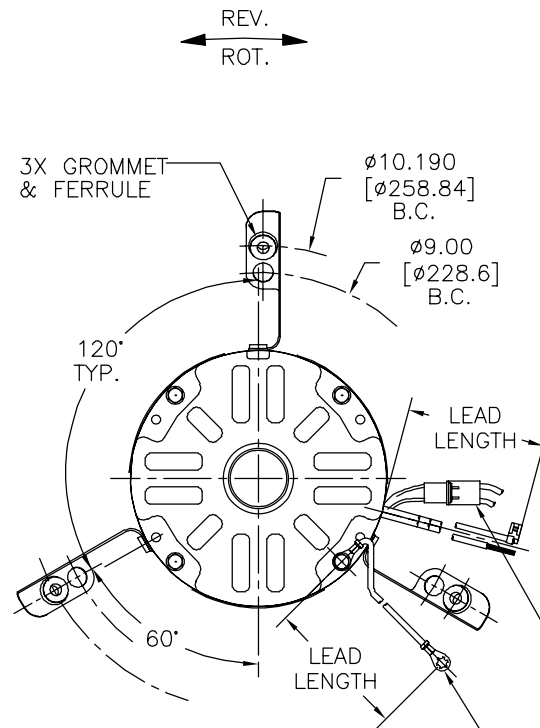
SHAFT RUNOUT: .001 [.03] T.I.R. PER INCH LENGTH OF EXTENSION  
 END PLAY: .010[.25] TO .063[1.60]  
 BEARINGS: SLEEVE  
 MOUNTING POSITION: HORIZONTAL

ELECTRICAL DATA:

OVERLOAD PROTECTOR: AUTOMATIC RESET (T.I. 7AM 036)  
 LEADS: NO. 18 GA., .03 [.8] THK., 125°C INSUL.  
 GROUND LEAD: NO. 18 GA., .03 [.8] THK. (GREEN) INSUL.

NOTES:  
 1. DISTRIBUTION:CUST.P/N:9647  
 GRAINGER:CUST.P/N:4MB50

REV	ECO	REV BY	DATE	APPD	DATE
C	0025529	J.M.RAMIREZ	04-23-2012	R.RASCON	04-23-2012



REVERSING PLUG (MOTOR TO BE SHIPPED CONNECTED FOR CCWLE ROTATION).  
 GROUND LEAD (TERMINAL AT MOTOR MUST NOT PROTRUDE BEYOND MOTOR O.D.).

SEE NOTE 1

NAMEPLATE DATA:	EXTERNAL CONNECTION DIAGRAM
MODEL NO.: F48U90A01 CUST. P/N: [ ] HP: 1/6 ROT.: REVERSIBLE RPM: 1075/3 SPD TYPE: UF FRAME: 48Y VOLTS: 115 PH: 1 AMPS: 2.7 HZ: 60 INS.: B AMB.: 40°C DUTY: AIR OVER CAP.: 5 MFD/370V ENCL: OPEN UL LOGO CSA LOGO THERMALLY PROTECTED	

GREEN(GRD)	12.0/13.0 [305/330]	#10 EYELET
BLACK/WHITE	3.0/5.0 [76/127]	REVERSING PLUG
BROWN/WHITE	26.0/28.0 [660/711]	.25 [6.4] FLAG
BROWN	26.0/28.0 [660/711]	.25 [6.4] FLAG
YELLOW	26.0/28.0 [660/711]	.50 [12.7] SKIN
BLACK	26.0/28.0 [660/711]	.50 [12.7] SKIN
BLUE	26.0/28.0 [660/711]	.50 [12.7] SKIN
RED	26.0/28.0 [660/711]	.50 [12.7] SKIN
COLOR	LENGTH	TERMINAL OR STRIP LENGTH

MAIN FRAME - OLE	OPEN
END FRAME - OLE	OPEN
MAIN FRAME - LE	OPEN
END FRAME - LE	OPEN

CUSTOMER	DISTRIBUTION SERVICE
----------	----------------------

PERFORMANCE CURVE NO.	TORQUE @ 1075 RPM (25°C)	APPROVED SAMPLE	UL COMPONENT FILE #	CCN #	CSA FILE #	CLASS #
C32258	16.8 OZ. FT.	0443159A	E46412	PRGY2	LR43341	260-0-0

GEOMETRIC CHARACTERISTICS & SYMBOLS  
 □ FLATNESS  
 - STRAIGHTNESS  
 < ANGLARITY  
 ⊥ PERPENDICULARITY (SQUARENESS)  
 // PARALLELISM  
 ○ ROUNDNESS (CIRCULARITY)  
 ∅ CYLINDRICITY  
 △ PROFILE OF ANY SURFACE  
 ∩ PROFILE OF ANY LINE  
 ↗ RUNOUT  
 ⊕ TRUE POSITION  
 ⊙ CONCENTRICITY  
 = SYMMETRY  
 ASME Y14.5M 1994

REGAL-BELOIT CORPORATION (RBC) PROVIDES TECHNICAL ASSISTANCE TO OUR CUSTOMERS IN SEVERAL AREAS. SINCE RBC DOES NOT RECEIVE ALL DATA CONCERNING THE USE AND APPLICATION OF THE MOTOR, THE SUITABILITY OF THE MOTOR FOR THE APPLICATION MUST BE DETERMINED BY THE CUSTOMER.  
 DIMENSIONS WITHOUT TOLERANCES ARE FOR REFERENCE ONLY.

DR BY: CORDON 07-27-2004  
 APPD: PIATT 07-27-2004  
 EDS DATE 11-11-2011  
 FORMAT REV G  
 THIRD ANGLE PROJECTION  
 CONFIDENTIAL: THIS DRAWING AND ITS INFORMATION ARE THE EXCLUSIVE AND CONFIDENTIAL PROPERTY OF REGAL-BELOIT CORPORATION AND ARE NOT TO BE DISCLOSED, DUPLICATED, DISTRIBUTED OR OTHERWISE USED WITHOUT THE WRITTEN CONSENT OF REGAL-BELOIT CORPORATION. -ALL RIGHTS RESERVED.

DESCRIPTION	
MODEL-RFHP-48FR OUTLINE	
SIZE C	DWG NO 11827-024
SCALE NONE	SHEET 1

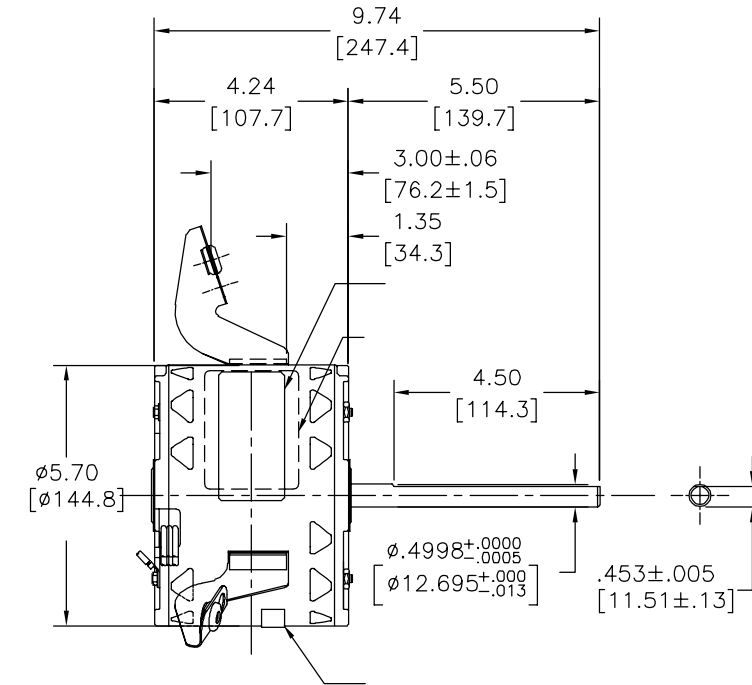
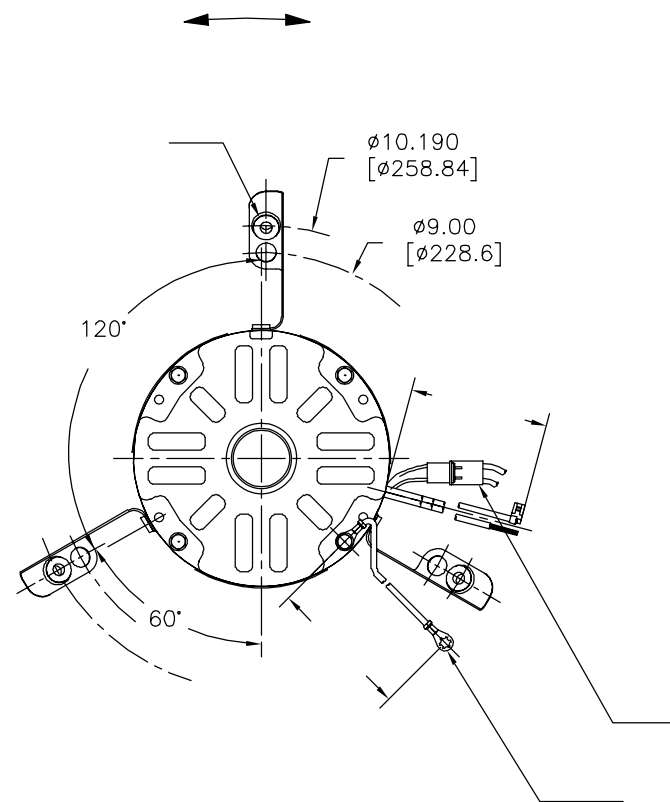
4

3

2

1

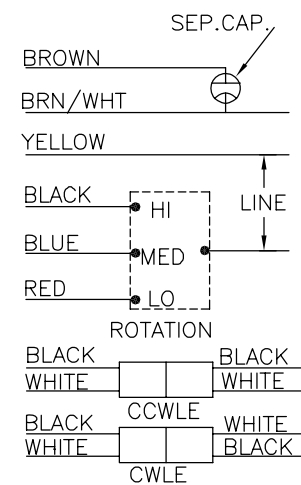
REVISION:	ECO	REVISADO POR:	FECHA:	APROBADO POR:	FECHA:
C	0025529	J.M.RAMIREZ	04-23-2012	R.RASCON	04-23-2012



DATOS DE PLACA DE DATOS:

MODEL NO.: F48U90A01  
 CUST. P/N: [ ]  
 HP: 1/6  
 ROT.: REVERSIBLE  
 RPM: 1075/3 SPD  
 TYPE: UF  
 FRAME: 48Y  
 VOLTS: 115  
 PH: 1  
 AMPS: 2.7  
 HZ: 60  
 INS.: B  
 AMB.: 40°C  
 DUTY: AIR OVER  
 CAP.: 5 MFD/370V  
 ENCL: OPEN  
 UL LOGO  
 CSA LOGO  
 THERMALLY PROTECTED

DIAGRAMA DE CONEXION EXTERNA



614131-111

CURVAS DE FUNCIONAMIENTO	TORSION @1075 RPM (25°C)	MUESTRA APROVADA	COMPONENTE UL	CSA
C32258	36.8 OZ. FTES	0443159A	E46412 PRGY2	LR43341 260-0-0

	12.0/13.0 [305/330]	
VERDE (TIERRA)	3.0/5.0 [76/127]	OJAL #10
NEGRO/BLANCO	26.0/28.0 [660/711]	TAPON [DE4] INVERSION
CAFE	26.0/28.0 [660/711]	.25 [6.4] BANDERA
CAFE/BLANCO	26.0/28.0 [660/711]	.50 [12.7] BANDERA
ROJO	26.0/28.0 [660/711]	.50 [12.7] FORRO
NEGRO	26.0/28.0 [660/711]	.50 [12.7] FORRO
AMARILLO	26.0/28.0 [660/711]	.50 [12.7] FORRO
COLOR	LONGITUD	TERMINAL O LONGITUD DE DESFORRE

CUERPO PPAL.-OLE	CERRADO
TAPA FINAL - OLE	CERRADO CON ORIFICIO DE DRENADO
CUERPO PPAL.-OLE	CERRADO
TAPA FINAL - OLE	CERRADO CON ORIFICIO DE DRENADO

CLIENTE	DISTRIBUTION SERVICE
---------	----------------------

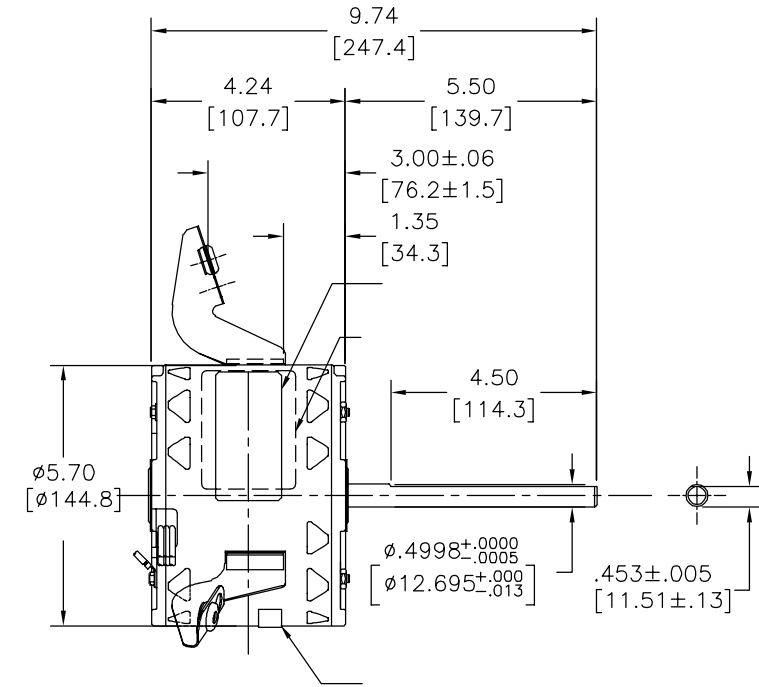
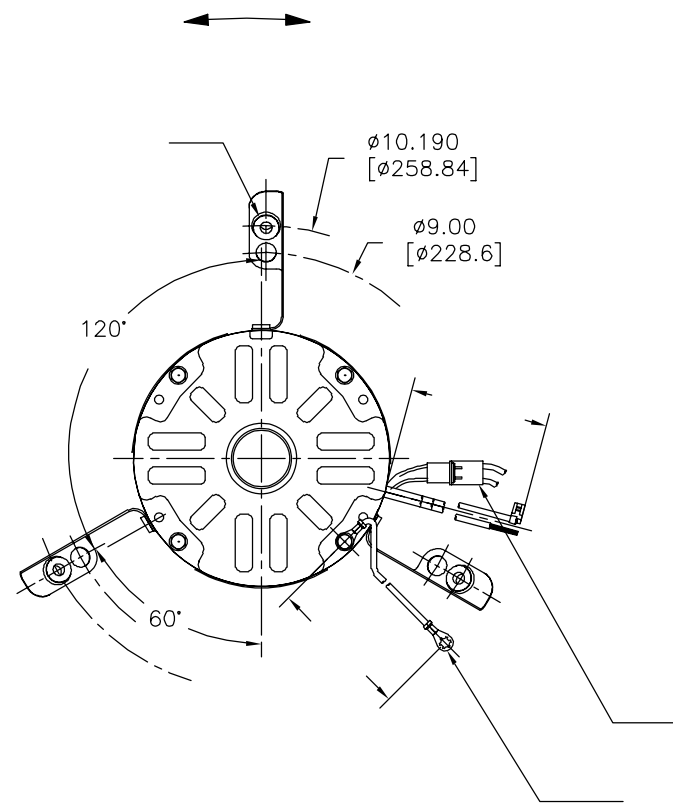
CARACTERISTICAS DE GEOMETRIA Y SIMBOLOS  
 ▽ PLANICIDAD  
 — RECTITUD  
 < ANGULARIDAD  
 ⊥ PERPENDICULARIDAD (A ESQUADRA)  
 // PARALELISMO  
 ○ REDONDEZ (CIRCULARIDAD)  
 ∅ CILINDRICIDAD  
 △ PERFIL DE CUALQUIER SUPERFICIE  
 ∩ PERFIL DE CUALQUIER LINEA  
 ↗ VARIACION  
 ⊕ POSICION REAL  
 ⊙ CONCENTRICIDAD  
 = SIMETRIA  
 ASME Y14.5M 1994

REGAL-BELOIT CORPORATION (RBC) PROVEE ASISTENCIA TECNICA A NUESTROS CLIENTES EN VARIAS AREAS. DESDE QUE RBC NO RECIBE TODOS LOS DATOS EN RELACION AL USO Y A LA APLICACION DEL MOTOR, LA APLICACION ADECUADA DEL MOTOR DEBE SER DETERMINADA POR EL CLIENTE.  
 DIMENSIONES SIN TOLERANCIA SON DE REFERENCIA SOLAMENTE

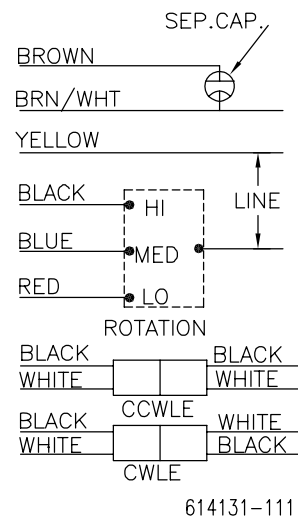
DIBUJADO POR: CORDON 07-27-2004  
 APROBADO POR: PIATT 07-27-2004  
 TERCER ANGULO DE PROYECCION  
 CONFIDENCIAL: ESTE DIBUJO Y SU INFORMACION SON PROPIEDAD DE USO EXCLUSIVO Y CONFIDENCIAL DE REGAL-BELOIT CORPORATION. Y NO DEBERAN SER REVELADOS, DUPLICADOS, DISTRIBUIDOS O USARSE DE OTRA MANERA SIN EL CONSENTIMIENTO ESCRITO DE REGAL-BELOIT CORPORATION. -TODOS LOS DERECHOS RESERVADOS.

DESCRIPCION: **MODEL-RFHP-48FR OUTLINE**  
 TAMAÑO: C NUMERO DE DIBUJO: 11827-024  
 ESCALA: NONE HOJA: 1

版本	ECO	编制	日期	批准	日期
C	0025529	J.M.RAMIREZ	04-23-2012	R.RASCON	04-23-2012



MODEL NO.: F48U90A01  
 CUST. P/N: [ ]  
 HP: 1/6  
 ROT.: REVERSIBLE  
 RPM: 1075/3 SPD  
 TYPE: UF  
 FRAME: 48Y  
 VOLTS: 115  
 PH: 1  
 AMPS: 2.7  
 HZ: 60  
 INS.: B  
 AMB.: 40°C  
 DUTY: AIR OVER  
 CAP.: 5 MFD/370V  
 ENCL: OPEN  
 UL LOGO  
 CSA LOGO  
 THERMALLY PROTECTED



	12.0/13.0	
	[305/330]	
	3.0/5.0	
	[76/127]	
	26.0/28.0	.25 [6.4]
	[660/711]	
	26.0/28.0	.25 [6.4]
	[660/711]	
	26.0/28.0	.50 [12.7]
	[660/711]	
	26.0/28.0	.50 [12.7]
	[660/711]	
	26.0/28.0	.50 [12.7]
	[660/711]	

		CSA	
FILE #	CCN #	FILE #	CLASS #
C32258	16.8 OZ. FT.	0443159A	E46412 PRGY2 LR43341 260-0-0

- 形位公差
- 平面度
- 直线度
- ∠ 倾斜度
- ⊥ 垂直度
- // 平行度
- 圆度
- ⊘ 圆柱度
- △ 面轮廓度
- ∩ 线轮廓度
- ↗ 圆跳动
- ⊕ 位置度
- ⊙ 同轴度
- ≡ 对称度

ASME Y14.5M 1994

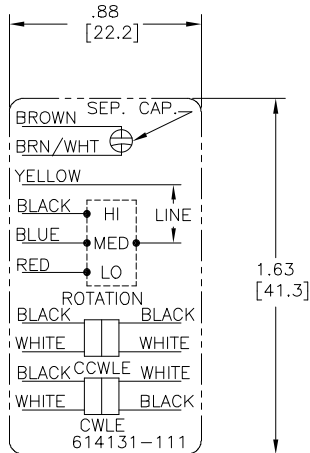
REGAL-BELOIT CORPORATION (RBC) 在个别领域为客户提供技术支持。鉴于RBC未收到任何涉及电机使用和应用环境的数据，电机的适用性由客户自己决定。

未注公差尺寸仅供参考。

绘图:	CORDON	07-27-2004
批准:	PIATT	07-27-2004
第三角投影		图纸格式发布日期 11-11-2011 图纸格式版本 G
机密: 本图纸及相关信息所有权归REGAL-BELOIT CORPORATION。未经REGAL-BELOIT CORPORATION书面授权, 不得泄露、复制或传播或作其他用途。一版权所有		



名称		MODEL-RFHP-48FR OUTLINE
图幅	C	图号 11827-024
比例	NONE	页号 1



NOTES:

1. FOR USE WITH 614129 NAMEPLATE BLANK
2. ----- INDICATES DIMENSION LIMITS
3. DIE TO BE MADE FROM MASTER SUPPLIED BY A. O. SMITH CORPORATION
4. DIE MUST PRODUCE A LEGIBLE IMPRESSION.

DRAWING REVISION		REVISION BY	DATE	TOLERANCES UNLESS OTHERWISE SPECIFIED		DRAWN BY:		Regal Beloito America, Inc.	
D		J. RUPERT	04-14-2021	DEC.	INCH	mm	ANGLE		DESCRIPTION CONNECTION DIAGRAM EXTERNAL
ECO		APPROVED BY	DATE	.X	±0.1	[±2.5]	±0.5°	APPROVED BY:	
NMR-0208129		J. RUPERT	04-14-2021	.XX	±0.02	[±0.51]		T. RILEY	
ECO DESCRIPTION				.XXX	±0.005	[±0.127]		DATE:	
UP ISSUED				.XXXX	±0.0005	[±0.0127]		05-25-2010	
COPYRIGHT REGAL BELOITO AMERICA, INC. ALL RIGHTS RESERVED. PROPRIETARY AND CONFIDENTIAL INFORMATION - THIS DOCUMENT IS THE PROPERTY OF REGAL BELOITO AMERICA, INC. ("OWNER") AND CONTAINS OWNER'S PROPRIETARY INFORMATION. ANY PERSON, CORPORATION OR OTHER FIRM RECEIVING IT IS DEEMED BY RECEIVING IT, TO AGREE THAT IT, AND/OR ANY PART OF IT, SHALL NOT BE DISCLOSED TO ANY PERSON, CORPORATION OR OTHER ENTITY, DUPLICATED, AND/OR USED, EXCEPT AS EXPRESSLY APPROVED IN WRITING IN ADVANCE BY OWNER. THIS DOCUMENT SHALL BE RETURNED TO OWNER UPON REQUEST. IT MAY BE SUBJECT TO CERTAIN RESTRICTIONS UNDER APPLICABLE EXPORT CONTROL LAWS AND REGULATIONS.				REMOVE BURRS & BREAK SHARP EDGES .003/.015 [076/381] X 45° CORNER FILLETS R.02 [51]		REFERENCE		MATERIAL	PROCESS/FINISH
				MACHINED SURFACE		mm SHOWN IN [BRACKETS]		THIRD ANGLE PROJECTION	
						A		614131-111	SHEET 1