

PRODUCT INFORMATION PACKET



Model No: 9644A

Catalog No: 9644A

Fan and Blower Motor, 1/8,1/12,1/14 HP, 1 Ph, 60 Hz, 115 V, 1075 RPM, 3 Speed, 42 Frame, SEMI ENCL



Regal and Century are trademarks of Regal Rexnord Corporation or one of its affiliated companies.
©2024 Regal Rexnord Corporation, All Rights Reserved. MC017097E





Nameplate Specifications

Phase	1	Output HP	1/8,1/12,1/14 Hp
Voltage	115 V	Speed	1075 rpm
Service Factor	1.0	Frame	42
Enclosure	Semi Enclosed	Thermal Protection	Automatic
Ambient Temperature	40 °C	Frequency	60 Hz
Current	2.5,1.6,1.3 A	Duty	Continuous Air Over
Insulation Class	B	UL	Recognized
CSA	Y	CE	N
Number of Speeds	3		

Technical Specifications

Electrical Type	Permanent Split Capacitor	Starting Method	Across The Line
Poles	6	Rotation	Reversible
Mounting	Resilient Rings	Drive End Bearing	Ball
Opp Drive End Bearing	Ball	Frame Material	Rolled Steel
Shaft Type	Flat	Frame Length	3.83 in
Shaft Diameter	0.500 in	Shaft Extension	6.5 in
Outline Drawing	71870436R		

This is an uncontrolled document once printed or downloaded and is subject to change without notice. Date Created:07/03/2024

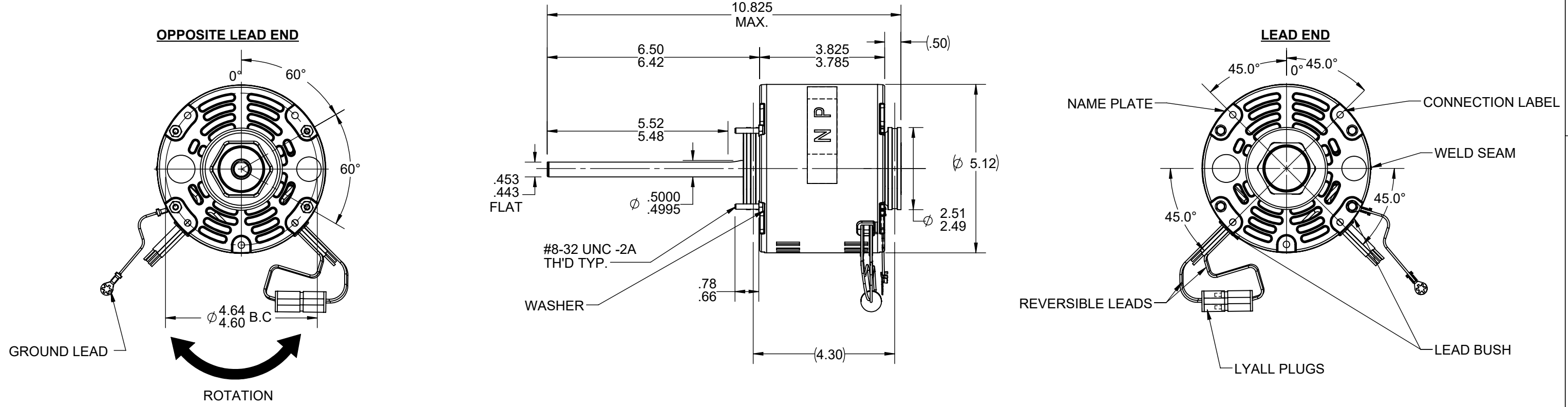
4				3			2			1	
S.NO	CONNECTION	COLOR	EXIT TYPE	EXIT LOC (VIEWING LE)	GAGE	MATERIAL	WALL THK.	LENGTH (+/-1.50)	TERMINATION	VENTILATION SYSTEM	
1	COMMON LEAD	WHITE	LEAD BUSH	4:30	18	XLPE	4/64	24.0	.50 BWS	SHELL VENTS	PARTIAL OPEN
2	CAPACITOR LEAD	BROWN	LEAD BUSH	7:30	18	XLPE	4/64	24.0	0.25 SQC	ENDSHIELD(OPP.LEAD END)	OPEN
3	CAPACITOR LEAD	BRN/WHT	LEAD BUSH	7:30	18	XLPE	4/64	24.0	0.25 SQC	ENDSHIELD(LEAD END)	OPEN
4	HIGH SPEED LEAD	BLACK	LEAD BUSH	4:30	18	XLPE	4/64	24.0	.50 BWS		
5	MEDIUM SPEED LEAD	BLUE	LEAD BUSH	4:30	18	XLPE	4/64	24.0	.50 BWS		
6	LOW SPEED LEAD	RED	LEAD BUSH	4:30	18	XLPE	4/64	24.0	.50 BWS		
7	REVERSIBLE LEAD	YELLOW	LEAD BUSH	7:30	18	XLPE	2/64	3.5	LYALL PLUG (MALE)		
8	REVERSIBLE LEAD	ORANGE									
9	REVERSIBLE LEAD	ORANGE	LEAD BUSH	7:30	18	XLPE	2/64	2.5	LYALL PLUG(FEMALE)		
10	REVERSIBLE LEAD	YELLOW									
11	GROUND LEAD	GRN/YEL	CLAMP SCREW	4:00	16	THERMOPLASTIC	2/64	7.0	# 10 SERR EYELET		

B

B

A

A



NOTE:
 1.NAMEPLATE LABEL LOCATION: 315 ° -CENTER - READ FROM LE WITH RESPECT TO MOTOR ZERO.
 2.MOTOR SHIPPED CONNECTED FOR CWLE ROTATION.
 3.OVERLOAD PROTECTOR : AUTOMATIC RESET (7AM036)

NAMEPLATE DATA	
MODEL	71870436
CUST P/N	9644A
HP	1/8-1/12-1/14
RPM	1075
VOLTS	115
HZ	60
SPEED	3
AMPS	2.5-1.6-1.3
CAP REQ'D_1	5/370
CAP REQ'D_2	N/R
CONN. DWG	NP24X350526
ROTATION	REVERSIBLE

DRAWING REVISION	REVISION BY	REV DATE/© DATE
AB	GPK	05/08/2024
REQUEST NUMBER	APPROVED BY	DATE
ECR-0233790	Muralidar	05/08/2024
REQUEST NUMBER DESCRIPTION		
REMOVED SUFFIX R FROM NP DATA AS PER ECR		
<small>COPYRIGHT (PER REVISION DATE) REGAL BELOIT AMERICA, INC. ALL RIGHTS RESERVED. PROPRIETARY AND CONFIDENTIAL INFORMATION - THIS DOCUMENT IS THE PROPERTY OF REGAL BELOIT AMERICA, INC. ("OWNER") AND CONTAINS OWNER'S PROPRIETARY INFORMATION. ANY PERSON, CORPORATION OR OTHER FIRM RECEIVING IT IS DEEMED, BY RECEIVING IT, TO AGREE THAT IT, AND/OR ANY PART OF IT, SHALL NOT BE DISCLOSED TO ANY PERSON, CORPORATION OR OTHER ENTITY, DUPLICATED, AND/OR USED, EXCEPT AS EXPRESSLY APPROVED IN WRITING IN ADVANCE BY OWNER. THIS DOCUMENT SHALL BE RETURNED TO OWNER UPON REQUEST. IT MAY BE SUBJECT TO CERTAIN RESTRICTIONS UNDER APPLICABLE EXPORT CONTROL LAWS AND REGULATIONS.</small>		

PRIMARY DIMENSIONS ARE INCH
 mm DIMENSIONS IN [BRACKETS]
 ARE FOR REFERENCE ONLY

DRAWN BY	DATE	APPROVED BY	DATE	REFERENCE	THIRD ANGLE PROJECTION	SIZE	DRAWING NUMBER	SHEET
Muralidar	5/15/2023	TSRK	5/16/2023			B	71870436R	1 OF 1
Regal Rexnord		Regal Beloit America, Inc.		DESCRIPTION		OUTLINE		
		CUSTOMER NAME: DISTRIBUTION SERVICES		MATERIAL		PROCESS/FINISH		

4

3

2

1