

PRODUCT INFORMATION PACKET



Model No: 954
Catalog No: 954

OEM Replacement Motor, 1/30, 1/150, 1/200 HP, 1 Ph, 60 Hz, 115 V, 1100 RPM, 3 Speed, 42 Frame, OAO



Regal and Century are trademarks of Regal Rexnord Corporation or one of its affiliated companies.
©2023 Regal Rexnord Corporation, All Rights Reserved. MC017097E





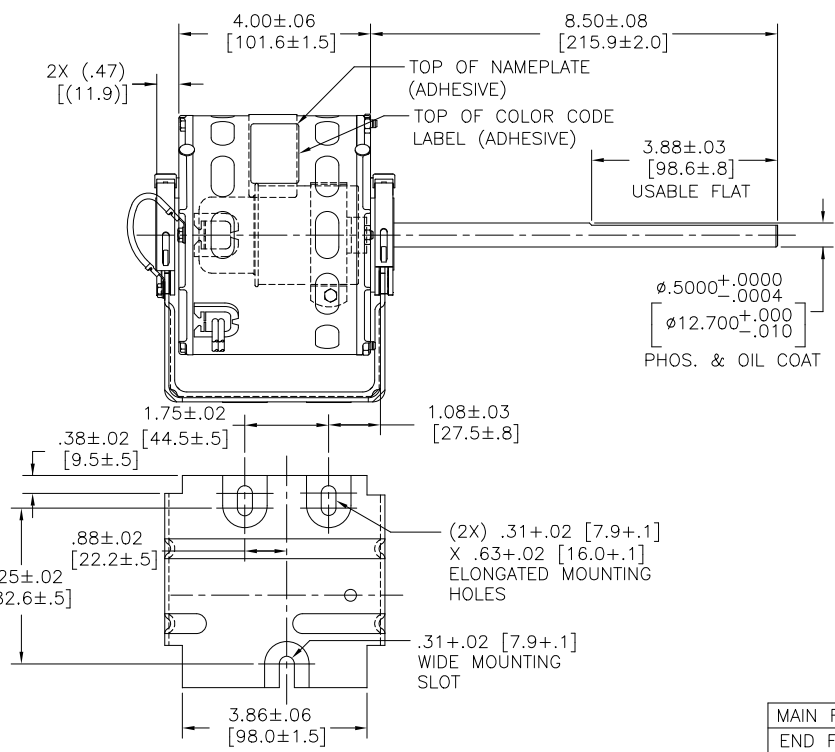
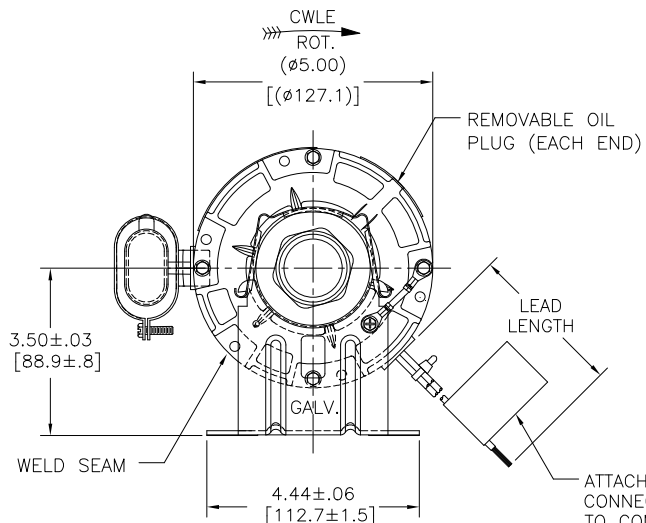
Nameplate Specifications

Phase	1	Output HP	1/30, 1/150, 1/200 Hp
Output KW	0.02 kW	Voltage	115 V
Speed	1100 rpm	Service Factor	1
Frame	42	Enclosure	Open Air Over
Thermal Protection	Thermally Protected	Ambient Temperature	40 °C
Frequency	60 Hz	Current	.60 A
Duty	Continuous Air Over	Insulation Class	B
UL	Recognized	CSA	Y
CE	N	Number of Speeds	3

Technical Specifications

Electrical Type	Permanent Split Capacitor	Starting Method	Across The Line
Poles	6	Rotation	Counterclockwise Shaft End
Mounting	Resilient Base	Motor Orientation	Horizontal
Drive End Bearing	Sleeve	Opp Drive End Bearing	Sleeve
Frame Material	Rolled Steel	Shaft Type	Flat
Overall Length	12.49 in	Frame Length	3.42 in
Shaft Diameter	0.500 in	Shaft Extension	8 1/2 in
Outline Drawing	954-S01		

This is an uncontrolled document once printed or downloaded and is subject to change without notice. Date Created:06/07/2023



GENERAL INFORMATION:

SHAFT RUNOUT: .001 [.025] T.I.R. PER INCH LENGTH OF EXTENSION
 END PLAY: .005 TO .040 [.13 TO 1.02]
 BEARINGS: SLEEVE
 MOUNTING POSITION: HORIZONTAL

ELECTRICAL DATA:

OVERLOAD PROTECTOR: AUTOMATIC RESET (SESATA 7AM 093)
 LEADS: NO. 18 GA., .06 [1.5] THK. XLP 125°C INSUL.
 GROUND LEAD: NO. 16 GA., .03 [.8] THK. (GREEN/YELLOW INSUL.)

NAMEPLATE DATA:

Century™ ELECTRICAL PRODUCTS COMPANY TIPP CITY, OHIO THERMALLY PROTECTED

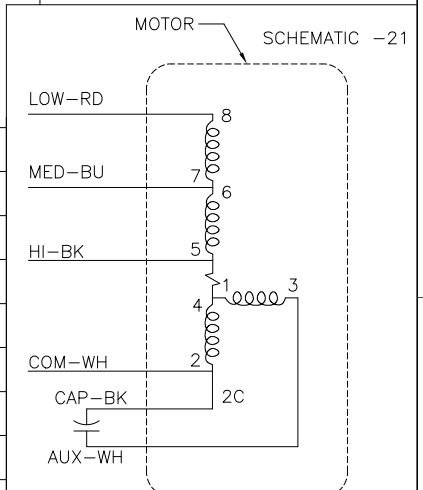
SER. DATE & PO# PLT LTR MOD DE3D452N* STK. NO. 954
 VOLTS 115 HZ 60 AMPS
 RPM 1100 SP 3 PH 1 CAP 5 MFD/370 VAC
 INS CL B AMB 40 °C HP CONT AO → ROTATION →
 BRG SLV ASSEMBLED IN MEXICO

63T7452-6
 COLOR CODE LABEL
 BK-HI 0.6A 1/30HP
 BU-MED 0.2A 1/50HP
 RED-LO 0.2A 1/200HP
 WH-COM

GREEN/YELLOW (GROUND)	CONNECTED TO BASE	#10 EYELET
BROWN	CONNECTED TO CAPACITOR	.25 [6.4] FLAG
BROWN	CONNECTED TO CAPACITOR	.25 [6.4] FLAG
RED	39.0/41.0 [991/1041]	.50 [12.7] SKIN
BLUE	39.0/41.0 [991/1041]	.50 [12.7] SKIN
BLACK	39.0/41.0 [991/1041]	.50 [12.7] SKIN
WHITE	39.0/41.0 [991/1041]	.50 [12.7] SKIN
COLOR	LENGTH	TERMINAL OR STRIP LENGTH

LEAD DATA

MAIN FRAME - OLE	OPEN
END FRAME - OLE	OPEN
MAIN FRAME - LE	OPEN
END FRAME - LE	OPEN
ENCLOSURE	



PERFORMANCE CURVE NO.	TORQUE @ 1100 RPM (25°C)	APPROVED SAMPLE	UL COMPONENT		CSA	
			FILE #	CCN #	FILE #	CLASS #
-	21 OZ. IN.	S-9743E	-	-	-	-

DRAWING REVISION: E, ECO, ECR-0224594
 REVISION BY: J. RUPERT, J. RUPERT
 DATE: 03-16-2023, 03-06-2023
 ECO DESCRIPTION: CHANGED TO NEW FORMAT

COPYRIGHT REGAL BELOIT AMERICA, INC. ALL RIGHTS RESERVED. PROPRIETARY AND CONFIDENTIAL INFORMATION - THIS DOCUMENT IS THE PROPERTY OF REGAL BELOIT AMERICA, INC. (OWNER) AND COMPANY OWNER'S PROPRIETARY INFORMATION. ANY PERSON, CORPORATION OR OTHER FIRM RECEIVING IT IS DEMAND, BY RECEIVING IT, TO AGREE THAT IT, AND/OR ANY PART OF IT, SHALL NOT BE DISCLOSED TO ANY PERSON, CORPORATION OR OTHER FIRM WITHOUT THE WRITTEN CONSENT OF REGAL BELOIT AMERICA, INC. AS EXPRESSLY APPROVED IN WRITING IN ADVANCE BY OWNER. THIS DOCUMENT SHALL BE RETURNED TO OWNER UPON REQUEST. IT MAY BE SUBJECT TO CERTAIN RESTRICTIONS UNDER APPLICABLE EXPORT CONTROL LAWS AND REGULATIONS.

DRAWN BY: T. HUANG
 DATE: 08-21-2011
 APPROVED BY: B.C. SHEN
 DATE: 08-21-2011

REGAL™ Regal Beloit America, Inc.
 DESCRIPTION: MODEL-RFHP-42FR OUTLINE
 MATERIAL: - PROCESS/FINISH: -
 SIZE: C DWG NO: 954 SHEET: 1