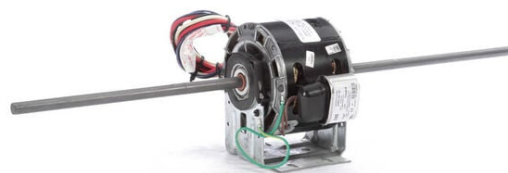


# PRODUCT INFORMATION PACKET



Model No: 953A  
Catalog No: 953A

OEM Replacement Motor, 1/15,1/45,1/60 HP, 1 Ph, 60 Hz, 115 V, 1100 RPM, 3 Speed, 42 Frame, OPEN



Regal and Century are trademarks of Regal Rexnord Corporation or one of its affiliated companies.  
©2024 Regal Rexnord Corporation, All Rights Reserved. MC017097E





**Nameplate Specifications**

Phase	1	Output HP	1/15,1/45,1/60 Hp
Voltage	115 V	Speed	1100 rpm
Service Factor	1.0	Frame	42
Enclosure	Open Enclosed	Thermal Protection	Automatic
Ambient Temperature	40 °C	Frequency	60 Hz
Current	0.83,0.4,0.31 A	Duty	Continuous Air Over
Insulation Class	B	UL	Recognized
CSA	Y	CE	N
Number of Speeds	3		

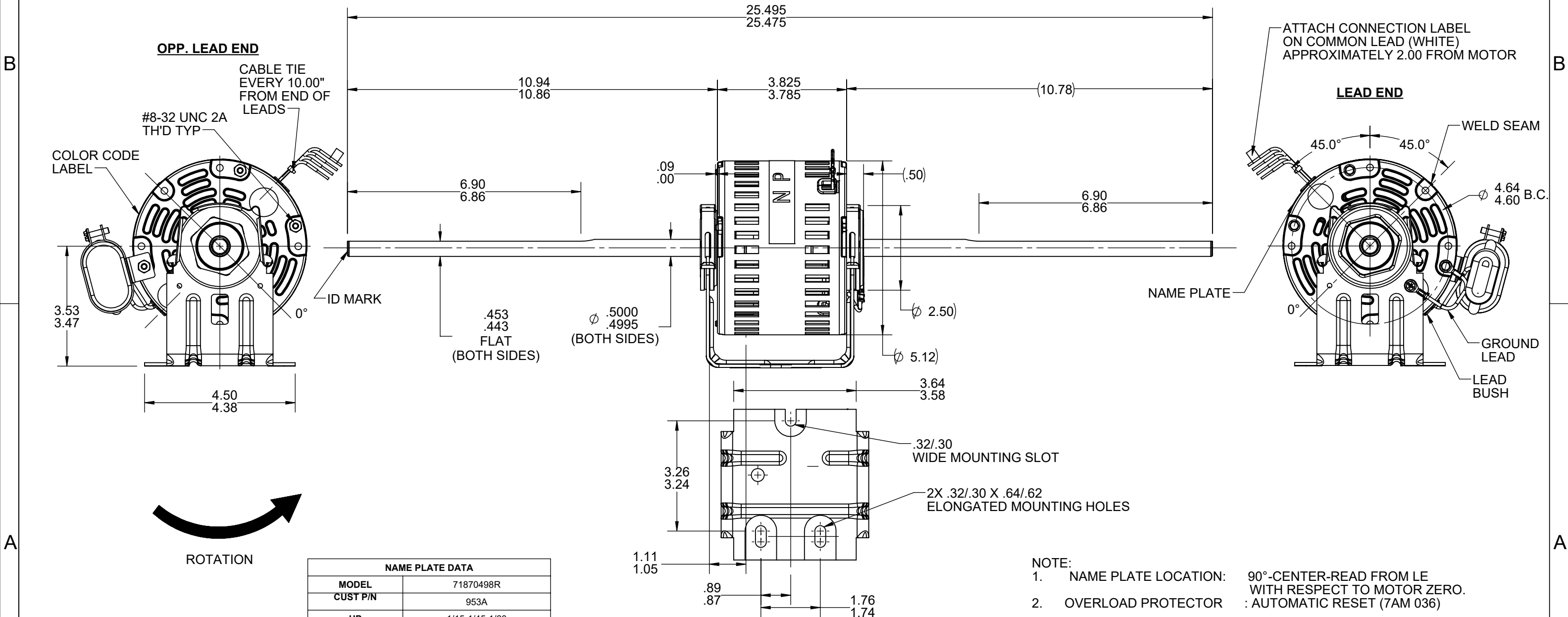
**Technical Specifications**

Electrical Type	Permanent Split Capacitor	Starting Method	Across The Line
Poles	6	Rotation	Clockwise Lead End
Mounting	Resilient Base	Drive End Bearing	Ball
Opp Drive End Bearing	Ball	Frame Material	Rolled Steel
Shaft Type	Flat	Frame Length	3.83 in
Shaft Diameter	0.500 in	Shaft Extension	10.9X.5X10.78 in
Outline Drawing	71870498R		

This is an uncontrolled document once printed or downloaded and is subject to change without notice. Date Created:07/03/2024

S.NO	CONNECTION	COLOR	EXIT TYPE	EXIT LOC (VIEWING LE)	GAGE	MATERIAL	WALL THK.	LENGTH (±1.50)	TERMINATION
1	COMMON LEAD	WHITE	LEAD BUSH	3:00	18	XLPE	4/64	40.00	.50 BWS
2	CAPACITOR LEAD	BROWN	CONNECTED TO CAPACITOR	9:00	18	XLPE	2/64	N/R	.25 FQC
3	CAPACITOR LEAD	BROWN	CONNECTED TO CAPACITOR	9:00	18	XLPE	2/64	N/R	.25 FQC
4	HIGH SPEED LEAD	BLACK	LEAD BUSH	3:00	18	XLPE	4/64	40.00	.50 BWS
5	MEDIUM SPEED LEAD	BLUE	LEAD BUSH	3:00	18	XLPE	4/64	40.00	.50 BWS
6	LOW SPEED LEAD	RED	LEAD BUSH	3:00	18	XLPE	4/64	40.00	.50 BWS
7	GROUND LEAD	GRN/YEL	CLAMP SCREW	8:00	16	THERMOPLASTIC	2/64	6.00	# 10 SERR EYELET

VENTILATION SYSTEM	
SHELL VENTS	OPEN
ENDSHIELD (OPP.LEAD END)	OPEN
ENDSHIELD (LEAD END)	OPEN



NAME PLATE DATA	
MODEL	71870498R
CUST P/N	953A
HP	1/15-1/45-1/60
RPM	1100 (3 SPD)
VOLTS	115
HZ	60
SPEEDS	3
AMPS	0.83 0.40 0.31
CAP REQ D-1	5.0/370
CAP REQ D-1	N/R
CONN. DRW	NP24X327278
ROTATION	CWLE

DRAWING REVISION AA REVISION BY TRSK REV DATE/© DATE 11/23/2023  
 REQUEST NUMBER NMR-0225583 APPROVED BY RS DATE 11/23/2023  
 REQUEST NUMBER DESCRIPTION NP Data updated per NMR-0225583  
 COPYRIGHT (PER REVISION DATE) REGAL BELOIT AMERICA, INC. ALL RIGHTS RESERVED. PROPRIETARY AND CONFIDENTIAL INFORMATION - THIS DOCUMENT IS THE PROPERTY OF REGAL BELOIT AMERICA, INC. ("OWNER") AND CONTAINS OWNER'S PROPRIETARY INFORMATION. ANY PERSON, CORPORATION OR OTHER FIRM RECEIVING IT IS DEEMED, BY RECEIVING IT, TO AGREE THAT IT, AND/OR ANY PART OF IT, SHALL NOT BE DISCLOSED TO ANY PERSON, CORPORATION OR OTHER ENTITY, DUPLICATED, AND/OR USED, EXCEPT AS EXPRESSLY APPROVED IN WRITING IN ADVANCE BY OWNER. THIS DOCUMENT SHALL BE RETURNED TO OWNER UPON REQUEST. IT MAY BE SUBJECT TO CERTAIN RESTRICTIONS UNDER APPLICABLE EXPORT CONTROL LAWS AND REGULATIONS.

PRIMARY DIMENSIONS ARE INCH  
 mm DIMENSIONS IN [BRACKETS]  
 ARE FOR REFERENCE ONLY

DRAWN BY BS  
 DATE 6/1/2023  
 APPROVED BY RS  
 DATE 6/1/2023  
 REFERENCE  
 THIRD ANGLE PROJECTION

**Regal Rexnord** Regal Beloit America, Inc.  
**OUTLINE**  
 CUSTOMER NAME: DISTRIBUTION SERVICE  
 MATERIAL PROCESS/FINISH  
 SIZE B DRAWING NUMBER 71870498R SHEET 1 OF 1

- NOTE:  
 1. NAME PLATE LOCATION: 90°-CENTER-READ FROM LE WITH RESPECT TO MOTOR ZERO.  
 2. OVERLOAD PROTECTOR : AUTOMATIC RESET (7AM 036)





**Motor Details**

<b>Model :</b>	<b>71870498R</b>	<b>Catalog Number :</b>	
<b>General:</b>			
Application :	<b>OTHERS</b>	Motor Category :	<b>COMPLETE MOTOR</b>
Phases :	<b>1</b>	Production Status :	<b>PROD</b>
# of Speeds :	<b>3</b>	Stock Status :	
Testspec :	<b>82870498-1</b>	Approved For Sale :	
Horiz/Vertical :	<b>HOR</b>	Restricted Model :	
Shell Enclosure :	<b>OPEN</b>	Customer :	<b>DISTRIBUTION SERVICE</b>
Endshield Enclosure :	<b>OPEN</b>	Customer Part# :	<b>953A</b>
<b>Nameplate Data:</b>			
Horsepower :	<b>1/15-1/45-1/60</b>	GE Type :	<b>KCP</b>
RPM :	<b>1100 (3 SPD)</b>	Time Rating :	<b>AO</b>
Voltage :	<b>115</b>	Frequency :	<b>60</b>
FL Amps :	<b>0.81 0.40 0.31</b>	Insulation Class:	<b>B</b>
Capacitor 1mFd/V :	<b>5.00/370</b>	Capacitor 2mFd/V :	<b>N/R</b>
Additional Information :	<b>N/R</b>		
	<b>N/R</b>		
<b>Miscellaneous:</b>			
Fullload RPM - HI :	<b>1080</b>	GE Frame :	<b>29</b>
Poles :	<b>6</b>	Shell Length :	<b>3.375</b>
Rotation :	<b>CW</b>	Drains :	<b>N</b>
Thermal Protection :		Est. Weight :	<b>8</b>
Finish Color:	<b>BLACK</b>	Capacitor By :	<b>RBC</b>
<b>OVERLOAD INFORMATION::</b>			
Protector:	<b>24A100514P11</b>	Overload Temp :	<b>150/140</b>
Catalog No:	<b>7AM036A54838C</b>	Vendor Name:	<b>TEXAS INSTRUMENTS</b>
<b>THERMAL CUT-OFF INFORMATION:</b>			
TCO:	<b>N/A</b>	Overload Temp :	<b>N/A</b>
Catalog No:	<b>N/A</b>	Vendor Name:	<b>N/A</b>
<b>U.L.CONSTRUCTION FILES:</b>			
Motor Construction:	<b>E46035(excluding SME)</b>	Class B Insulation :	<b>E306343(excluding SME)</b>
Over Load :	<b>E27885(excluding SME)</b>	CSA(REY) :	<b>MC236833(excluding SME)</b>
<b>Shaft:</b>			
PE Type :	<b>FLAT</b>	OPE Type :	<b>FLAT</b>
PE Length :	<b>10.90</b>	OPE Length :	<b>10.78</b>
PE Diameter :	<b>.5</b>	OPE Diameter :	<b>.5</b>
PE Flat Length :	<b>6.88</b>	OPE Flat Length :	<b>6.88</b>
<b>Endshields:</b>			
PE Material :	<b>AL</b>	OPE Material :	<b>AL</b>
PE Hub Type :	<b>STD</b>	OPE Hub Type :	<b>STD</b>
PE Oiler :	<b>N/R</b>	OPE Oiler :	<b>N/R</b>
PE Oil Plug :	<b>N/R</b>	OPE Oil Plug :	<b>N/R</b>
PE Mounting Holes :	<b>N/R</b>	OPE Mounting Holes :	<b>N/R</b>
<b>Bearings:</b>			
PE Bearing Type :	<b>BALL</b>	OPE Bearing Type :	<b>BALL</b>
Bearing Protection :	<b>No</b>	Rohs Compliant :	<b>Yes</b>
<b>Mounting:</b>			
Base :	<b>RB</b>	Lug :	<b>N/R</b>
Clamp Screw :	<b>Yes</b>	Weld Screw :	<b>No</b>
<b>Base:</b>			
Type :	<b>STD 29</b>	Height :	<b>3.5</b>
Reversed :	<b>N</b>	Assembly Angle :	<b>45 degrees CW from Oil boss viewed from OPE of the motor.</b>
<b>Extended Clamp Screws:</b>			
PE Pattern :		OPE Pattern :	
PE Length :	<b>0.09</b>	OPE Length :	<b>0</b>
PE Nut Qty :	<b>1</b>	OPE Nut Qty :	<b>0</b>
Head End :	<b>OPE</b>	Screw Size :	<b>#8</b>
Nut Thickness :	<b>.12</b>		
<b>Lead &amp; Cord :</b>			
Lead End :	<b>OPE</b>	Lead Type :	<b>SINGLE COND</b>
Lead Exit H/W :	<b>NYLON GROMMET</b>	Lead Harness Desc :	<b>N/R</b>
Lead Exit H/W Orient. :	<b>N/R</b>		
Conductor ID :	<b>COMM-FIXED LINE</b>		
Exit :	<b>3:00 - NYLON GROMMET</b>	Length :	<b>40</b>
Color :	<b>WHITE</b>	Mat'I Spec :	<b>18 4/64 XLPE</b>
Termination :	<b>.50 BWS</b>	Slot ID :	<b>N/A</b>
Conductor ID :	<b>CAPACITOR</b>		

Exit :	<b>9:00 - NYLON GROMMET</b>	Length :	<b>0</b>
Color :	<b>BROWN</b>	Mat'I Spec :	<b>18 2/64 XLPE</b>
Termination :	<b>.25 FQC</b>	Slot ID :	<b>N/A</b>
Conductor ID :	<b>CAPACITOR</b>		
Exit :	<b>9:00 - NYLON GROMMET</b>	Length :	<b>0</b>
Color :	<b>BROWN</b>	Mat'I Spec :	<b>18 2/64 XLPE</b>
Termination :	<b>.25 FQC</b>	Slot ID :	<b>N/A</b>

**Note :** Exit position is viewed from the Lead End with the Shell Weld at 6:00.

**Grounding :**

Type :	<b>BASE</b>	Location :	<b>8:00</b> viewed from <b>OPE</b> with Oil boss at 12:00
Exit Type :	<b>CLAMPSCREW</b>	AWG Size :	<b>16</b>
Length :	<b>6.00</b>	Color :	<b>GRN-YEL</b>
Terminal :	<b>#10 SERRATED EYELET</b>	Ins.Material & Thickness	<b>2/64 THRMOPLAST</b>

**Diagrams and Dimensions :**

Outline Drawing :	<b>71870498R</b>	C-Dimension :	<b>24.48</b>
Connection Diagram :	<b>24B200217 Fig# 2</b>	Connection Label :	<b>NP24X327278</b>

**Notes :**

**This document is the property of the Regal Beloit Company containing proprietary and confidential information.**

Date of last revision : **29-NOV-23**

