

PRODUCT INFORMATION PACKET



Model No: 9474A

Catalog No: 9474A

Fan Coil & Air Conditioner Motor, 1/15,1/20,1/25,1/35 HP, 1 Ph, 60 Hz, 115 V, 1075 RPM, 4 Speed,
42 Frame, OAO



Regal and Century are trademarks of Regal Rexnord Corporation or one of its affiliated companies.
©2024 Regal Rexnord Corporation, All Rights Reserved. MC017097E





Nameplate Specifications

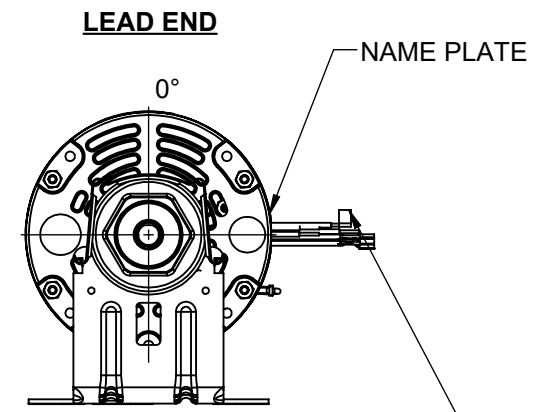
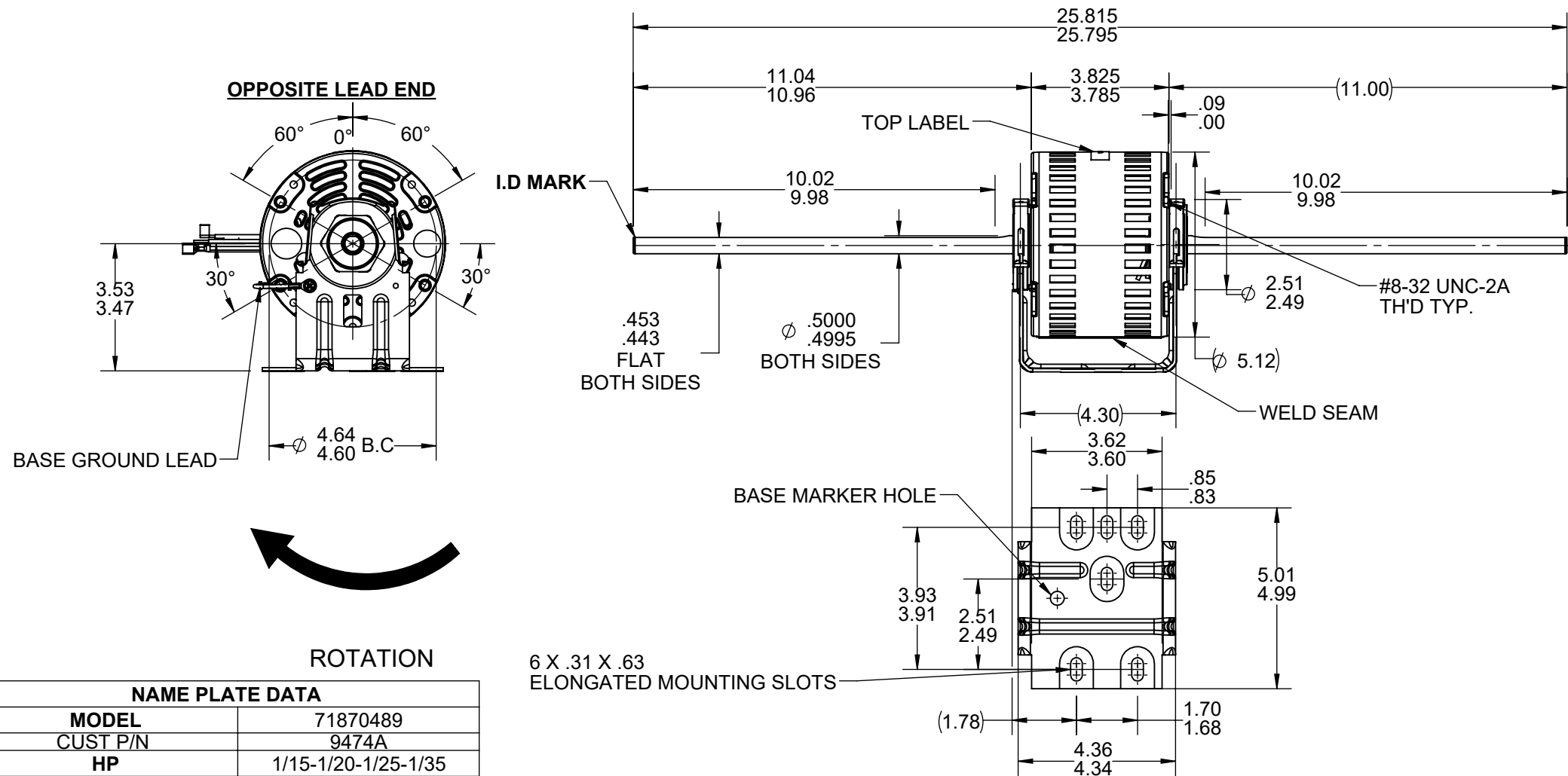
Phase	1	Output HP	1/15,1/20,1/25,1/35 Hp
Voltage	115 V	Speed	1075 rpm
Service Factor	1.0	Frame	42
Enclosure	Open Air Over	Thermal Protection	Automatic
Ambient Temperature	40 °C	Frequency	60 Hz
Current	1.35,1.0,0.75,0.85 A	Duty	Continuous Air Over
Insulation Class	B	UL	Recognized
CSA	Y	CE	N
Number of Speeds	4		

Technical Specifications

Electrical Type	Permanent Split Capacitor	Starting Method	Across The Line
Poles	6	Rotation	Counterclockwise Lead End
Mounting	Resilient Base	Drive End Bearing	Ball
Opp Drive End Bearing	Ball	Frame Material	Rolled Steel
Shaft Type	Flat	Frame Length	3.83 in
Shaft Diameter	0.500 in	Shaft Extension	11X.5X11 in
Outline Drawing	71870489R		

This is an uncontrolled document once printed or downloaded and is subject to change without notice. Date Created:07/03/2024

4										3			2		1	
S.NO	CONNECTION	COLOR	EXIT TYPE	EXIT LOC (VIEWING LE)	GAGE	MATERIAL	WALL THK.	LENGTH (± 1.50)	TERMINATION	VENTILATION SYSTEM						
1	COMMON LEAD	YELLOW	SHELL NOTCH	3:00	18	XLPE	2/64	24.0	.50 BWS	SHELL VENTS	OPEN					
2	CAPACITOR LEAD	BROWN	SHELL NOTCH	3:00	18	XLPE	2/64	24.0	0.25 SQC	ENDSHIELD(OPP.LEAD END)	OPEN					
3	CAPACITOR LEAD	BRN/WHT	SHELL NOTCH	3:00	18	XLPE	2/64	24.0	0.25 SQC	ENDSHIELD(LEAD END)	OPEN					
4	HIGH SPEED LEAD	BLACK	SHELL NOTCH	3:00	18	XLPE	2/64	24.0	.50 BWS							
5	MEDIUM HIGH SPEED LEAD	PURPLE	SHELL NOTCH	3:00	18	XLPE	2/64	24.0	.50 BWS							
6	MEDIUM LOW SPEED LEAD	ORANGE	SHELL NOTCH	3:00	18	XLPE	2/64	24.0	.50 BWS							
7	LOW SPEED LEAD	RED	SHELL NOTCH	3:00	18	XLPE	2/64	24.0	.50 BWS							
8	BASE GROUND LEAD	GRN/YEL	CLAMPSCREW	4:00	16	THERMOPLASTIC	2/64	5.0	# 10 EYELET							



NAME PLATE DATA	
MODEL	71870489
CUST P/N	9474A
HP	1/15-1/20-1/25-1/35
RPM	1075 (4 SPD)
VOLTS	115
HZ	60
SPEEDS	4
AMPS	1.35 1.00 0.85 0.75
CAP REQ D-1	5.0/370
CAP REQ D-2	N/R
CONN. DRW	NP24X350529
ROTATION	CCWLE

- NOTE:
- NAMEPLATE LABEL LOCATION: 90 ° -CENTER - READ FROM LE WITH RESPECT TO MOTOR ZERO
 - OVERLOAD PROTECTOR : AUTOMATIC RESET (7AM 036)

DRAWING REVISION AC	REVISION BY SURYA	REV DATE/© DATE 5/8/2024	DRAWN BY Muralidar	Regal Beloit America, Inc.
REQUEST NUMBER ECR-0233789	APPROVED BY Muralidar	DATE 5/8/2024	DATE 5/22/2023	
REQUEST NUMBER DESCRIPTION REMOVED SUFFIX R FROM NAME PLATE DETAILS			APPROVED BY TSRK	DESCRIPTION OUTLINE
<small>COPYRIGHT (PER REVISION DATE) REGAL BELOIT AMERICA, INC. ALL RIGHTS RESERVED. PROPRIETARY AND CONFIDENTIAL INFORMATION - THIS DOCUMENT IS THE PROPERTY OF REGAL BELOIT AMERICA, INC. ("OWNER") AND CONTAINS OWNER'S PROPRIETARY INFORMATION. ANY PERSON, CORPORATION OR OTHER FIRM RECEIVING IT IS DEEMED, BY RECEIVING IT, TO AGREE THAT IT, AND/OR ANY PART OF IT, SHALL NOT BE DISCLOSED TO ANY PERSON, CORPORATION OR OTHER ENTITY, DUPLICATED, AND/OR USED, EXCEPT AS EXPRESSLY APPROVED IN WRITING IN ADVANCE BY OWNER. THIS DOCUMENT SHALL BE RETURNED TO OWNER UPON REQUEST. IT MAY BE SUBJECT TO CERTAIN RESTRICTIONS UNDER APPLICABLE EXPORT CONTROL LAWS AND REGULATIONS.</small>			DATE 5/23/2023	CUSTOMER NAME: DISTRIBUTION SERVICES
PRIMARY DIMENSIONS ARE INCH mm DIMENSIONS IN [BRACKETS] ARE FOR REFERENCE ONLY			REFERENCE	MATERIAL
			THIRD ANGLE PROJECTION	PROCESS/FINISH
			SIZE B	DRAWING NUMBER 71870489R
				SHEET 1 OF 1