

PRODUCT INFORMATION PACKET



Model No: 9406A

Catalog No: 9406A

OEM Replacement Motor, 3/4,1/2,1/3 HP, 1 Ph, 60 Hz, 208-230 V, 1075 RPM, 3 Speed, 48 Frame, OPEN



Regal and Century are trademarks of Regal Rexnord Corporation or one of its affiliated companies.
©2022 Regal Rexnord Corporation, All Rights Reserved. MC017097E





Nameplate Specifications

Output HP	3/4,1/2,1/3 Hp	Output KW	0.56 kW
Frequency	60 Hz	Voltage	208-230 V
Current	6.6,3.7,2.5 A	Speed	1075 rpm
Service Factor	1	Phase	1
Duty	Air Over	Insulation Class	B
Frame	48Y	Enclosure	Open Enclosed
Thermal Protection	Automatic	Ambient Temperature	40 °C
UL	Recognized	CSA	Y
CE	N	Number of Speeds	3

Technical Specifications

Electrical Type	Permanent Split Capacitor	Starting Method	Across The Line
Poles	6	Rotation	Counterclockwise Lead End
Mounting	Resilient Base	Motor Orientation	Any
Drive End Bearing	Ball	Opp Drive End Bearing	Ball
Frame Material	Rolled Steel	Shaft Type	Flat
Overall Length	18.00 in	Frame Length	5.63 in
Shaft Diameter	0.625 in	Shaft Extension	6.5 X .6 X 5.3 in
Connection Drawing	614131-366	Outline Drawing	9406A-S01

This is an uncontrolled document once printed or downloaded and is subject to change without notice. Date Created:11/28/2022

4

3

2

1

GENERAL INFORMATION:

SHAFT RUNOUT: .001 [.03] T.I.R. PER INCH LENGTH OF EXTENSION

BEARINGS: BALL

MOUNTING POSITION: ALL ANGLE

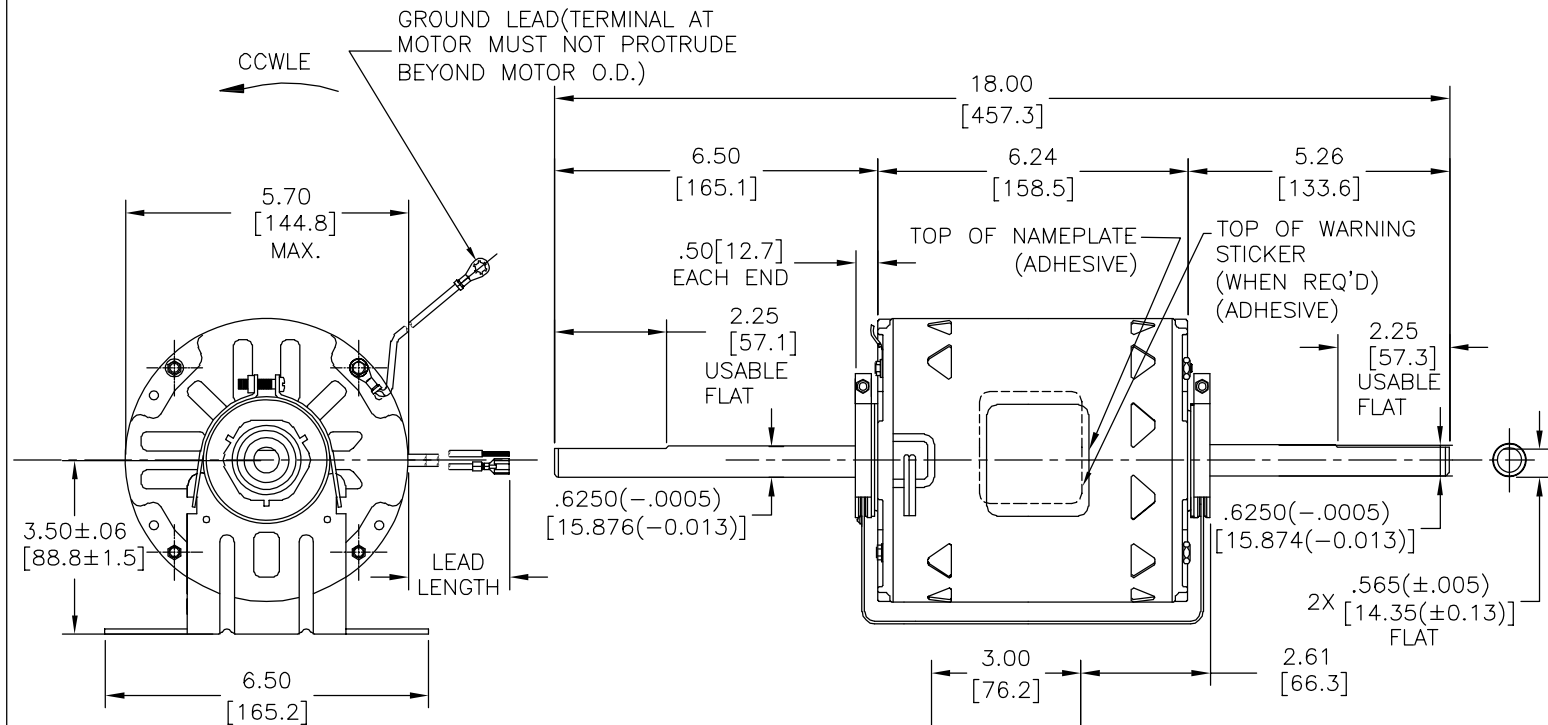
ELECTRICAL DATA:

OVERLOAD PROTECTOR: AUTOMATIC RESET (SENSATA 7AM 036)

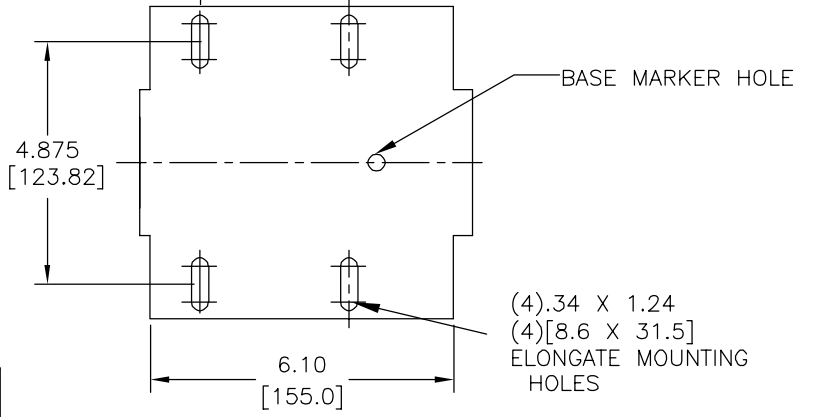
LEADS: NO. 18 GA., .06 [1.5] THK. PVC 105°C INSUL.

GROUND LEAD: NO. 18 GA., .03 [.8] THK. GRN/YEL. INSUL.

REV	ECO	REV BY	DATE	APPD	DATE
E	ECO-0037561	Y.LIU	08-28-2013	B.SHEN	08-28-2013



NAMEPLATE DATA:	EXTERNAL CONNECTION DIAGRAM	
MODEL NO.: F48Z34A01 CUST. P/N: 9406A HP: 3/4-1/2-1/3 ROT.: CCWLE. RPM: 1075/3 SPD TYPE: UF FRAME: 48Y VOLTS: 208-230 PH: 1 AMPS: 6.6-3.7-2.5 HZ: 60 INS.: B AMB.: 40°C DUTY: AIR OVER CAP.: 10 MFD/370 V ENCL: OPEN UL LOGO CSA LOGO THERMALLY PROTECTED		
614131-366		
PERFORMANCE CURVE NO. C32718	TORQUE @1075 RPM (25°C) 82.3 OZ. FT.	APPROVED SAMPLE 0604220A
UL COMPONENT FILE # E46412		CCN # PRGY2
CSA FILE # LR43341		CLASS # 4211-01
GRN/YEL (GRD)	11.0/13.0 [279/330]	#10 EYELET
PURPLE	13.0/15.0 [330/381]	.25 [6.4] FEMALE SPADE
PURPLE	13.0/15.0 [330/381]	.25 [6.4] FEMALE SPADE
ORANGE	53.0/55.0 [1346/1397]	.50 [12.7] LEAD STRIP
BLACK	53.0/55.0 [1346/1397]	.50 [12.7] LEAD STRIP
YELLOW	53.0/55.0 [1346/1397]	.50 [12.7] LEAD STRIP
RED	53.0/55.0 [1346/1397]	.50 [12.7] LEAD STRIP
COLOR	LENGTH	TERMINAL OR STRIP LENGTH



MAIN FRAME - OLE	OPEN
END FRAME - OLE	OPEN
MAIN FRAME - LE	OPEN
END FRAME - LE	OPEN

CUSTOMER	DIST. SERVICES
----------	----------------

D

C

B

A

GEOMETRIC CHARACTERISTICS & SYMBOLS
 □ FLATNESS
 - STRAIGHTNESS
 < ANGLARITY
 ⊥ PERPENDICULARITY (SQUARENESS)
 // PARALLELISM
 ○ ROUNDNESS (CIRCULARITY)
 ∅ CYLINDRICITY
 △ PROFILE OF ANY SURFACE
 ∩ PROFILE OF ANY LINE
 ↗ RUNOUT
 ⊕ TRUE POSITION
 ⊙ CONCENTRICITY
 = SYMMETRY
 ASME Y14.5M 1994

REGAL-BELOIT CORPORATION (RBC) PROVIDES TECHNICAL ASSISTANCE TO OUR CUSTOMERS IN SEVERAL AREAS. SINCE RBC DOES NOT RECEIVE ALL DATA CONCERNING THE USE AND APPLICATION OF THE MOTOR, THE SUITABILITY OF THE MOTOR FOR THE APPLICATION MUST BE DETERMINED BY THE CUSTOMER.
 DIMENSIONS WITHOUT TOLERANCES ARE FOR REFERENCE ONLY.

DR BY: AMY 06-20-2007
 APPD:
 THIRD ANGLE PROJECTION
 EDS DATE 11-11-2011
 FORMAT REV H
 CONFIDENTIAL: THIS DRAWING AND ITS INFORMATION ARE THE EXCLUSIVE AND CONFIDENTIAL PROPERTY OF REGAL-BELOIT CORPORATION AND ARE NOT TO BE DISCLOSED, DUPLICATED, DISTRIBUTED OR OTHERWISE USED WITHOUT THE WRITTEN CONSENT OF REGAL-BELOIT CORPORATION. -ALL RIGHTS RESERVED.

REGAL REGAL-BELOIT CORPORATION
 DESCRIPTION: MODEL-RFHP-48FR OUTLINE
 SIZE: C DWG NO: 9406A
 SCALE: NONE SHEET: 1

4

3

2

1