

# PRODUCT INFORMATION PACKET



Model No: 7FD6001A  
Catalog No: 7FD6001A  
3/4-1/5 HP Fan & Blower Motor, 1075 RPM, 4 Speed, 277 Volts, 48 Frame, OAO

Fan and Blower Motors



Regal and Century are trademarks of Regal Rexnord Corporation or one of its affiliated companies.  
©2022 Regal Rexnord Corporation, All Rights Reserved. MC017097E





**Nameplate Specifications**

Output HP	<b>3/4-1/5 Hp</b>	Output KW	<b>0.56 kW</b>
Frequency	<b>60 Hz</b>	Voltage	<b>277 V</b>
Current	<b>3.6 A</b>	Speed	<b>1075 rpm</b>
Service Factor	<b>1</b>	Phase	<b>1</b>
Duty	<b>Continuous Air Over</b>	Insulation Class	<b>B</b>
Frame	<b>48Y</b>	Enclosure	<b>Open Air Over</b>
Thermal Protection	<b>Automatic</b>	Ambient Temperature	<b>40 °C</b>
UL	<b>Recognized</b>	CSA	<b>Y</b>
CE	<b>N</b>	Number of Speeds	<b>4</b>

**Technical Specifications**

Electrical Type	<b>Permanent Split Capacitor</b>	Starting Method	<b>Across The Line</b>
Poles	<b>6</b>	Rotation	<b>Reversible</b>
Mounting	<b>Resilient Ring/Extended Studs</b>	Motor Orientation	<b>Horizontal</b>
Drive End Bearing	<b>Ball</b>	Opp Drive End Bearing	<b>Ball</b>
Frame Material	<b>Rolled Steel</b>	Shaft Type	<b>Flat</b>
Overall Length	<b>10.36 in</b>	Frame Length	<b>4.86 in</b>
Shaft Diameter	<b>0.500 in</b>	Shaft Extension	<b>5.0 in</b>
Outline Drawing	<b>7FD6001A-S01</b>	Connection Drawing	<b>614131-265</b>

This is an uncontrolled document once printed or downloaded and is subject to change without notice. Date Created:01/18/2022

GENERAL INFORMATION:

SHAFT RUNOUT: .001[.03] T.I.R. PER INCH LENGTH OF EXTENSION

BEARINGS: BALL

MOUNTING POSITION: HORIZONTAL

ELECTRICAL DATA:

OVERLOAD PROTECTOR: AUTOMATIC RESET (SENSATA 7AM 036)

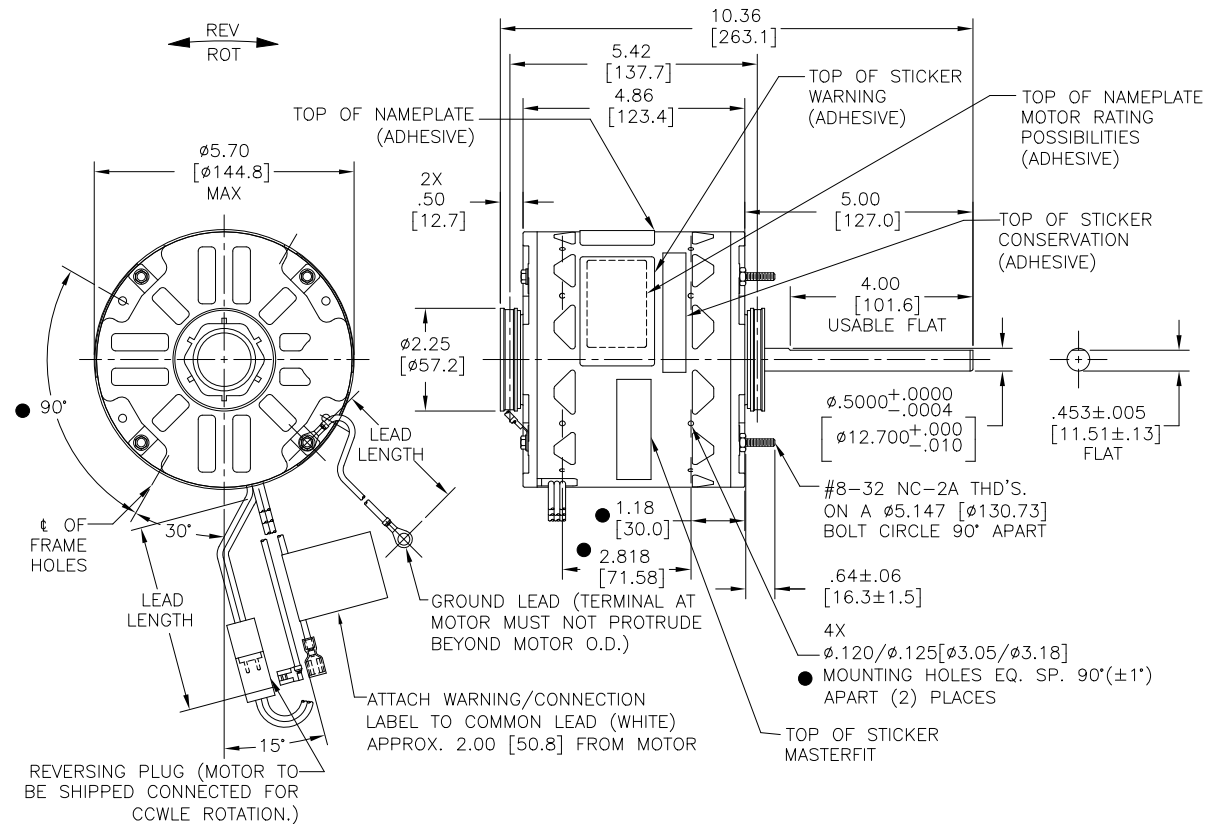
LINE LEADS: NO. 18 GA., .03 [.8] THK. XLP 125°C INSUL.

REVERSING PLUGS: NO. 18 GA., .03 [.8] THK. XLP 125°C INSUL.

GROUND LEAD: NO. 18 GA., .03 [.8] THK. (GREEN) INSUL.

NOTES:

1. DENOTES CRITICAL CHARACTERISTICS.
2. (4) SPLIT RING ADAPTOR 615035, (OR 53P26-1 ONLY USED IN MEXICO)
- (8) SCREWS 615982-001, (1) 2518746-001 CLAMP AND ADD QTY 1 2509074-001 CAPACITOR TO BE PUT IN A POLYBAG & BE PACKED WITH EACH MOTOR.



NAMEPLATE DATA:	EXTERNAL CONNECTION DIAGRAM
MODEL NO.: F48AE77A01 CUST. P/N: 7FD6001A HP: 3/4-1/5 ROT.: REVERSIBLE RPM: 1075/4 SPD. TYPE: UF FRAME: 48Y VOLTS: 277 PH: 1 AMPS: 3.6 MAX. HZ: 60 INS.: B AMB.: 40° C DUTY: AIR OVER CAP.: 10 OR 5 MFD/370V ENCL: OPEN UL LOGO CSA LOGO THERMALLY PROTECTED	<p>BROWN SEP. CAP.</p> <p>BRN/WHT</p> <p>WHITE</p> <p>BLACK HI</p> <p>BLUE MH</p> <p>YELLOW ML</p> <p>RED LO</p> <p>ROTATION</p> <p>BLACK CCWLE</p> <p>WHITE CWLE</p> <p>BLACK WHITE</p> <p>WHITE BLACK</p> <p>614131-265</p>

PERFORMANCE CURVE NO.	TORQUE @1075 RPM (25°C)	APPROVED SAMPLE	UL COMPONENT	CSA		
			FILE #	CCN #	FILE #	CLASS #
C0000687	57.8 OZ. FT.	X-0004024	E46412	PRGY2	LR43341	4211-01

GREEN (GROUND)	9.0/11.0 [229/279]	.25 [6.4] RING
BLACK/WHITE	3.0/5.0 [76/127]	REVERSING PLUG
BROWN	36.5/39.5 [927/1003]	.25 [6.4] FLAG
BROWN/WHITE	36.5/39.5 [927/1003]	.25 [6.4] FLAG
RED	36.5/39.5 [927/1003]	.25 [6.4] PRE-INSUL. FEMALE SPADE
YELLOW	36.5/39.5 [927/1003]	.25 [6.4] PRE-INSUL. FEMALE SPADE
BLUE	36.5/39.5 [927/1003]	.25 [6.4] PRE-INSUL. FEMALE SPADE
BLACK	36.5/39.5 [927/1003]	.25 [6.4] PRE-INSUL. FEMALE SPADE
WHITE	36.5/39.5 [927/1003]	.25 [6.4] PRE-INSUL. FEMALE SPADE
COLOR	LENGTH	TERMINAL OR STRIP LENGTH

REGAL-BELOIT CORPORATION (RBC) PROVIDES TECHNICAL ASSISTANCE TO OUR CUSTOMERS IN SEVERAL AREAS. SINCE RBC DOES NOT RECEIVE ALL DATA CONCERNING THE USE AND APPLICATION OF THE MOTOR, THE SUITABILITY OF THE MOTOR FOR THE APPLICATION MUST BE DETERMINED BY THE CUSTOMER.

DIMENSIONS WITHOUT TOLERANCES ARE FOR REFERENCE ONLY.

MAIN FRAME - OLE	OPEN
END FRAME - OLE	OPEN
MAIN FRAME - LE	OPEN
END FRAME - LE	OPEN

CUSTOMER	DISTRIBUTION SERVICE

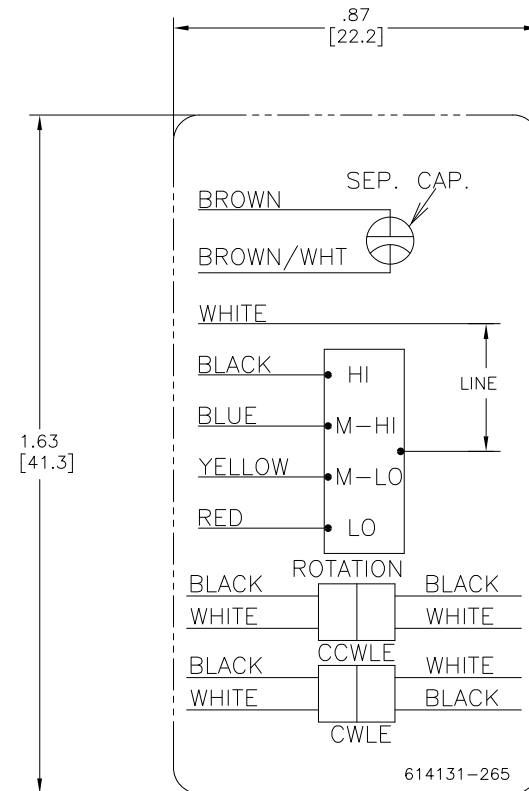
LEAD DATA		
DRAWING REVISION	REVISION BY	DATE
E	J. RUPERT	09-23-2021
ECO	APPROVED BY	DATE
NMR-0210577	J. RUPERT	09-23-2021
ECO DESCRIPTION		
CORRECTED TERMINALS & REVISED		
<small>COPYRIGHT REGAL-BELOIT AMERICA, INC. ALL RIGHTS RESERVED. PROPRIETARY AND CONFIDENTIAL INFORMATION - THIS DOCUMENT IS THE PROPERTY OF REGAL-BELOIT AMERICA, INC. (OWNER) AND CONTAINS OWNER'S PROPRIETARY INFORMATION. ANY PERSON, CORPORATION OR OTHER ENTITY, DUPLICATED, AND/OR USED, EXCEPT AS EXPRESSLY APPROVED IN WRITING IN ADVANCE BY OWNER, THIS DOCUMENT SHALL BE RETURNED TO OWNER UPON REQUEST. IT MAY BE SUBJECT TO CERTAIN RESTRICTIONS UNDER APPLICABLE EXPORT CONTROL LAWS AND REGULATIONS.</small>		

ENCLOSURE		DRAWN BY:	
		Y.LIU	
		DATE:	05-30-2011
		APPROVED BY:	M.H.E
		DATE:	05-30-2011
		REFERENCE	
		THIRD ANGLE PROJECTION	
		SIZE	DWG NO
		C	7FD6001A
			SHEET 1

**REGAL**™ Regal Beloit America, Inc.

DESCRIPTION: MODEL-RFHP-48FR OUTLINE

MATERIAL: - PROCESS/FINISH: -



- NOTES:
1. FOR USE WITH 614129 NAMEPLATE BLANK
  2. ———— INDICATES DIMENSION LIMITS
  3. DIE TO BE MADE FROM MASTER SUPPLIED BY REGAL
  4. DIE MUST PRODUCE A LEGIBLE IMPRESSION.

DRAWING REVISION F		REVISION BY J. RUPERT	DATE 09-23-2021	TOLERANCES UNLESS OTHERWISE SPECIFIED		DRAWN BY: JZ		Regal Beloit America, Inc.			
ECO NMR-0210577		APPROVED BY J. RUPERT	DATE 09-23-2021	DEC.	INCH	mm	ANGLE			DATE: 03-31-2011	
ECO DESCRIPTION REVISED FOR UP ISSUE				.X	±0.1	[±2.5]	±0.5°	APPROVED BY: CZ	DESCRIPTION CONN DIAGRAM-NAMEPLATE		
COPYRIGHT REGAL BELOIT AMERICA, INC. ALL RIGHTS RESERVED. PROPRIETARY AND CONFIDENTIAL INFORMATION - THIS DOCUMENT IS THE PROPERTY OF REGAL BELOIT AMERICA, INC. (OWNER) AND COMPANY OWNER'S PROPRIETARY INFORMATION. ANY REPRODUCTION OR OTHER FIRM RECEIVING IT IS DENIED. BY RECEIVING IT, TO AGREE THAT IT, AND/OR ANY PART OF IT, SHALL NOT BE DISCLOSED TO ANY PERSON, CORPORATION OR OTHER ENTITY, DUPLICATED, AND/OR USED, EXCEPT AS EXPRESSLY APPROVED IN WRITING IN ADVANCE BY OWNER. THIS DOCUMENT SHALL BE RETURNED TO OWNER UPON REQUEST. IT MAY BE SUBJECT TO CERTAIN RESTRICTIONS UNDER APPLICABLE EXPORT CONTROL LAWS AND REGULATIONS.				.XX	±0.02	[±0.51]		DATE: 03-31-2011	REFERENCE		
				.XXX	±0.005	[±0.127]		THIRD ANGLE PROJECTION	MATERIAL	PROCESS/FINISH	
				.XXXX	±0.0005	[±0.0127]		SIZE	DWG NO	614131-265	SHEET
								C			1
				REMOVE BURRS & BREAK SHARP EDGES .003/.015 [0.076/.381] X 45°	CORNER FILLETS R.02 [51]						
				MACHINED SURFACES	125/ mm						
				mm SHOWN IN [BRACKETS]	INCH/ mm						