

# PRODUCT INFORMATION PACKET



Model No: 7FD1036

Catalog No: 7FD1036

Fan and Blower Motor, 1/3 HP, 1 Ph, 60 Hz, 277 V, 1075 RPM, 3 Speed, 48 Frame, OPEN



Regal and Century are trademarks of Regal Rexnord Corporation or one of its affiliated companies.

©2023 Regal Rexnord Corporation, All Rights Reserved. MC017097E





**Nameplate Specifications**

Phase	1	Output HP	1/3 Hp
Output KW	0.25 kW	Voltage	277 V
Speed	1075 rpm	Service Factor	1
Frame	48Y	Enclosure	Open Enclosed
Thermal Protection	Automatic	Ambient Temperature	50 °C
Frequency	60 Hz	Current	1.9 A
Duty	Air Over	Insulation Class	B
UL	Recognized	CSA	Y
CE	N	Number of Speeds	3

**Technical Specifications**

Electrical Type	Permanent Split Capacitor	Starting Method	Across The Line
Poles	6	Rotation	Reversible
Mounting	Resilient Ring/Extended Studs	Motor Orientation	Horizontal
Drive End Bearing	Ball	Opp Drive End Bearing	Ball
Frame Material	Rolled Steel	Shaft Type	Flat
Overall Length	10.93 in	Frame Length	3.88 in
Shaft Diameter	0.500 in	Shaft Extension	6.4 in
Outline Drawing	7FD1026_FA	Connection Drawing	614131-111

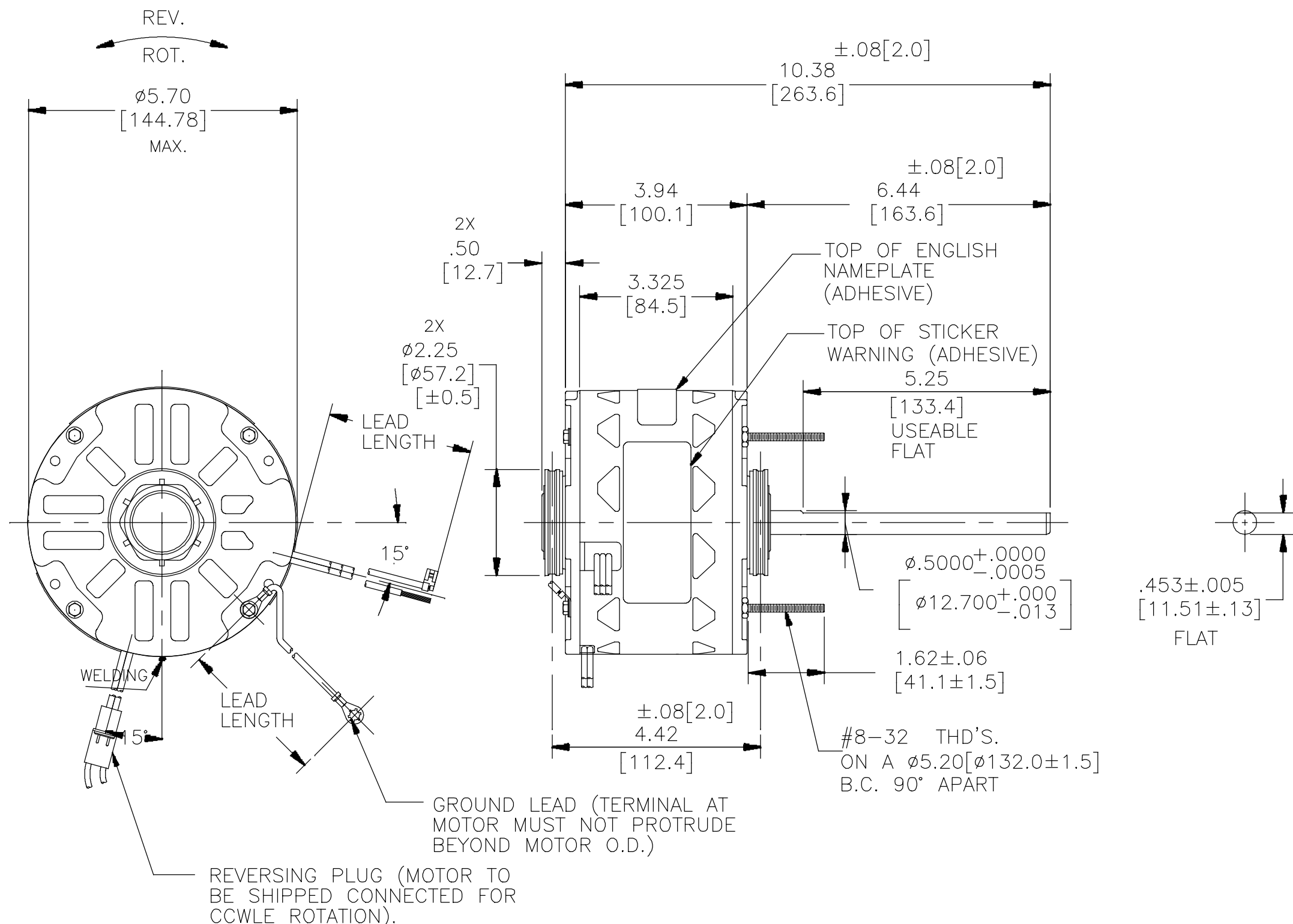
This is an uncontrolled document once printed or downloaded and is subject to change without notice. Date Created:06/19/2023

GENERAL INFORMATION:

SHAFT RUNOUT: .001[.03] T.I.R. PER INCH LENGTH OF EXTENSION.  
 END PLAY: .010[.03] TO .063[1.60]  
 BEARINGS: BALL  
 MOUNTING POSITION: HORIZONTAL

ELECTRICAL DATA:

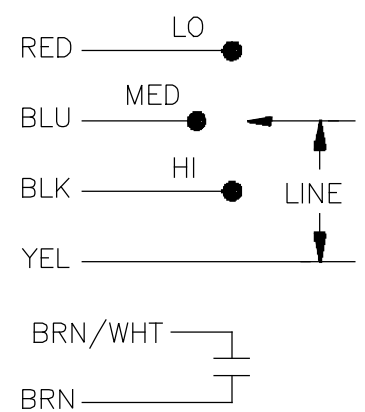
OVERLOAD PROTECTOR: AUTOMATIC RESET (T.I. 7AM 036)  
 LEADS: NO. 18 GA., .06[1.5] THK., PVC 105°C INSUL.  
 REVERSING LEADS: NO. 18 GA., .03[.8] THK., 125°C INSUL.  
 GROUND LEAD: NO. 18 GA., .03[.8] THK., (GREEN) INSUL.



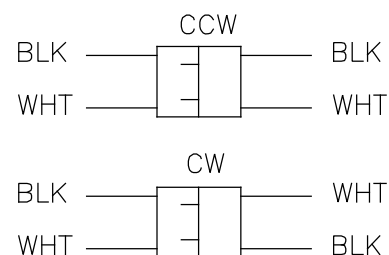
SAMPLE SM20-051 NAMEPLATE DATA:

MODEL NO.: 5KCP39EGDD731S  
 CUST. P/N: 7FD1026  
 HP: 1/4  
 ROT.: REVERSIBLE  
 RPM: 1075/3 SPD  
 TYPE: UF  
 FRAME: 48Y  
 VOLTS: 277  
 PH: 1  
 AMPS: 1.3(1.6 MAX)  
 HZ: 60  
 INS.: B  
 AMB.: 50° C  
 DUTY: AIR OVER  
 CAP.: 5 MFD/370V  
 THERMALLY PROTECTED

EXTERNAL CONNECTION DIAGRAM



ROTATION SELECTION



COLOR	LENGTH	TERMINAL OR STRIP LENGTH
GREEN(GRD)	12.0/13.0 [305/330]	#10 EYELET
BLACK/WHITE	3.0/5.0 [76/127]	REVERSING PLUG
BROWN	26.0/28.0 [660/711]	.25[6.4] FLAG
BROWN/WHITE	26.0/28.0 [660/711]	.25[6.4] FLAG
YELLOW	26.0/28.0 [660/711]	.50[12.7] SKIN
BLACK	26.0/28.0 [660/711]	.50[12.7] SKIN
BLUE	26.0/28.0 [660/711]	.50[12.7] SKIN
RED	26.0/28.0 [660/711]	.50[12.7] SKIN
COLOR	LENGTH	TERMINAL OR STRIP LENGTH

NOTE:  
 1. SNAP RINGS 615035 4 X TO BE PACKED WITH EACH MOTOR  
 2. ALL LABEL READ FROM LE  
 3. SPRING SHIM IN OLE SIDE

ENCLOSURE	
MAIN FRAME - OLE	OPEN
END FRAME - OLE	OPEN
MAIN FRAME - LE	OPEN
END FRAME - LE	OPEN

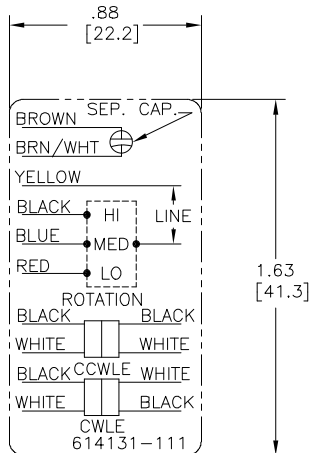
CUSTOMER	DISTRIBUTION SERVICES
----------	-----------------------



MADE IN INDIA

DRAWING REVISION	REVISION BY	DATE
B	MK	25.06.20
ECO	APPROVED BY	DATE
ECO-0188237	LS	25.06.20
ECO DESCRIPTION		
ENDSHIELD VIEW UPDATE		
<small>COPYRIGHT REGAL BELOIT AMERICA, INC. ALL RIGHTS RESERVED. PROPRIETARY AND CONFIDENTIAL INFORMATION - THIS DOCUMENT IS THE PROPERTY OF REGAL BELOIT AMERICA, INC. (OWNER) AND CONTAINS OWNER'S PROPRIETARY INFORMATION. ANY PERSON, CORPORATION OR OTHER FIRM RECEIVING IT IS DEEMED, BY RECEIVING IT, TO AGREE THAT IT, AND/OR ANY PART OF IT, SHALL NOT BE DISCLOSED TO ANY PERSON, CORPORATION OR OTHER ENTITY, DUPLICATED, AND/OR USED, EXCEPT AS EXPRESSLY APPROVED IN WRITING IN ADVANCE BY OWNER. THIS DOCUMENT SHALL BE RETURNED TO OWNER UPON REQUEST. IT MAY BE SUBJECT TO CERTAIN RESTRICTIONS UNDER APPLICABLE EXPORT CONTROL LAWS AND REGULATIONS.</small>		

DRAWN BY:	MK	<b>Regal Beloit America, Inc.</b>
DATE:	02.03.20	
APPROVED BY:	LS	DESCRIPTION
DATE:	02.30.20	MODEL-RFHP-48FR
PROCESS/FINISH	-	OUTLINE
THIRD ANGLE PROJECTION		MATERIAL
SIZE	DWG NO	
C	7FD1026_FA	
		SHEET
		1



NOTES:

1. FOR USE WITH 614129 NAMEPLATE BLANK
2. - - - - - INDICATES DIMENSION LIMITS
3. DIE TO BE MADE FROM MASTER SUPPLIED BY A. O. SMITH CORPORATION
4. DIE MUST PRODUCE A LEGIBLE IMPRESSION.

DRAWING REVISION		REVISION BY	DATE	TOLERANCES UNLESS OTHERWISE SPECIFIED		DRAWN BY:		Regal Beloito America, Inc.		
D		J. RUPERT	04-14-2021	DEC.	INCH	mm	ANGLE		DESCRIPTION CONNECTION DIAGRAM EXTERNAL	
ECO		APPROVED BY	DATE	.X	±0.1	[±2.5]	±0.5°	APPROVED BY:		
NMR-0208129		J. RUPERT	04-14-2021	.XX	±0.02	[±0.51]		T. RILEY		
ECO DESCRIPTION				.XXX	±0.005	[±0.127]		DATE:		
UP ISSUED				.XXXX	±0.0005	[±0.0127]		05-25-2010		
COPYRIGHT REGAL BELOITO AMERICA, INC. ALL RIGHTS RESERVED. PROPRIETARY AND CONFIDENTIAL INFORMATION - THIS DOCUMENT IS THE PROPERTY OF REGAL BELOITO AMERICA, INC. ("OWNER") AND CONTAINS OWNER'S PROPRIETARY INFORMATION. ANY PERSON, CORPORATION OR OTHER FIRM RECEIVING IT IS DEEMED BY RECEIVING IT, TO AGREE THAT IT, AND/OR ANY PART OF IT, SHALL NOT BE DISCLOSED TO ANY PERSON, CORPORATION OR OTHER ENTITY, DUPLICATED, AND/OR USED, EXCEPT AS EXPRESSLY APPROVED IN WRITING IN ADVANCE BY OWNER. THIS DOCUMENT SHALL BE RETURNED TO OWNER UPON REQUEST. IT MAY BE SUBJECT TO CERTAIN RESTRICTIONS UNDER APPLICABLE EXPORT CONTROL LAWS AND REGULATIONS.				REMOVE BURRS & BREAK SHARP EDGES .003/.015 [076/381] X 45° CORNER FILLETS R.02 [51] MACHINED SURFACES		REFERENCE		MATERIAL	PROCESS/FINISH	
				4 of 4 mm SHOWN IN [BRACKETS]		THIRD ANGLE PROJECTION		SIZE	DWG NO	
								A	614131-111	SHEET
									1	