

PRODUCT INFORMATION PACKET



Model No: 7FD1016

Catalog No: 7FD1016

Fan and Blower Motor, 1/6 HP, 1 Ph, 60 Hz, 277 V, 1075 RPM, 3 Speed, 48 Frame, OPEN



Regal and Century are trademarks of Regal Rexnord Corporation or one of its affiliated companies.
©2023 Regal Rexnord Corporation, All Rights Reserved. MC017097E





Nameplate Specifications

Output HP	1/6 Hp	Output KW	0.13 kW
Frequency	60 Hz	Voltage	277 V
Current	0.8 A	Speed	1075 rpm
Service Factor	1	Phase	1
Duty	Air Over	Insulation Class	B
Frame	48Y	Enclosure	Open Enclosed
Thermal Protection	Automatic	Ambient Temperature	50 °C
UL	Recognized	CSA	Y
CE	N	Number of Speeds	3

Technical Specifications

Electrical Type	Permanent Split Capacitor	Starting Method	Across The Line
Poles	6	Rotation	Reversible
Mounting	Resilient Ring/Extended Studs	Motor Orientation	Horizontal
Drive End Bearing	Ball	Opp Drive End Bearing	Ball
Frame Material	Rolled Steel	Shaft Type	Flat
Overall Length	10.68 in	Frame Length	3.13 in
Shaft Diameter	0.500 in	Shaft Extension	6.4 in
Outline Drawing	7FD1016-S01		

This is an uncontrolled document once printed or downloaded and is subject to change without notice. Date Created:01/25/2023

GENERAL INFORMATION:

SHAFT RUNOUT: .001[.03] T.I.R. PER INCH LENGTH OF EXTENSION.

BEARINGS: BALL

MOUNTING POSITION: HORIZONTAL

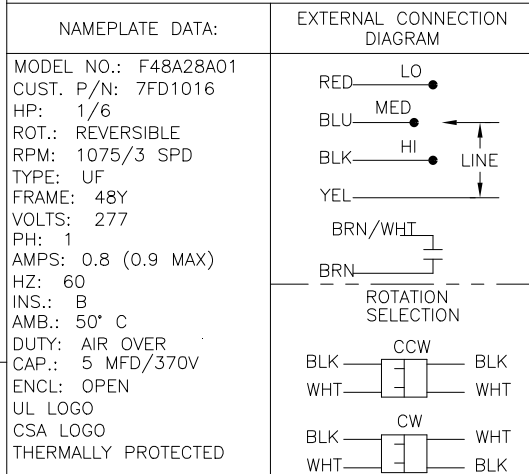
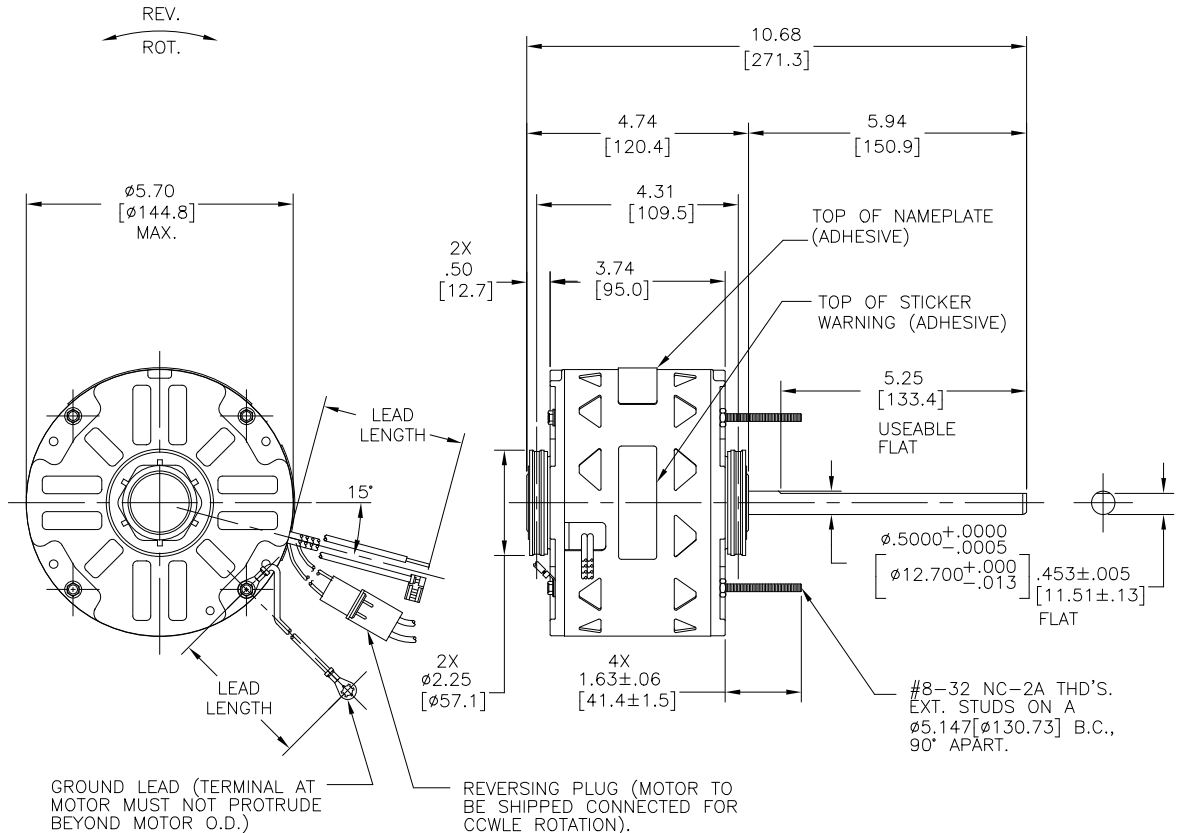
ELECTRICAL DATA:

OVERLOAD PROTECTOR: AUTOMATIC RESET (T.I. 7AM 036)

LEADS: NO. 18 GA., .06[1.5] THK., PVC 105°C INSUL.

REVERSING LEADS: NO. 18 GA., .03[.8] THK., XLP 125°C INSUL.

GROUND LEAD: NO. 18 GA., .03[.8] THK., (GREEN) INSUL.



PERFORMANCE CURVE NO.	TORQUE @ 1075 RPM (25°C)	APPROVED SAMPLE	UL COMPONENT				CSA	
			FILE #	CCN #	FILE #	CLASS #		
C24631	14.4 OZ. FT.	EX11390	E46412	PRGY2	LR43341	4211-01		

COLOR	LENGTH	TERMINAL OR STRIP LENGTH
GREEN(GRD)	12.0/13.0 [305/330]	#10 EYELET
BLACK/WHITE	3.0/5.0 [76/127]	REVERSING PLUG
BROWN	26.0/28.0 [660/711]	.25[6.4] FLAG
BROWN/WHITE	26.0/28.0 [660/711]	.25[6.4] FLAG
YELLOW	26.0/28.0 [660/711]	.50[12.7] SKIN
BLACK	26.0/28.0 [660/711]	.50[12.7] SKIN
BLUE	26.0/28.0 [660/711]	.50[12.7] SKIN
RED	26.0/28.0 [660/711]	.50[12.7] SKIN

NOTE:
1. THE FOLLOWING PARTS TO BE PACKED IN A POLYBAG WITH EACH MOTOR.
(4) RING SPLIT ADAPTORS

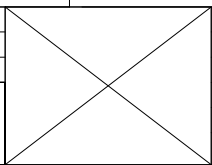
REGAL-BELOIT CORPORATION (RBC) PROVIDES TECHNICAL ASSISTANCE TO OUR CUSTOMERS IN SEVERAL AREAS. SINCE RBC DOES NOT RECEIVE ALL DATA CONCERNING THE USE AND APPLICATION OF THE MOTOR, THE SUITABILITY OF THE MOTOR FOR THE APPLICATION MUST BE DETERMINED BY THE CUSTOMER.

DIMENSIONS WITHOUT TOLERANCES ARE FOR REFERENCE ONLY.

MAIN FRAME — OLE	OPEN
END FRAME — OLE	OPEN
MAIN FRAME — LE	OPEN
END FRAME — LE	OPEN

CUSTOMER	DISTRIBUTION SERVICES

DRAWING REVISION	REVISION BY	DATE
C	TRSK	1-19-2023
ECO	APPROVED BY	DATE
NMR-0219672	TRSK	1-19-2023
ECO DESCRIPTION		
STB CHANGE PER NMR		



ENCLOSURE		DRAWN BY:	
		B.ZHAO	
		DATE:	
		01-19-2012	
		APPROVED BY:	
		B.SHEN	
		DATE:	
		01-19-2012	
		REFERENCE	
		MATERIAL	
		PROCESS/FINISH	
		SIZE	
		DWG NO	
		7FD1016	
		SHEET	
		1	

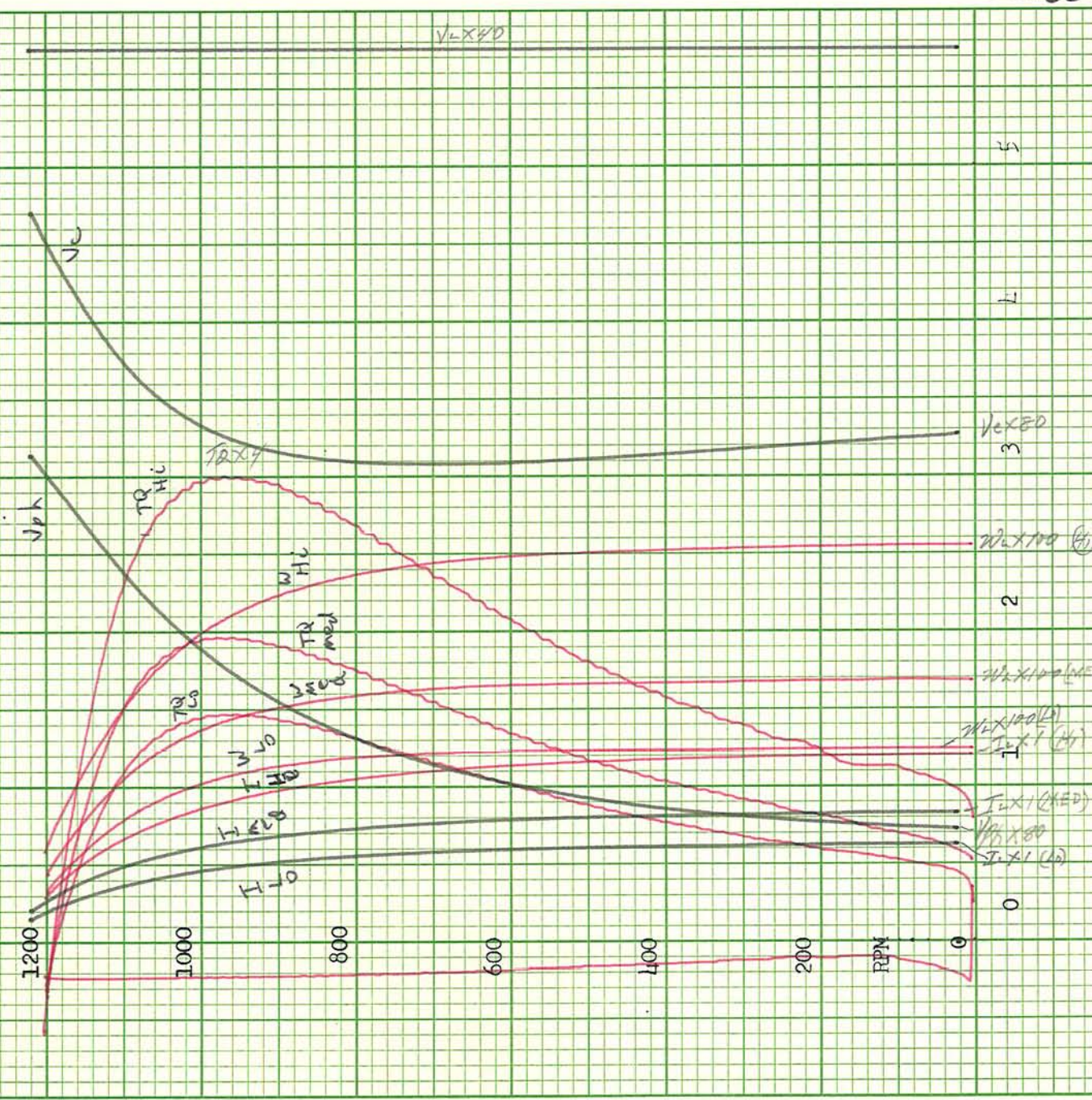
C-24631

C-24631

A. O. SMITH CORP. - ELECTRIC MOTOR DIVISION

TYPE	UF	FRAME	48	MODEL NO.	F48D5E6A11
HP	1/6	VOLTS	227	HZ	60
PHASE	1	RPM	1075 (3540)	CAP	570
					MFD 370 VAC

TESTED AT 230 VOLTS



TORQUE (oz.ft.)	X 4	POINTS (LINE)	X 40
AMPS	X 1	ηc	X 80
WATTS	X 100	ηph	X 80
TESTED BY:		DATE:	8-1-88 FPP

X27741



Specification & Rating Report

Item Number: **7FD1016**

Specification Number: **1**

Model Number: **F48A28A01**

Carton Label Model
Number:

Customer Model
Number:

Sample Number:

Customer Specification
Number:

Catalog Number: **7FD1016**

Agency Type:

CE: **N**

CSA: **Y**

UL: **Y**

CE Number:

CSA Number: **NO**

UL Number: **NO**

UL Explosion Proof Rating:

Cubic Feet Per Minute:

F2 Assembly:

UPC Model Number: **786674010889**

UPC Catalog Number: **786674010889**

Nameplate Drive
Bearing Type:

Nameplate Opposite
Drive Bearing Type:

Label Drive Bearing **BALL**
Type:

Label Opposite Drive **BALL**
Bearing Type:

Capacitor:

Capacitor Rating MFD: **5**

Capacitor Included: **N**

Capacitor Rating VAC: **370**

Control Code:

DC Design Number:

Form Factor:

Design Status:

Features:

Connection Diagram:

Lubrication Label
Diagram:

Outline Diagram: **7FD1016-S01**

Installation Diagram:

Warning Label
Diagram:

Outline Graphic: **17A**

Ambient Temperature: **50**

Insulation Class: **B**



Specification & Rating Report

Protector: AUTOMATIC	Thermal Protection:
Nameplate Overload:	Label Overload:
IP Code:	
Nameplate Enclosure: OPEN	Label Enclosure: OPEN
Frame Length: 3.125	Frame Length UOM: IN
Frame Diameter: 5.70	Frame Diameter UOM: IN
Frame Size: 48Y	
Frame Material: ROLLED STEEL	End Frame Material:
Operator Instruction Manual:	
Nameplate Mounting:	Label Mounting: STUD/RESILIENT RING
Base Height:	Base Height UOM:
Ring Diameter:	RingDiameterUOM:
Nameplate:	Carton Label:
Nameplate Location L Format:	
Brake:	Tachometer:
Layer Quantity:	Pallet Quantity:
Phase: 1	CurrentType:
DC Pole:	
Poles: 6	
Speeds: 3	
Duty: AIR OVER	
Shaft Diameter: 1/2	Shaft Diameter UOM:
Shaft Extension: 6.4	Shaft Extension UOM:
Shaft Material:	Rotation: REVERSIBLE
Shaft Type: FLAT	
Motor Type: UF	
Motor Use:	
Nameplate 1:	
Nameplate 2:	
Nameplate Text 1: USE BOTH ROTATION ARROWS	



Specification & Rating Report

Nameplate Text 2:

Nameplate Text 3:

Nameplate Text 4:

Label Text 1: **PERMANENT
SPLIT
CAPACITOR**

Label Text 2:

Label Text 3: **DIRECT DRIVE
BLOWER
MOTOR**

Label Text 4:

Brand Line:

Vendor Line:

Motor Weight:

Motor Weight UOM:

Shipping Weight:

Shipping Weight UOM:

Armature Field
Winding:

Core Length: **1.00**

Core Length UOM: **IN**

Winding Code:

Winding Specification:

Nameplate Only
Instructions:

Nameplate & Label
Instructions:

Label Only
Instructions:



Specification & Rating Report

Rating Number: **1**

Horsepower: **1/6**

Volts: **277**

Hertz: **60**

Field Current:

Revolutions Per **1075/3 SPD**
Minute:

Service Factor: **1.0**

Service Factor Amps:

NEMA Code:

NEMA Design:

Customer Nameplate Number:

Kilowatts:

Amps: **0.8**

Maximum Amps: **0.9**

Armature Current:

Power Factor:

Service Factor Volts:

NEMA Nominal Efficiency:

NEMA Guaranteed Efficiency: