

# PRODUCT INFORMATION PACKET



Model No: 799A  
Catalog No: 799A

OEM Replacement Motor, 1/8,1/10,1/15,1/20,1/30 HP, 1 Ph, 60 Hz, 115 V, 1050 RPM, 5 Speed, 42 Frame,  
OAO



Regal and Century are trademarks of Regal Rexnord Corporation or one of its affiliated companies.  
©2024 Regal Rexnord Corporation, All Rights Reserved. MC017097E





**Nameplate Specifications**

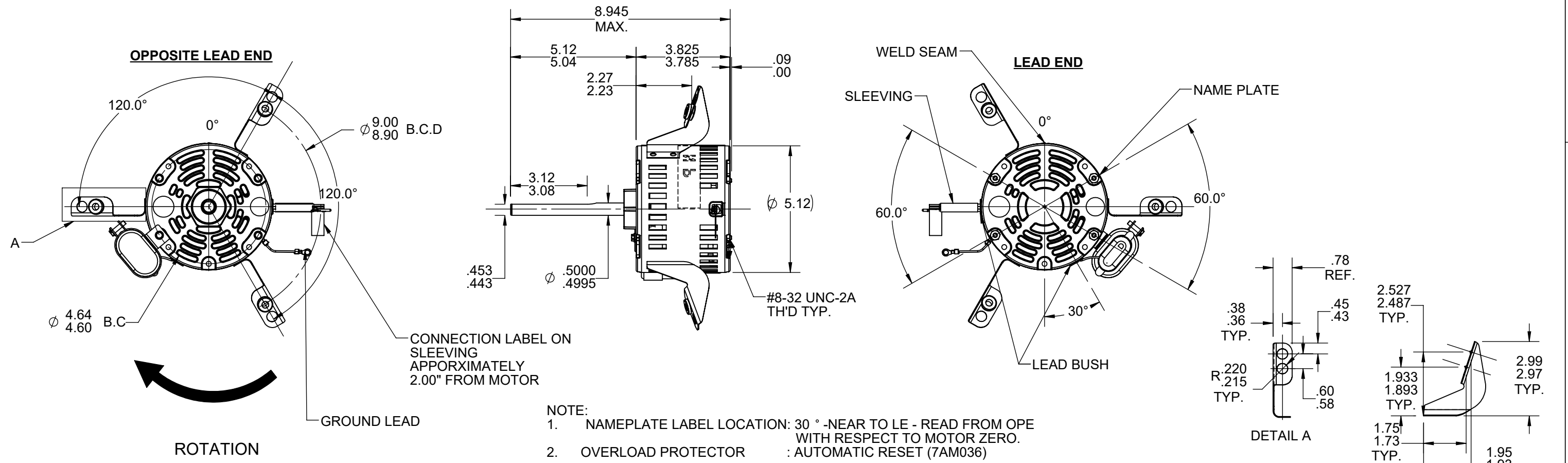
Phase	1	Output HP	1/8,1/10,1/15,1/20,1/30 Hp
Voltage	115 V	Speed	1050 rpm
Service Factor	1.0	Frame	42
Enclosure	Open Air Over	Thermal Protection	Automatic
Ambient Temperature	40 °C	Frequency	60 Hz
Current	2.2,1.95,1.7,0.93,0.57 A	Duty	Continuous Air Over
Insulation Class	B	UL	Recognized
CSA	Y	CE	N
Number of Speeds	5		

**Technical Specifications**

Electrical Type	Permanent Split Capacitor	Starting Method	Across The Line
Poles	6	Rotation	Clockwise Shaft End
Mounting	Lug	Drive End Bearing	Ball
Opp Drive End Bearing	Ball	Frame Material	Rolled Steel
Shaft Type	Flat	Frame Length	3.83 in
Shaft Diameter	0.500 in	Shaft Extension	5.08 in
Outline Drawing	71870505R		

This is an uncontrolled document once printed or downloaded and is subject to change without notice. Date Created:10/21/2024

										1		
										VENTILATION SYSTEM		
										SHELL VENTS	OPEN	
										ENDSHIELD(PE END)	OPEN	
										ENDSHIELD(OPE END)	OPEN	
4	S.NO	CONNECTION	COLOR	EXIT TYPE	EXIT LOC (VIEWING OPE)	GAGE	MATERIAL	WALL THK.	LENGTH (±1.50)	TERMINATION		
	1	COMMON LEAD	WHITE	LEAD BUSH	9:00	18	XLPE	2/64	30.0	0.084 PIN-MALE UNINSULATED		
	2	CAPACITOR LEAD	BROWN	CONNECTED TO CAPACITOR	5:00	18	XLPE	2/64	N/R	0.25 FQC		
	3	CAPACITOR LEAD	BROWN	CONNECTED TO CAPACITOR	5:00	18	XLPE	2/64	N/R	0.25 FQC		
	4	HIGH SPEED LEAD	BLACK	LEAD BUSH	9:00	18	XLPE	2/64	30.0	0.084 PIN-MALE UNINSULATED		
	5	MEDIUM HIGH SPEED LEAD	YELLOW	LEAD BUSH	9:00	18	XLPE	2/64	30.0	0.084 PIN-MALE UNINSULATED		
	6	MEDIUM SPEED LEAD	BLUE	LEAD BUSH	9:00	18	XLPE	2/64	30.0	0.084 PIN-MALE UNINSULATED		
	7	MEDIUM LOW SPEED LEAD	ORANGE	LEAD BUSH	9:00	18	XLPE	2/64	30.0	0.084 PIN-MALE UNINSULATED		
	8	LOW SPEED LEAD	RED	LEAD BUSH	9:00	18	XLPE	2/64	30.0	0.084 PIN-MALE UNINSULATED		
	9	GROUND LEAD	GRN/YEL	CLAMP SCREW	8:00	16	THERMOPLASTIC	2/64	12.0	0.25 SERRATED RING		



NAME PLATE DATA	
MODEL	71870505
CUST P/N	799A
HP	1/8
RPM	1050 (5 SPD)
VOLTS	115
HZ	60
SPEEDS	5
AMPS	2.30
CAP REQ D-1	5.0/370
CAP REQ D-1	N/R
CONN. DRW	NP24X350534
ROTATION	CWSE

DRAWING REVISION	REVISION BY	REV DATE/© DATE
AD	Muralidar	09/06/2024
REQUEST NUMBER	APPROVED BY	DATE
NMR-0227425	Muralidar	09/06/2024
REQUEST NUMBER DESCRIPTION		
UPDATED ROTATION IN NP DATA AS PER ECR		
<small>COPYRIGHT (PER REVISION DATE) REGAL BELOIT AMERICA, INC. ALL RIGHTS RESERVED. PROPRIETARY AND CONFIDENTIAL INFORMATION - THIS DOCUMENT IS THE PROPERTY OF REGAL BELOIT AMERICA, INC. ("OWNER") AND CONTAINS OWNER'S PROPRIETARY INFORMATION. ANY PERSON, CORPORATION OR OTHER FIRM RECEIVING IT IS DEEMED, BY RECEIVING IT, TO AGREE THAT IT, AND/OR ANY PART OF IT, SHALL NOT BE DISCLOSED TO ANY PERSON, CORPORATION OR OTHER ENTITY, DUPLICATED, AND/OR USED, EXCEPT AS EXPRESSLY APPROVED IN WRITING IN ADVANCE BY OWNER. THIS DOCUMENT SHALL BE RETURNED TO OWNER UPON REQUEST. IT MAY BE SUBJECT TO CERTAIN RESTRICTIONS UNDER APPLICABLE EXPORT CONTROL LAWS AND REGULATIONS.</small>		

PRIMARY DIMENSIONS ARE INCH  
mm DIMENSIONS IN [BRACKETS]  
ARE FOR REFERENCE ONLY

DRAWN BY	Muralidar
DATE	6/15/2023
APPROVED BY	TSRK
DATE	6/15/2023
REFERENCE	
THIRD ANGLE PROJECTION	

		Regal Beloit America, Inc.	
DESCRIPTION			
<b>OUTLINE</b>			
CUSTOMER NAME: DISTRIBUTION SERVICES			
MATERIAL		PROCESS/FINISH	
SIZE	DRAWING NUMBER	SHEET	
B	71870505R	1 OF 1	