

PRODUCT INFORMATION PACKET



Model No: 768A
Catalog No: 768A

Unit Heater Motor, 1/3 HP, 1 Ph, 60 Hz, 115/230 V, 1725 RPM, 1 Speed, 48 Frame, TEAO



Regal and Century are trademarks of Regal Rexnord Corporation or one of its affiliated companies.
©2022 Regal Rexnord Corporation, All Rights Reserved. MC017097E





Nameplate Specifications

Output HP	1/3 Hp	Output KW	0.25 kW
Frequency	60 Hz	Voltage	115/230 V
Current	2.9/1.5 A	Speed	1725 rpm
Service Factor	1	Phase	1
Duty	Air Over	Insulation Class	B
Frame	F48Y	Enclosure	Totally Enclosed Air Over
Thermal Protection	Automatic	Ambient Temperature	60 °C
UL	Recognized	CSA	Y
CE	N	Number of Speeds	1

Technical Specifications

Electrical Type	Permanent Split Capacitor	Starting Method	Across The Line
Poles	4	Rotation	Reversible
Mounting	Resilient Base	Motor Orientation	Horizontal
Drive End Bearing	Ball	Opp Drive End Bearing	Ball
Frame Material	Rolled Steel	Shaft Type	Flat
Overall Length	12.36 in	Frame Length	6.00 in
Shaft Diameter	0.500 in	Shaft Extension	5.00 in
Outline Drawing	F48Z68A01	Connection Drawing	D0000313-002

This is an uncontrolled document once printed or downloaded and is subject to change without notice. Date Created:11/28/2022

4

3

2

1

REV	ECO	REV BY	DATE	APPD	DATE
E	0025527	J.AGUILERA	04-24-2012	R.RASCON	04-24-2012

GENERAL INFORMATION:

SHAFT RUNOUT: .001[.03] T.I.R. PER INCH LENGTH OF EXTENSION

BEARINGS: BALL

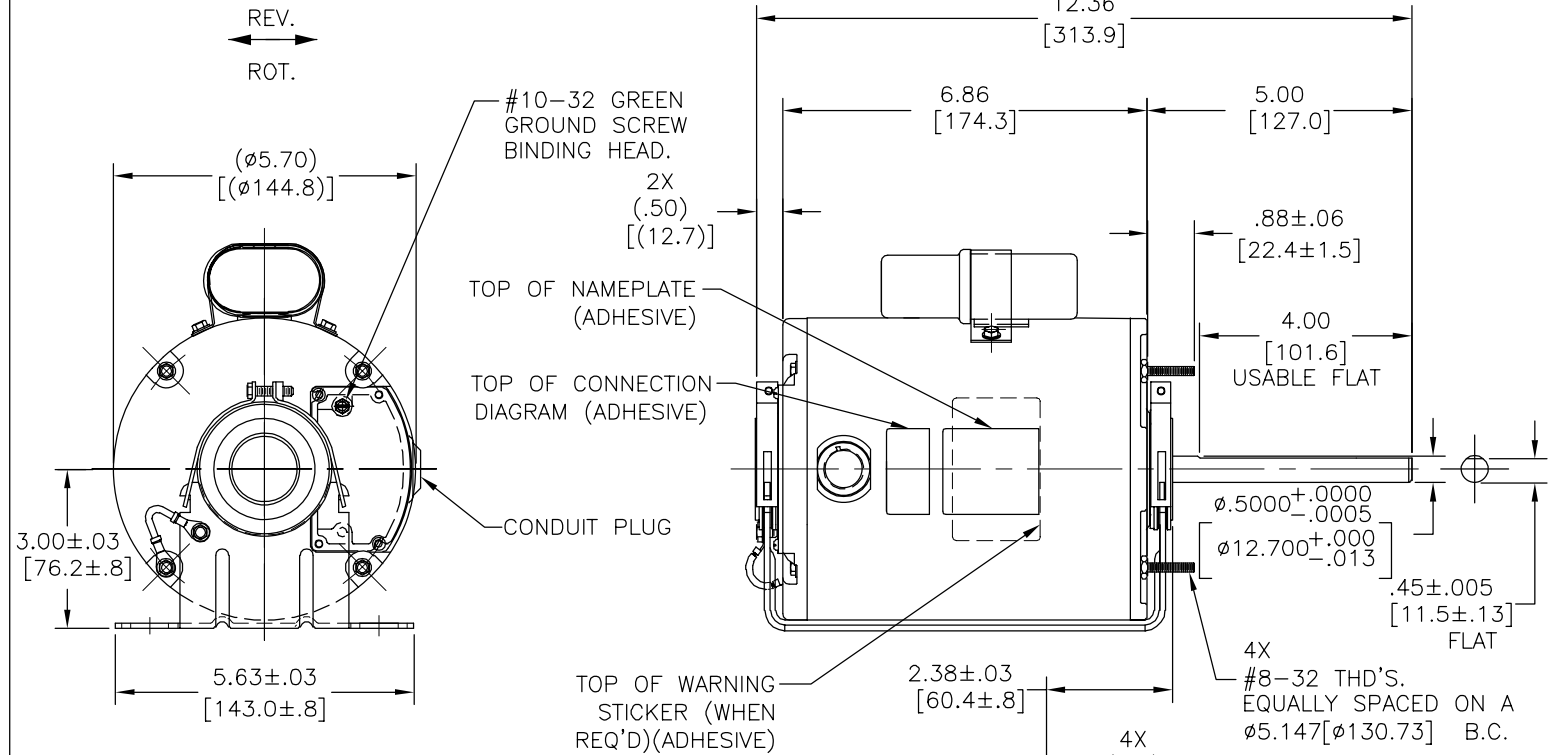
MOUNTING POSITION: HORIZONTAL

ELECTRICAL DATA:

OVERLOAD PROTECTOR: AUTOMATIC RESET (T.I. 7AM 036)

LEADS: NO. 18 GA., .03[.8] THK. 125°C INSUL.

GROUND LEAD: NO. 18 GA., .03[.8] THK. (GREEN/YELLOW) INSUL.



- NOTES:
 1. SHIP SEPARATE 72T7140A-3 BAG ASSEMBLY.
 2. MOTOR TO BE SHIPPED CONNECTED FOR CCWLE ROTATION AND 115 VOLTS.

GREEN/YELLOW (GRD)	3.0/5.0 [76/127]	#10 EYELET
RED	CONNECTED TO CAPACITOR	.25 [6.4] FLAG
RED	CONNECTED TO CAPACITOR	.25 [6.4] FLAG
YELLOW	3.0/5.0 [76/127]	.25 [6.4] FLAG
BLACK	3.0/5.0 [76/127]	.25 [6.4] FLAG
ORANGE	3.0/5.0 [76/127]	.25 [6.4] FLAG
WHITE	3.0/5.0 [76/127]	.25 [6.4] FLAG
RED	3.0/5.0 [76/127]	.25 [6.4] FLAG
BROWN	3.0/5.0 [76/127]	.25 [6.4] FLAG
YELLOW/BLACK	3.0/5.0 [76/127]	.25 [6.4] FLAG
COLOR	LENGTH	TERMINAL OR STRIP LENGTH

NAMEPLATE DATA:	EXTERNAL CONNECTION DIAGRAM
MODEL NO.: F48Z68A01 CUST. P/N: 768A HP: 1/3 ROT.: REV. RPM: 1725 TYPE: UF FRAME: 48Y VOLTS: 115/230 PH: 1 AMPS: 2.9/1.5 HZ: 60 INS.: B AMB.: 60° C DUTY: AIR OVER CAP.: 10 MFD/370 V ENCL: ENCLOSED UL LOGO CSA LOGO THERMALLY PROTECTED	<p>SHOWN FOR CCWLE ROTATION, FOR CWLE INTERCHANGE RED AND BLACK LEADS 614131-345</p>

PERFORMANCE CURVE NO.	TORQUE @ 1725 RPM (25°C)	APPROVED SAMPLE	UL COMPONENT FILE #	CCN #	CSA FILE #	CLASS #
C32725	13.4 OZ. FT.	0604211C	E46412	PRGY2	LR43341	4211-01

MAIN FRAME - OLE	ENCLOSED
END FRAME - OLE	ENCLOSED
MAIN FRAME - LE	ENCLOSED
END FRAME - LE	ENCLOSED

CUSTOMER	DIST. SERVICES
----------	----------------

GEOMETRIC CHARACTERISTICS & SYMBOLS
 □ FLATNESS
 — STRAIGHTNESS
 ∠ ANGULARITY
 ⊥ PERPENDICULARITY (SQUARENESS)
 // PARALLELISM
 ○ ROUNDNESS (CIRCULARITY)
 ∅ CYLINDRICITY
 △ PROFILE OF ANY SURFACE
 ∩ PROFILE OF ANY LINE
 ↗ RUNOUT
 ⊕ TRUE POSITION
 ⊙ CONCENTRICITY
 = SYMMETRY
 ASME Y14.5M 1994

REGAL-BELOIT CORPORATION (RBC) PROVIDES TECHNICAL ASSISTANCE TO OUR CUSTOMERS IN SEVERAL AREAS. SINCE RBC DOES NOT RECEIVE ALL DATA CONCERNING THE USE AND APPLICATION OF THE MOTOR, THE SUITABILITY OF THE MOTOR FOR THE APPLICATION MUST BE DETERMINED BY THE CUSTOMER.
 DIMENSIONS WITHOUT TOLERANCES ARE FOR REFERENCE ONLY.

DR BY: MEIYU.HE 07-03-2007
 APPD: TR 02-25-2008
 THIRD ANGLE PROJECTION
 EDS DATE 11-11-2011
 FORMAT REV G
 CONFIDENTIAL: THIS DRAWING AND ITS INFORMATION ARE THE EXCLUSIVE AND CONFIDENTIAL PROPERTY OF REGAL-BELOIT CORPORATION AND ARE NOT TO BE DISCLOSED, DUPLICATED, DISTRIBUTED OR OTHERWISE USED WITHOUT THE WRITTEN CONSENT OF REGAL-BELOIT CORPORATION. -ALL RIGHTS RESERVED.

DESCRIPTION	
MODEL-RFHP-48FR OUTLINE	
SIZE C	DWG NO F48Z68A01
SCALE NONE	SHEET 1

4

3

2

1

4

3

2

1

REVISION:	ECO	REVISADO POR:	FECHA:	APROBADO POR:	FECHA:
E	0025527	J.AGUILERA	04-24-2012	R.RASCON	04-24-2012

INFORMACION GENERAL:

OSCILACION DE FLECHA: .001[.03] L.T.I. POR LONGITUD DE EXTENSION

BALEROS: BALEROS

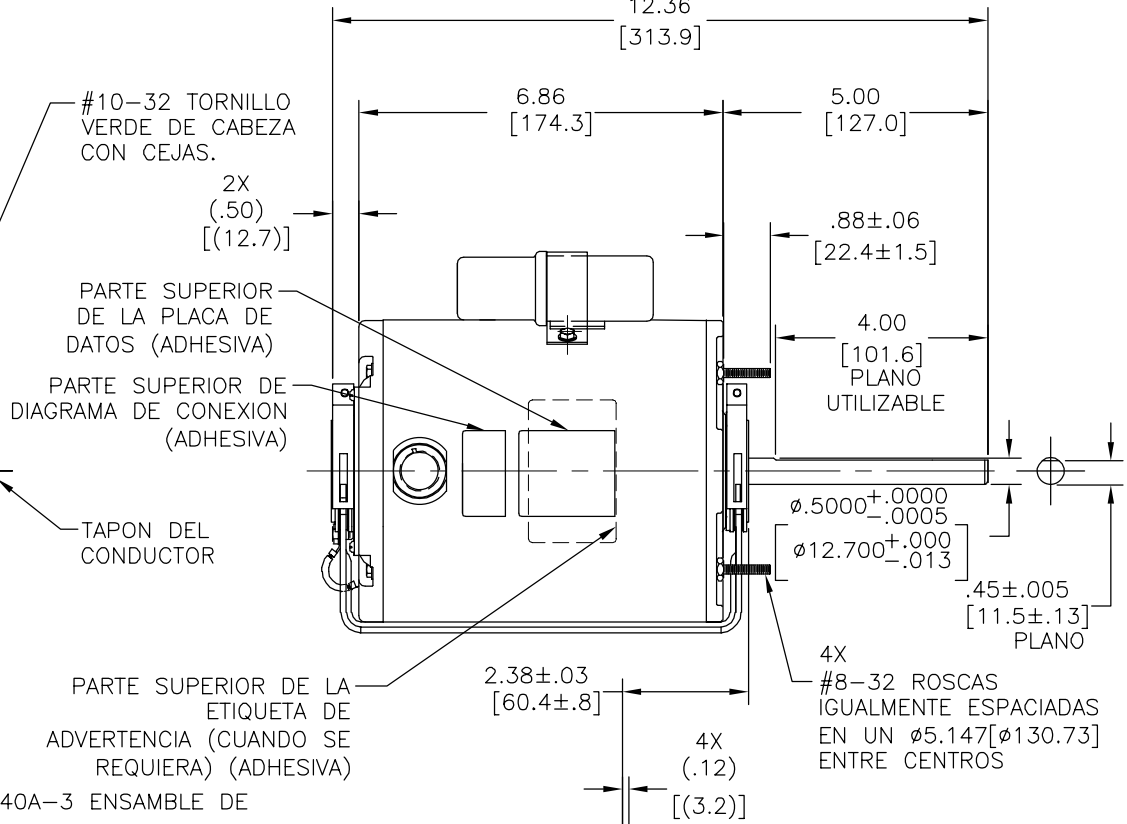
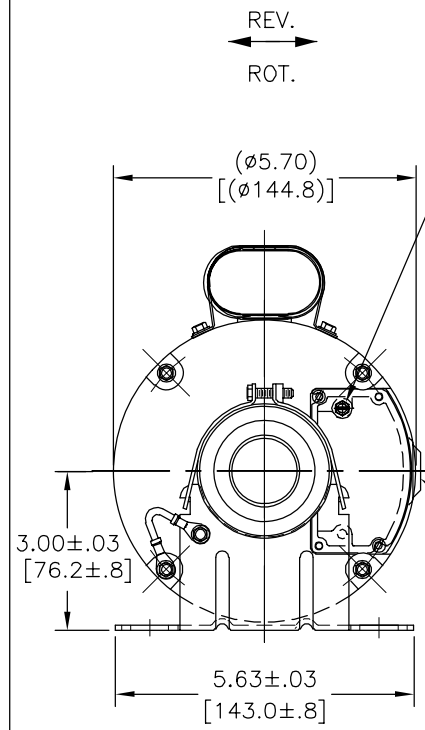
POSICION DEL MONTAJE: HORIZONTAL

INFORMACION ELECTRICA:

PROTECTOR DE SOBRECARGA: REINICIO AUTOMATICO (T.I. 7AM 036)

CABLES: CALIBRE 18 AISLANTE .03 [.8] GROSOR 125°C

CABLE DE TIERRA: CALIBRE 18 AISLANTE .03 [.8] GROSOR (VERDE/AMARILLO)



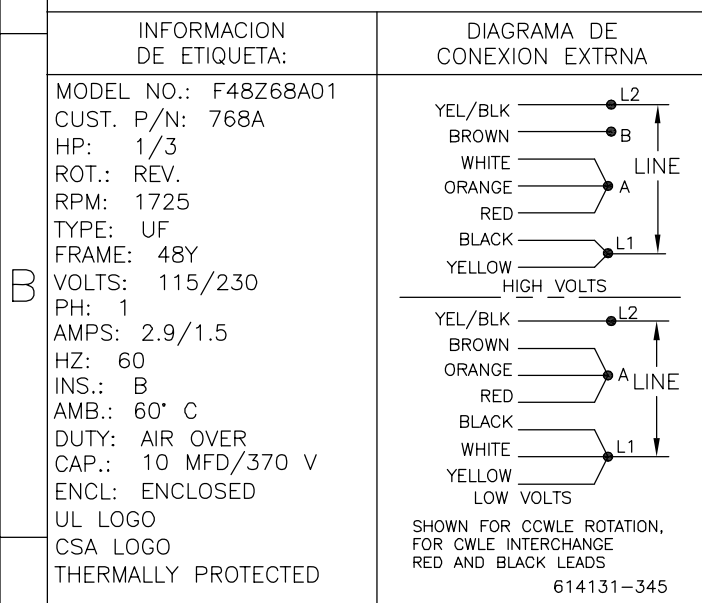
NOTES:

1. ENVIAR POR SEPARADO 72T7140A-3 ENSAMBLE DE BOLSA.
2. EL MOTOR DEBE SER ENVIADO CONECTADO PARA ROTACION CCWLE Y 115 VOLTIOS.

VERDE/AMAR. (TIERRA)	3.0/5.0 [76/127]	#10 TERMINAL DE ANILLO
ROJO	CONNECTED TO CAPACITOR	.25[6.4] BANDERA
ROJO	CONNECTED TO CAPACITOR	.25[6.4] BANDERA
AMARILLO	3.0/5.0 [76/127]	.25[6.4] BANDERA
NEGRO	3.0/5.0 [76/127]	.25[6.4] BANDERA
NARANJA	3.0/5.0 [76/127]	.25[6.4] BANDERA
BLANCO	3.0/5.0 [76/127]	.25[6.4] BANDERA
ROJO	3.0/5.0 [76/127]	.25[6.4] BANDERA
CAFE	3.0/5.0 [76/127]	.25[6.4] BANDERA
AMAR./NEGRO	3.0/5.0 [76/127]	.25[6.4] BANDERA
COLOR	LONGITUD	TERMINAL O LONGITUD DE DESFORRE

CARCASA - LOC	ENCERRADO
TAPA - LOC	ENCERRADO
CARCASA - LC	ENCERRADO
TAPA - LC	ENCERRADO

CLIENTE	DIST. SERVICES
---------	----------------



CURVAS DE FUNCIONAMIENTO	TORSION @ 1725 RPM (25°C)	MUESTRA APROBADA	COMPONENTE UL	CSA
C32725	13.4 OZ. FT.	0604211C	#ARCHIVO PRGY2 LR43341	4211-01

<p>CARACTERISTICAS DE GEOMETRIA Y SIMBOLOS</p> <ul style="list-style-type: none"> □ PLANICIDAD — RECTITUD ∠ ANGULARIDAD ⊥ PERPENDICULARIDAD (A ESCUADRA) // PARALELISMO ○ REDONDEZ (CIRCULARIDAD) ∅ CILINDRICIDAD △ PERFIL DE CUALQUIER SUPERFICIE ∇ PERFIL DE CUALQUIER LINEA ∧ VARIACION ⊕ POSICION REAL ⊙ CONCENTRICIDAD ≡ SIMETRIA 	<p>REGAL-BELOIT CORPORATION (RBC) PROVEE ASISTENCIA TECNICA A NUESTROS CLIENTES EN VARIAS AREAS. DESDE QUE RBC NO RECIBE TODOS LOS DATOS EN RELACION AL USO Y A LA APLICACION DEL MOTOR, LA APLICACION ADECUADA DEL MOTOR DEBE SER DETERMINADA POR EL CLIENTE.</p>
---	--

DIMENSIONES SIN TOLERANCIA SON DE REFERENCIA SOLAMENTE

DIBUJADO POR:	MEIYU.HE	07-03-2007
APROBADO POR:	TR	02-25-2008
TERCER ANGULO DE PROYECCION	FECHA EDS: 11-11-2011	REV. FORMATO: G
CONFIDENCIAL: ESTE DIBUJO Y SU INFORMACION SON PROPIEDAD DE USO EXCLUSIVO Y CONFIDENCIAL DE REGAL-BELOIT CORPORATION. Y NO DEBERAN SER REVELADOS, DUPLICADOS, DISTRIBUIDOS O USARSE DE OTRA MANERA SIN EL CONSENTIMIENTO ESCRITO DE REGAL-BELOIT CORPORATION. -TODOS LOS DERECHOS RESERVADOS.		

DESCRIPCION: MODEL-RFHP-48FR OUTLINE	
TAMAÑO: C	NUMERO DE DIBUJO: F48Z68A01
ESCALA: NONE	HOJA: 1

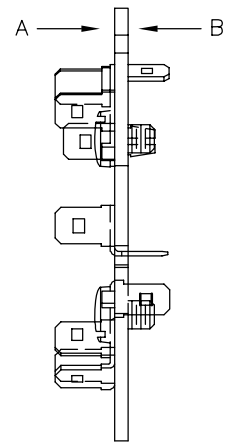
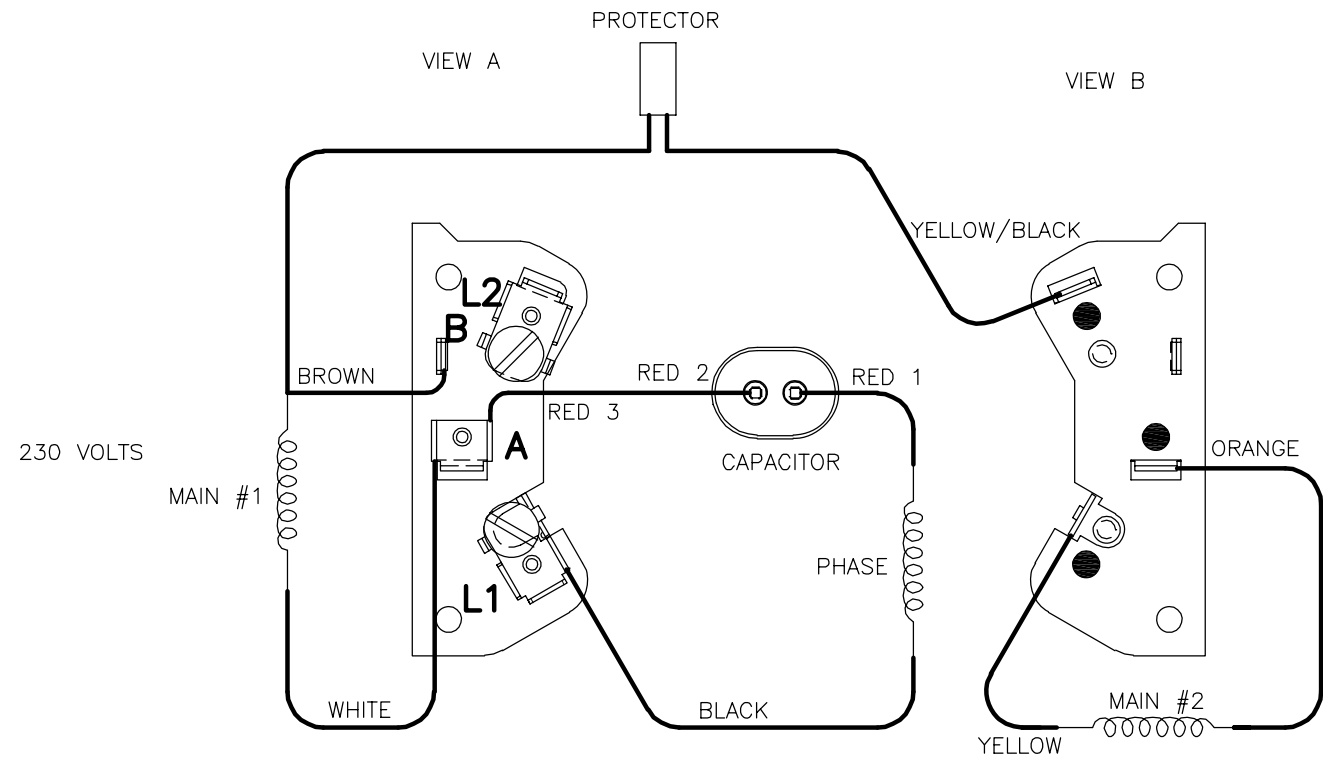
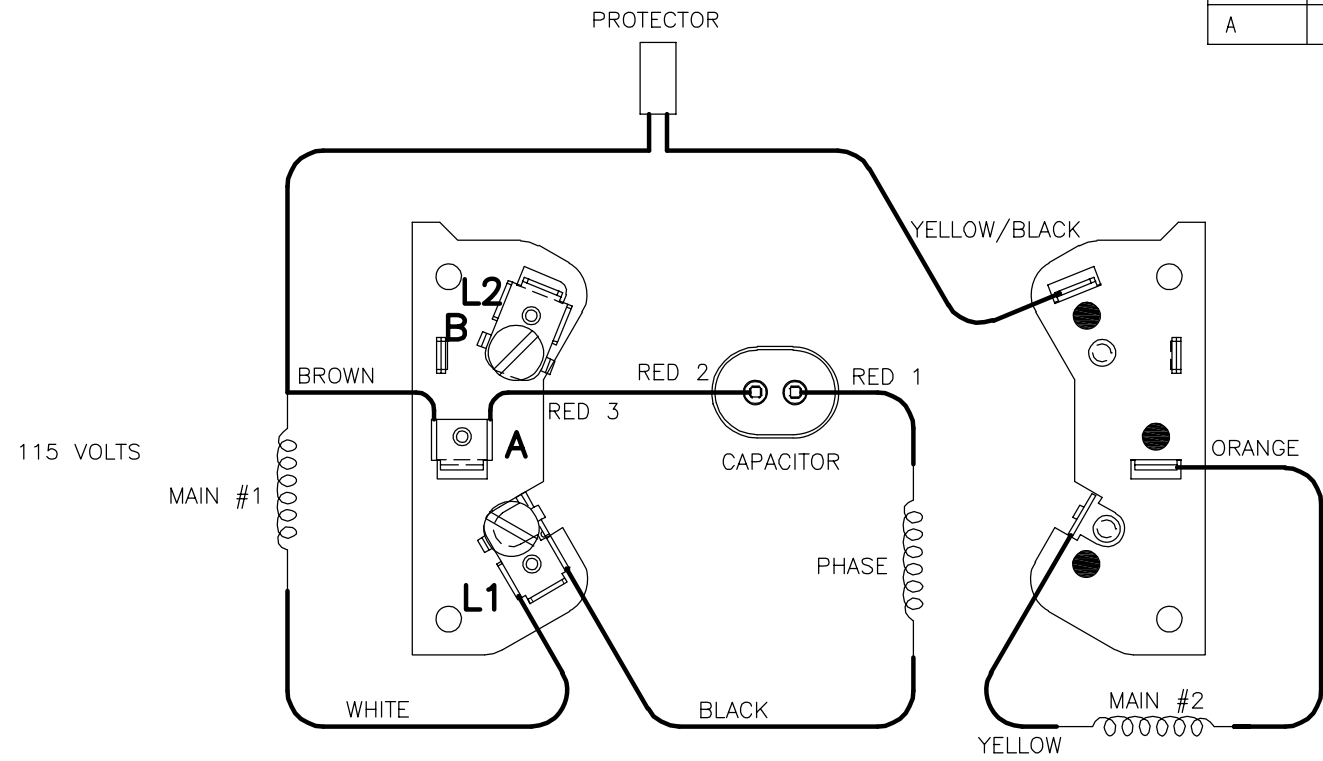
4

3

2

1

REV	ECO	REV BY	DATE	APPD	DATE
A	ECO-0019123	jrupert	02-24-2011	jdoseck	02-24-2011



- NOTES:
1. WHEN CONNECTING ACCORDING TO THE DRAWING, THE ROTATION DIRECTION OF THE MOTOR IS CCWLE.
 2. WHEN THE BLACK LEAD IS CONNECTED TO A AND THE RED LEAD IS CONNECTED TO L1, THE ROTATION DIRECTION IS CWLE.

GEOMETRIC CHARACTERISTICS & SYMBOLS

- ▭ FLATNESS
- STRAIGHTNESS
- ∠ ANGULARITY
- ⊥ PERPENDICULARITY (SQUARENESS)
- // PARALLELISM
- ROUNDNESS (CIRCULARITY)
- ⊘ CYLINDRICITY
- △ PROFILE OF ANY SURFACE
- ∩ PROFILE OF ANY LINE
- ↗ RUNOUT
- ⊕ TRUE POSITION
- ◎ CONCENTRICITY
- ≡ SYMMETRY

UNLESS OTHERWISE SPECIFIED DIM. TOLERANCES ARE AS FOLLOWS:

INCH	±.1	±.02	±.005	±.0005
mm	±0.5	±0.13	±0.013	

ANG. ±.50 DEG
REMOVE BURRS & BREAK SHARP EDGES:
INCH .003-.015 mm 0.1-0.4
CORNER FILLETS TO:
INCH .020 mm 0.5
MACHINE SURFACES:
INCH 125 mm 3.2
METRIC DIMS. SHOWN IN [BRACKETS]

DR BY:	jrupert	02-24-2011
APPD:	jdoseck	02-24-2011
THIRD ANGLE PROJECTION		EDS DATE 02-22-2008 FORMAT REV F
CONFIDENTIAL: THIS DRAWING AND ITS INFORMATION ARE THE EXCLUSIVE AND CONFIDENTIAL PROPERTY OF A.O. SMITH CORP. AND ARE NOT TO BE DISCLOSED, DUPLICATED, DISTRIBUTED OR OTHERWISE USED WITHOUT THE WRITTEN CONSENT OF A.O. SMITH CORP. -ALL RIGHTS RESERVED. ASME Y14.5M 1994		

ACSmith Innovation has a name.		ELECTRICAL PRODUCTS COMPANY A DIVISION OF A. O. SMITH CORPORATION	
DESCRIPTION CONN DIAGRAM-EXTERNAL			
SIZE C	DWG NO D0000313-002	SHEET 1	
SCALE NONE			

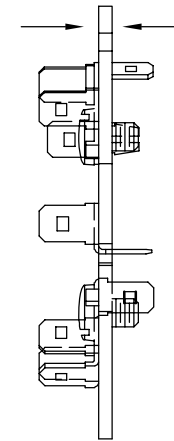
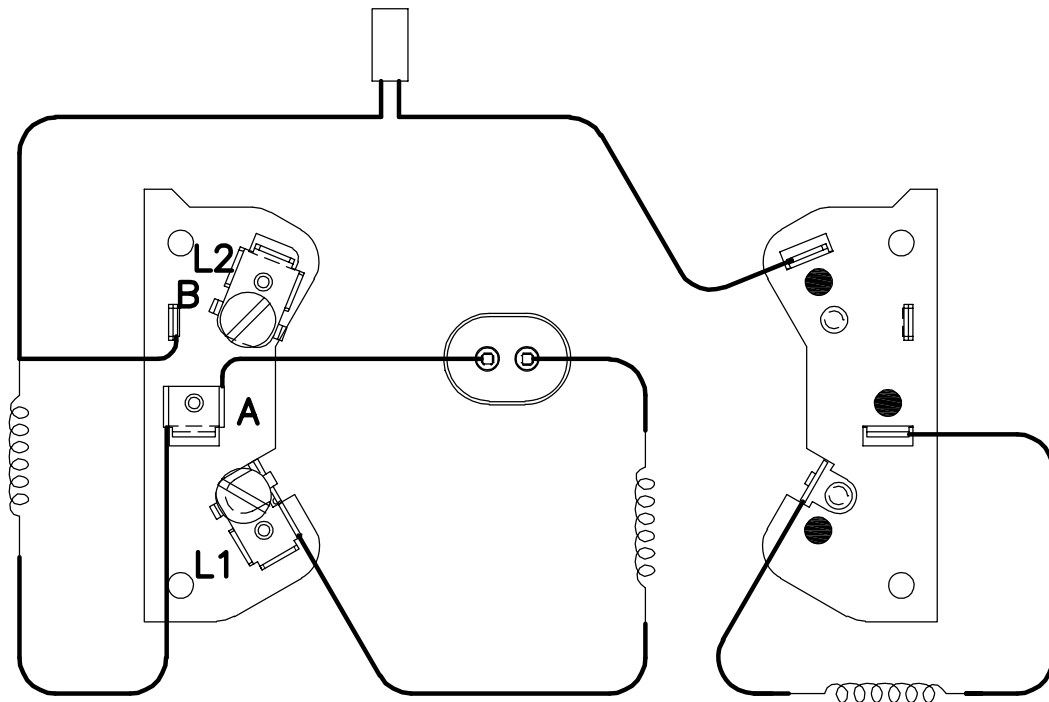
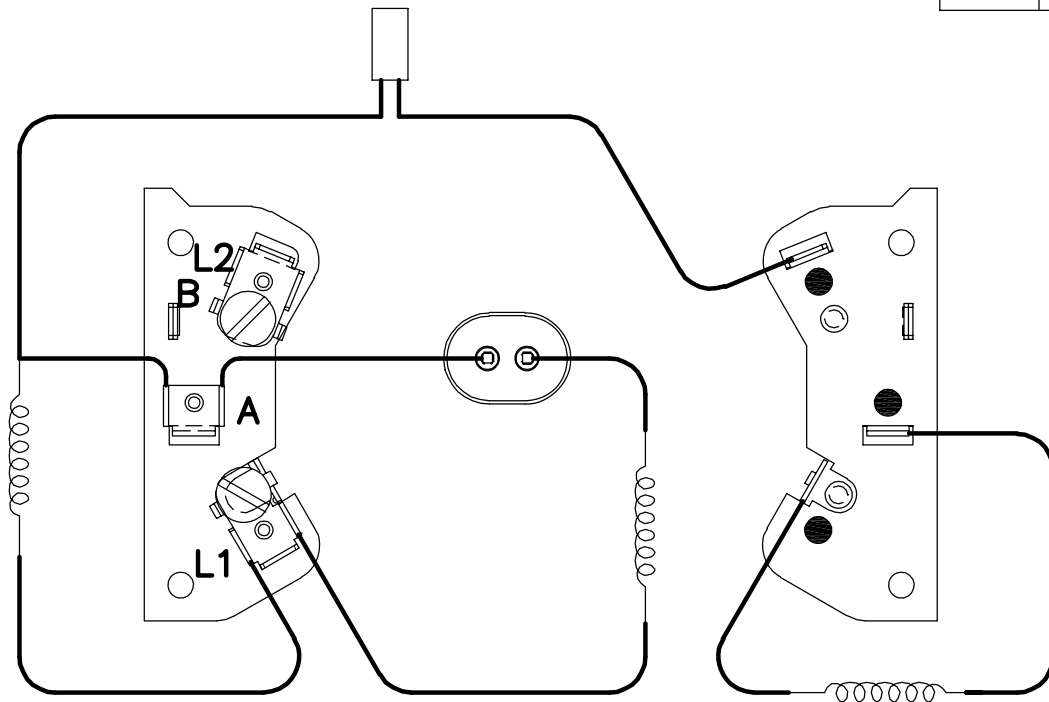
4

3

2

1

REVISION:	ECO	REVISADO POR:	FECHA:	APROBADO POR:	FECHA:
A	ECO-0019123	jrupert	02-24-2011	jdoseck	02-24-2011



CARACTERISTICAS DE GEOMETRIA Y SIMBOLOS

- ▢ PLANICIDAD
- RECTITUD
- ∠ ANGULARIDAD
- ⊥ PERPENDICULARIDAD (A ESCUADRA)
- // PARALELISMO
- REDONDEZ (CIRCULARIDAD)
- ∅ CILINDRICIDAD
- △ PERFIL DE CUALQUIER SUPERFICIE
- ∩ PERFIL DE CUALQUIER LINEA
- ∧ VARIACION
- ⊕ POSICION REAL
- ◎ CONCENTRICIDAD
- = SIMETRIA

A MENOS QUE SE ESPECIFIQUE DE OTRA MANERA, LAS TOLERANCIAS DE LAS DIMS; SON LAS SIGUIENTES:

PULG ±.1 ±.02 ±.005 ±.0005
 mm ±0.5 ±0.13 ±0.013

ANG. ± 50 GRADOS

ELIMINAR REBABAS Y ORILLAS FILOSAS DEL BORDE.

PULG .003-.015 mm 0.1-0.4
 FILETEAR ESQUINA: PULG .020 mm 0.5
 MAQUINAR SUPERFICIES
 PULG 125 mm .32

DIMS METRICAS MOSTRADAS [PARENTESIS]

DIBUJADO POR:	jrupert	02-24-2011
APROBADO POR:	jdoseck	02-24-2011
TERCER ANGULO DE PROYECCION	⊕	FECHA EDS: 02-22-2008 REV. FORMATO: F
CONFIDENCIAL: ESTE DIBUJO Y SU INFORMACION SON PROPIEDAD DE USO EXCLUSIVO Y CONFIDENCIAL DE A.O.SMITH CORP. Y NO DEBERAN SER REVELADOS, DUPLICADOS, DISTRIBUIDOS O USARSE DE OTRA MANERA SIN EL CONSENTIMIENTO ESCRITO DE A.O. SMITH CORP. -TODOS LOS DERECHOS RESERVADOS.ASME Y14.5M 1994		

ACSmith Innovation has a name.		ELECTRICAL PRODUCTS COMPANY A DIVISION OF A. O. SMITH CORPORATION	
DESCRIPCION: CONN DIAGRAM-EXTERNAL			
TAMAÑO: C	NUMERO DE DIBUJO: D0000313-002		
ESCALA: NONE			HOJA: 1

4

3

2

1

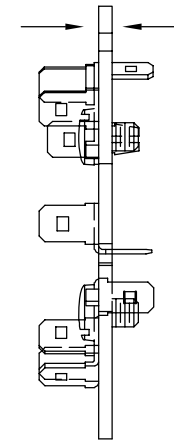
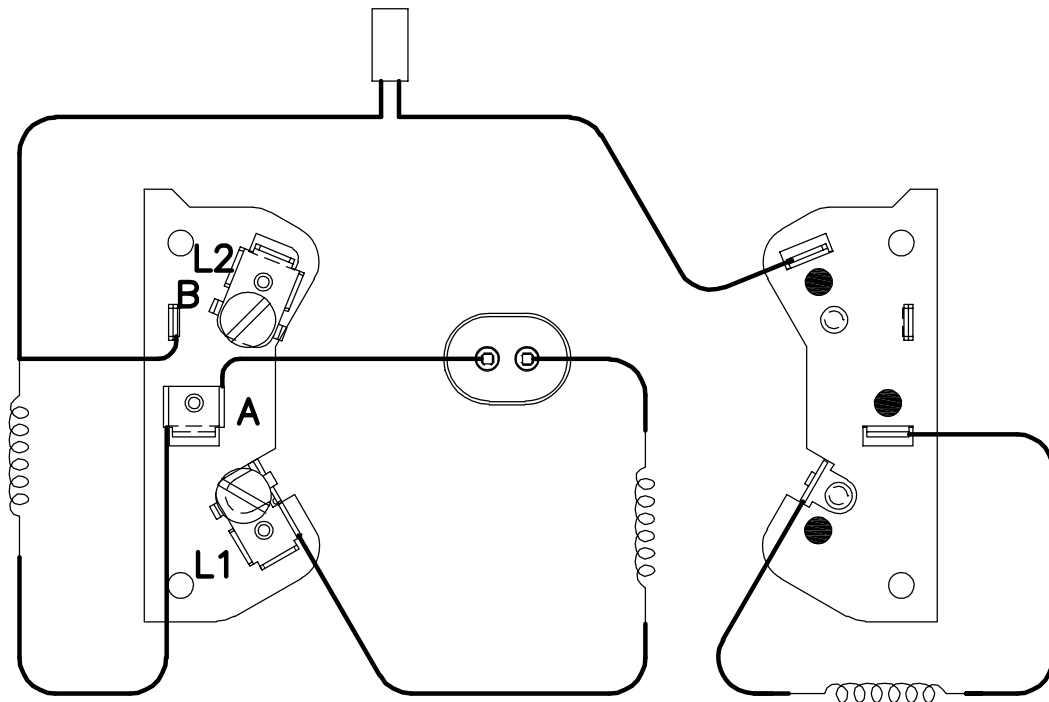
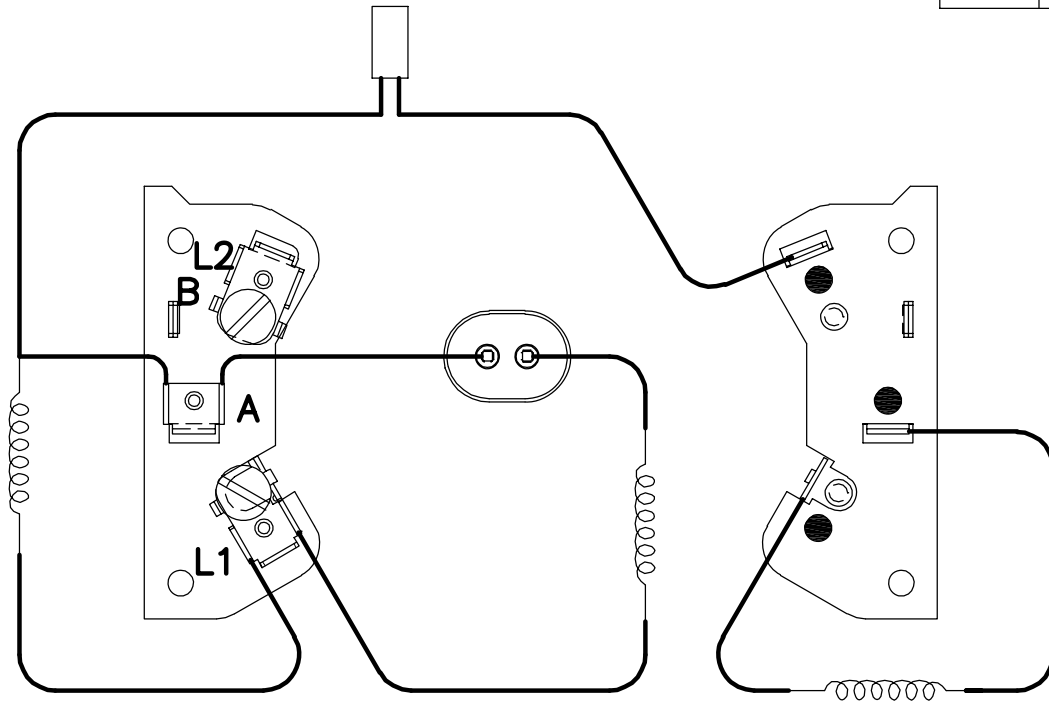
4

3

2

1

版本	ECO	编制	日期	批准	日期
A	ECO-0019123	jrupert	02-24-2011	jdoseck	02-24-2011



形位公差
□ 平面度
— 直线度
∠ 倾斜度
⊥ 垂直度
// 平行度
○ 圆度
⊘ 圆柱度
△ 面轮廓度
∇ 线轮廓度
∩ 圆跳动
⊕ 位置度
⊙ 同轴度
≡ 对称度

除另有注明 尺寸公差如下:
英寸 X XX XXX XXXX
毫米 ±0.1 ±0.02 ±0.005 ±0.0005
毫米 ±0.5 ±0.13 ±0.013
角度 ±.50 度
清理毛刺和尖棱
英寸 .003-.015 毫米 0.1-0.4
内圆角
英寸 .020 毫米 0.5
表面粗糙度
英制 125 米制 3.2
米制尺寸显示在 []

绘图:	jrupert	02-24-2011
批准:	jdoseck	02-24-2011
第三角投影		图纸格式发布日期 02-22-2008 图纸格式版本 F
机密: 本图纸及相关信息所有权归A. O. SMITH公司所有。 未经A. O. SMITH公司书面授权, 不得泄露、复制、传播或作 其他用途。—版权所有		
ASME Y14.5M 1994		

ACSmith Innovation has a name.		ELECTRICAL PRODUCTS COMPANY A DIVISION OF A. O. SMITH CORPORATION	
名称 CONN DIAGRAM-EXTERNAL			
图幅 C	图号 D0000313-002		比例 NONE
			页号 1

4

3

2

1